

TOGGLE CLAMPS,
MANUAL AND
PNEUMATIC



WE GENERATE EXCITEMENT.

Since its founding by Andreas Maier in 1890, our company has lived through many exciting times. Today we are the leading manufacturer in Europe, supplying over 5,000 different products from the fields of clamping, hand tools and locks. With this extensive product range we can meet all of our customers' needs and requirements. But providing optimal quality means meeting the challenges at all levels: Expert consultation, modern team organisation, individual solutions (including special developments), flexibility in response to changing conditions, etc. And we ourselves find this so exciting that we look forward every day to shaping the market together with our employees and our customers – both now and in the future. That is something you can count on.



THE AMF SERVICE GUARANTEE

> Assuredly on the way to the top

COMPANY HISTORY

- 1890** Company founded as a lock manufacturer by Andreas Maier.
- 1920** Product range extended to include spanners.
- 1928** Production line assembly of „Fellbach locks“.
- 1951** AMF introduces clamping elements and diversifies into workpiece and tool clamping technology.
- 1965** Toggle clamps extend the AMF product range. AMF catalogues are now printed in ten languages.
- 1975** Further specialisation into hydraulic clamping technology.
- 1982** Clamping and fixture systems round off AMF's clamping expertise.
- 1996** AMF team organisation in all sectors of the business. Quality management with certification to ISO 9001.
- 2001** AMF Service Guarantee for all products.
- 2004** Introduction of the ZPS zero-point clamping system.
- 2007** The magnetic clamping technology extends the AMF product range.
- 2009** Development and marketing of AMF Vacuum clamping technology
- 2012** Marking and cleaning tools included in the AMF product range.

5 Individual development

And if the product you need doesn't exist? Just ask us: We will find the best solution for you – whether it is a special version or a completely new development.

4 Warranty

We stand by our high quality standards. We handle customer complaints very liberally and without red tape – whenever possible even after the end of the warranty period.

3 Guaranteed quality standard

AMF stands for manufacturing in-house with the utmost care. A tradition we have upheld since 1890 – and naturally for many years now with a modern quality management system to ISO 9001.

2 Short delivery times

AMF's finished goods inventory with over 5,000 items guarantees a delivery readiness of 98%. You can also count on each warehouse item you order being shipped to you on the same day.

1 Service from genuine experts

„Different tasks, different solutions. In AMF's professional product range, you can find the right solution quickly and reliably: either from your local dealer or with help from the specialists in our teams. A phone call is all it takes.“

E Made in Germany

It goes without saying that our range of products is developed and manufactured by our team of employees in Germany.

VERTICAL TOGGLE CLAMP		10 - 25
HORIZONTAL TOGGLE CLAMP		26 - 37
PUSH-PULL TYPE TOGGLE CLAMPS		38 - 51
HOOK TYPE TOGGLE CLAMPS		52 - 59
TOGGLE CLAMPS WITH SAFETY LATCH		60 - 77
STAINLESS STEEL TOGGLE CLAMPS		78 - 98
VARIABLE TOGGLE CLAMPS		99 - 102
BLACK TOGGLE CLAMPS FOR OPTICAL MEASUREMENT TECHNOLOGY		103 - 115
PNEUMATIC TOGGLE CLAMPS, AUTOMATION CLAMPS PNEUMATIC SWING CLAMPS		116 - 145
ACCESSORIES		146 - 155



PNEUMATIC CLAMP WITH LEVER

No. 6828H, page 131



NEW!

U-WASHER

No. 6887 and No. 6887B, page 152



NEW!

CLAMPING ARM EXTENSION

No. 6899, page 153



PNEUMATIC CLAMP

No. 6821A, page 121

CLAMPING SCREW

No. 6876, page 149



NEW!



ROTATABLE BASE UNIT

No. 6898V, page 147

CLAMPING SCREW

No. 6875, page 149



NEW!

**NOW AVAILABLE IN
NEW COLOURS!**



> ADVANTAGES OF „TOGGLE“ PRINCIPLE

- > Large and quick opening.
- > Clearing the workpieces completely for unimpeded handling of work.
- > Large power transmission. Minimum operating effort giving maximum clamping force.
- > The clamps are self-arresting, they remain locked, resisting the force produced when machining components.

> APPLICATIONS

A wide range of uses can be found for these AMF toggle clamps owing to their favourable power to movement ratio, and their easy action. These versatile clamps can be used in the metal working industry when drilling, welding, bending, grinding, testing and fitting, as well as in the wood and plastic industry in glueing, drilling, cutting and milling jigs.

> QUALITY FEATURES

To rationalize effectively, a design should be selected which will function for many years. AMF toggle clamps are equipped with ample dimensioned rivets which are moving in case-hardened bushes (with exception of size 0 and 1 for space reasons). All parts are galvanized prior to assembly. The tempered and galvanized clamping screw (strength class 8.8) is quickly adjustable by the T-slot nut or the special nut. Certain toggle clamps are also available in STAINLESS STEEL versions. Please see pages 78 to 98.

AMF toggle clamps are designed for ambient temperatures from -10°C to +80°C and are free of paint-wetting impairment substances.

> DESIGN AND SERVICE LIFE

Due to the different applications the design is of importance. Besides our high quality standard types extra heavy duty toggle clamps no. 6811P and no. 6812P are available.

> FORCES WITH HAND- AND PNEUMATIC TOGGLE CLAMPS

The selection of the correct toggle clamp size depends on the required clamping forces (refer to specification tables). The forces are shown in kN and one should distinguish between:

- Holding force F1 or F2
- Clamping force F3 or F4
- Piston force F5 (6 bar air pressure)

> THE CLAMPING FORCE

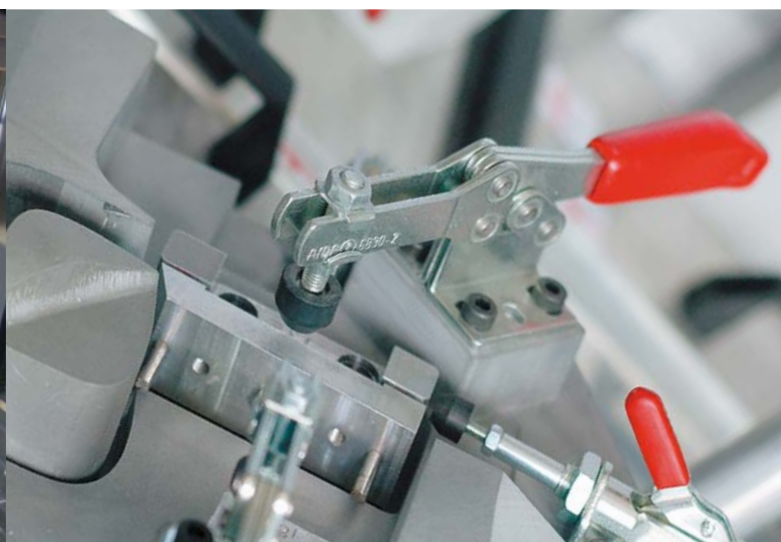
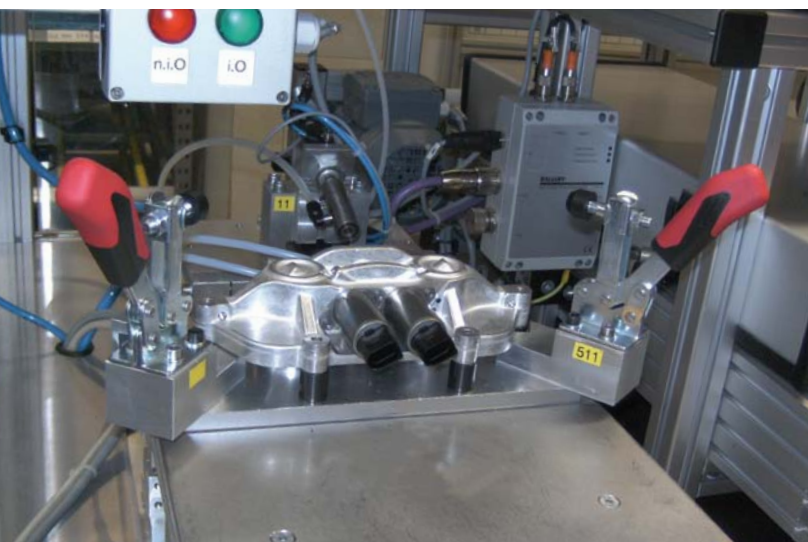
is the force applied when closing the clamp, measured between the arms and the component. As opposed to the pneumatic toggle clamps the clamping forces of manual clamps can not be correctly formulated as it is dependent on the operator.

> THE HOLDING FORCE

is the force the closed arm transmits to the workpiece, without itself being deformed when machine forces apply. When maximum force is reached, the hinged point goes over the dead centre, thereby insuring, that the action is locked and cannot be released until such time as the handle is returned to its original position.

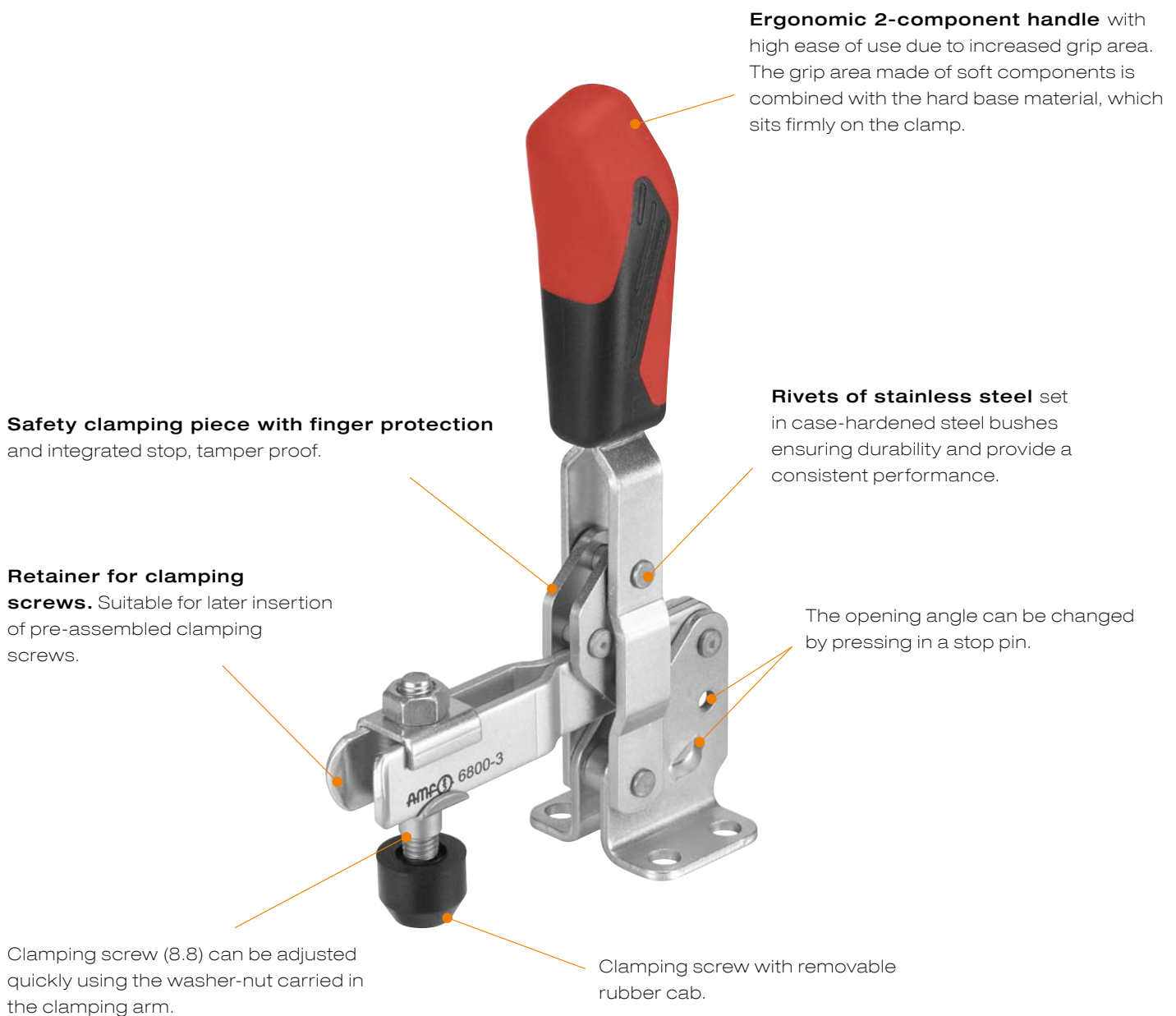
> MOUNTING POSSIBILITIES

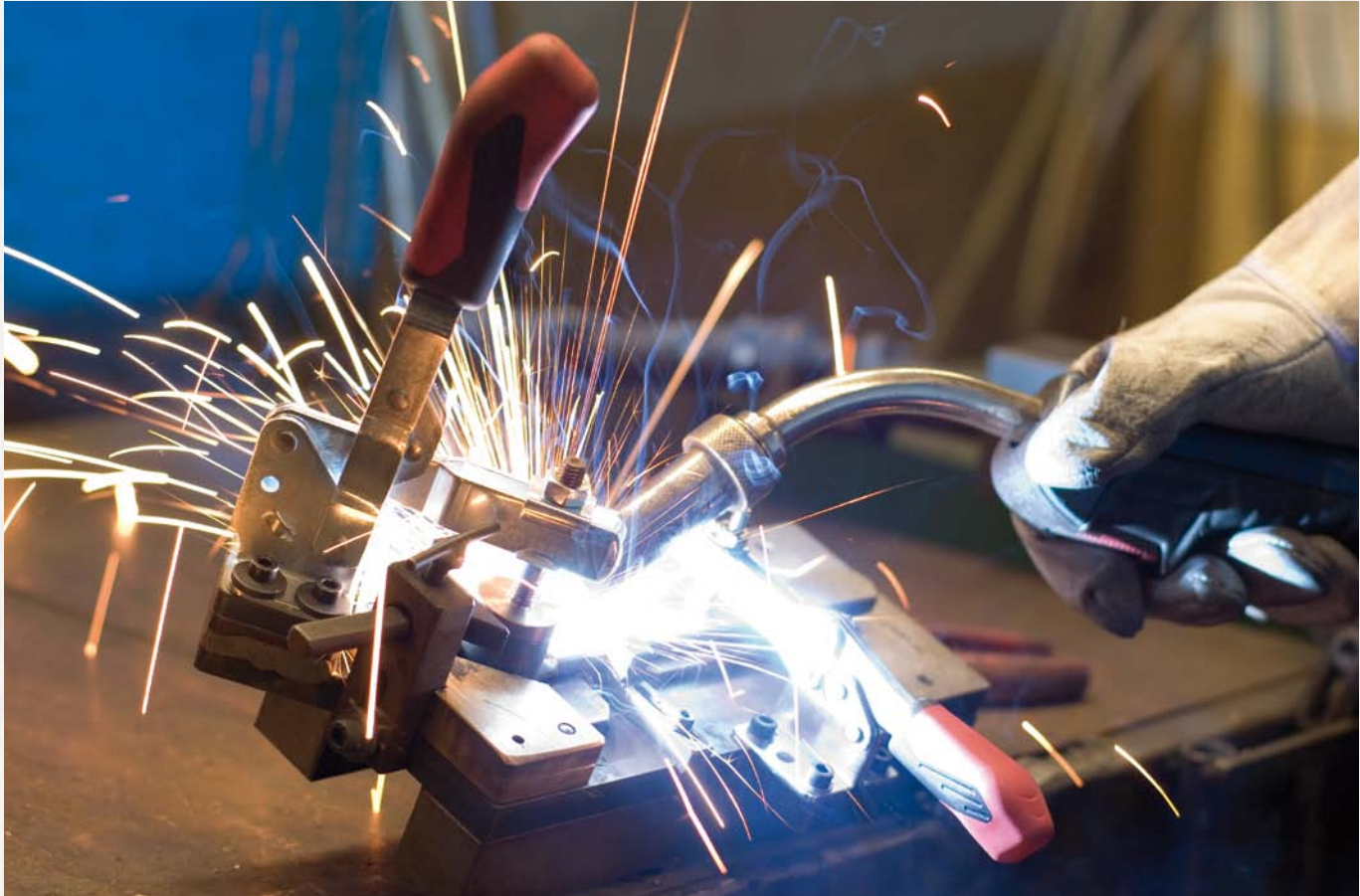
The base are offered in three versions: toggle clamps with horizontal base, vertical base (preferably used on welded construction and on webs) and toggle clamps with angel base for front mounting. With all toggle clamps the clamping screws are included in the price. Large quantities can be supplied without clamping screw if required.



THE FEATURES OF OUR TOGGLE CLAMPS AT A GLANCE

- > Ergonomic two-component handle
- > Safety clamping piece with finger protection
- > Retainer for clamping screws.
- > Stainless steel rivets
- > Removable rubber cap





Subject to technical alterations.



KINEMATIC CONNECTIONS COLLISION ANALYSIS

AMF offers you native CAD files with active, kinematically parameterised sub-assemblies for the SolidWorks, Unigraphics, Inventor and Catia V5 systems.

There is no need to install any plug-ins on your system. After opening, the sub-assemblies act as if they were equipped with kinematic links in your program.

SUB-ASSEMBLY PARTS LIST STRUCTURE

Once one had to work with rigid, inflexible overall models. Now, sub-assemblies are used whose elements can be selected individually and so are movable. The change of a stroke, for example, can in this way also be done by users of other CAD systems with a few mouse clicks.

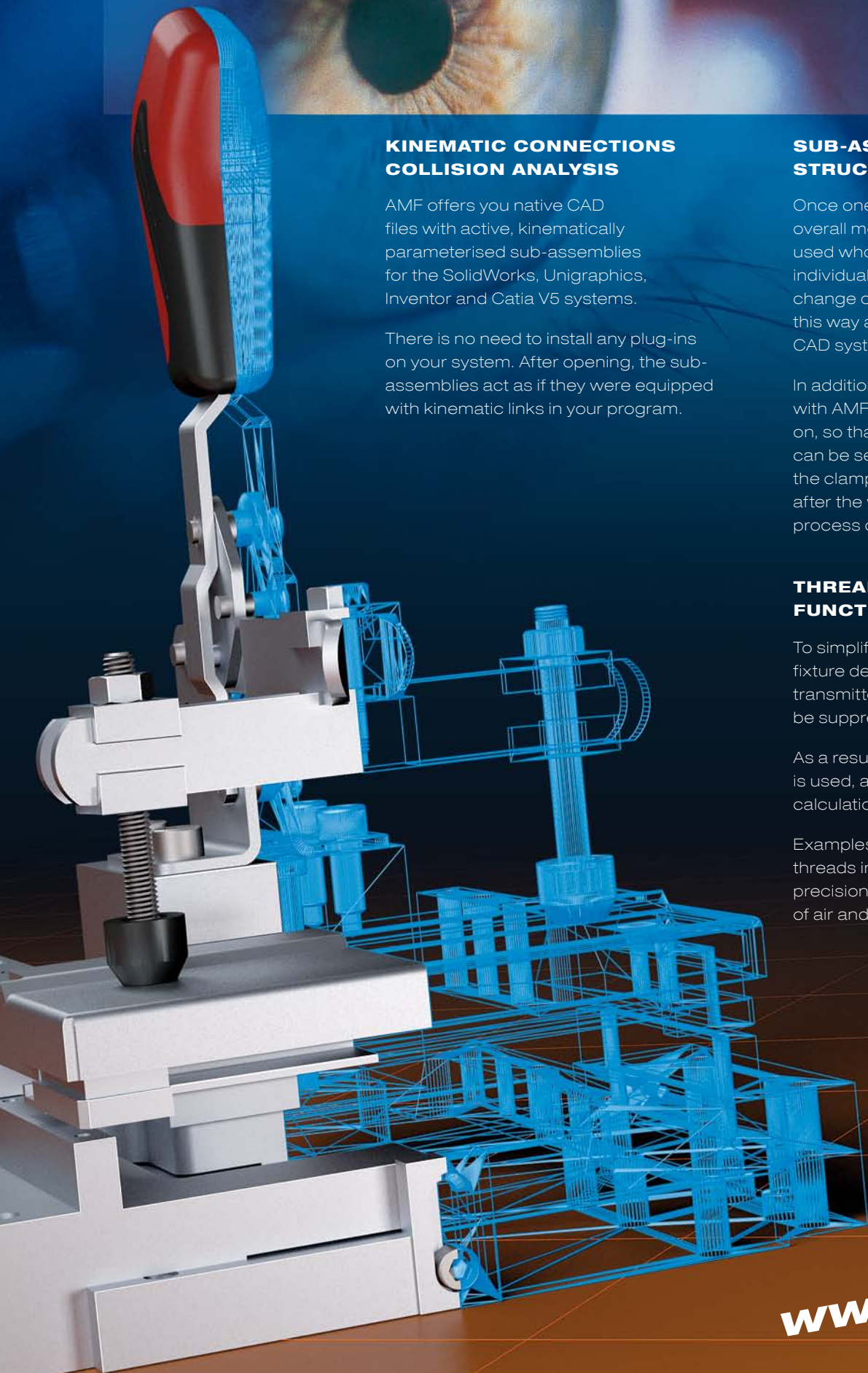
In addition, the complete structure tree with AMF order numbers is passed on, so that accessories in the system can be selected and combined with the clamping elements. As a result, after the work is done, the order process can be triggered directly.

THREAD DEPICTION SAMPLE FUNCTIONS

To simplify and speed up the work of the fixture designer, sample functions are transmitted with the data, which can then be suppressed individually if not used.

As a result, less system performance is used, and functions such as rotating, calculations, etc. are markedly faster.

Examples for this are modelled-out threads in the volume model for more precision as well as colour marking of air and hydraulic connections.



www.amf.de

No. 6800

Vertical toggle clamp with red handle

with open clamping arm and horizontal base.

Galvanized and passivated. Rivets made of stainless steel, which, for sizes 2 to 6, run in hardened bushings. Bearings are pre-lubricated.

Ergonomic, oil-resistant handle with large grip surface and soft components. Safety clamping piece with finger protection, lock washer for the thrust bolt at the end of the clamping arm.

Complete with tempered, galvanized clamping screw no. 6890.



Order no.	Size	F1 [kN]	F2 [kN]	Clamping screw	Weight [g]
90001	0	0,5	0,7	M 4x 25	60
90019	1	0,6	1,1	M 5x 30	105
90027	2	0,8	1,2	M 6x 35	175
90035	3	1,2	2,5	M 8x 45	410
90043	4	1,7	3,0	M 8x 65	630
90050	5	3,0	5,0	M12x 80	1480
90068	6	3,4	5,5	M12x110	2200

Also available in „STAINLESS STEEL“ version (no. 6800NI) and in matte-black version (no. 6800B)!

No. 6800Y

Vertical toggle clamp with yellow handle

NEW!



Order no.	Size	F1 [kN]	F2 [kN]	Clamping screw	Weight [g]
557009	0	0,5	0,7	M 4x 25	60
557010	1	0,6	1,1	M 5x 30	105
557011	2	0,8	1,2	M 6x 35	175
557012	3	1,2	2,5	M 8x 45	410
557013	4	1,7	3,0	M 8x 65	630
557014	5	3,0	5,0	M12x 80	1480
557015	6	3,4	5,5	M12x110	2200

Also available in „STAINLESS STEEL“ version (no. 6800NIY).

No. 6800J

Vertical toggle clamp with orange handle

NEW!



Order no.	Size	F1 [kN]	F2 [kN]	Clamping screw	Weight [g]
557301	0	0,5	0,7	M 4x 25	60
557302	1	0,6	1,1	M 5x 30	105
557303	2	0,8	1,2	M 6x 35	175
557304	3	1,2	2,5	M 8x 45	410
557305	4	1,7	3,0	M 8x 65	630
557306	5	3,0	5,0	M12x 80	1480
557307	6	3,4	5,5	M12x110	2200

Also available in „STAINLESS STEEL“ version (no. 6800NIJ).

No. 6800E

Vertical toggle clamp with blue handle

NEW!



Order no.	Size	F1 [kN]	F2 [kN]	Clamping screw	Weight [g]
557615	0	0,5	0,7	M 4x 25	60
557616	1	0,6	1,1	M 5x 30	105
557617	2	0,8	1,2	M 6x 35	175
557618	3	1,2	2,5	M 8x 45	410
557619	4	1,7	3,0	M 8x 65	630
557620	5	3,0	5,0	M12x 80	1480
557621	6	3,4	5,5	M12x110	2200

Also available in „STAINLESS STEEL“ version (no. 6800NIE).

Subject to technical alterations.

No. 6800G

Vertical toggle clamp with green handle

NEW!



Order no.	Size	F1 [kN]	F2 [kN]	Clamping screw	Weight [g]
557465	0	0,5	0,7	M 4x 25	60
557466	1	0,6	1,1	M 5x 30	105
557467	2	0,8	1,2	M 6x 35	175
557468	3	1,2	2,5	M 8x 45	410
557469	4	1,7	3,0	M 8x 65	630
557470	5	3,0	5,0	M12x 80	1480
557471	6	3,4	5,5	M12x110	2200

Also available in „STAINLESS STEEL“ version (no. 6800NIG).

No. 6800T

Vertical toggle clamp with black handle

NEW!



Order no.	Size	F1 [kN]	F2 [kN]	Clamping screw	Weight [g]
557963	0	0,5	0,7	M 4x 25	60
557964	1	0,6	1,1	M 5x 30	105
557965	2	0,8	1,2	M 6x 35	175
557966	3	1,2	2,5	M 8x 45	410
557967	4	1,7	3,0	M 8x 65	630
557968	5	3,0	5,0	M12x 80	1480
557969	6	3,4	5,5	M12x110	2200

Also available in „STAINLESS STEEL“ version (no. 6800NIT).

Recommendations



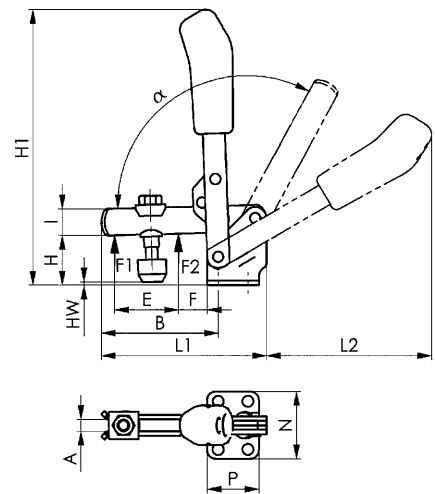
No. 6895,
page 154



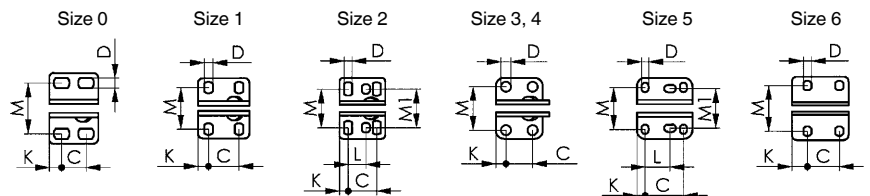
No. 6892,
page 152



No. 6800S,
page 60



CAD



Dimensions:

Size	A	B	C	D	E	F	H	H1	HW min.	HW max.	I	K	L	L1	L2	M	M1	N	P	α	α^*
0	4	31,0	8,5-13,5	4,5	14	5,5	18,0	81,0	-1,5	3,5	8	5,5	-	49	50	23,0	-	32	22	95°	-
1	5	39,0	16,0	4,5	18	6,0	19,0	98,5	-4,0	2,0	10	5,5	-	61	59	22,5-26,0	-	34	27	95°	-
2	6	52,0	20,0	5,5	25	11,0	23,0	139,5	-3,0	4,5	12	6,0	12,5	78	89	23,0-31,0	27	43	32	105°	60°
3	8	79,0	20,0	7,5	37	19,0	33,0	186,0	2,0	11,0	18	7,5	-	112	112	32,5	-	46	35	105°	60°
4	10	101,0	32,0	8,6	54	16,0	42,5	221,0	-6,0	22,5	20	13,0	-	141	130	43,5-46,5	-	64	53	105°	60°
5	14	140,0	45,0	8,5	73	34,0	55,8	281,0	-3,0	27,5	25	9,5	26,5-31,5	195	185	45,0-50,0	45	70	65	115°	60°
6	14	165,5	50,5	13,0	89	28,0	81,0	333,0	-2,5	55,0	30	24,5	-	231	206	67,5-72,5	-	100	90	140°	60°

* The opening angle can be changed by pressing in a stop pin.

Subject to technical alterations.

No. 6802

Vertical toggle clamp with red handle

with open clamping arm and vertical base.

Galvanized and passivated. Rivets made of stainless steel, which, for sizes 2 to 6, run in hardened bushings. Bearings are pre-lubricated.

Ergonomic, oil-resistant handle with large grip surface and soft components. Safety clamping piece with finger protection. Lock washer for the thrust bolt at the end of the clamping arm.

Complete with tempered, galvanized clamping screw no. 6890.



Order no.	Size	F1 [kN]	F2 [kN]	Clamping screw	Weight [g]
90217	1	0,6	1,1	M 5x 30	105
90225	2	0,8	1,2	M 6x 35	175
90233	3	1,2	2,5	M 8x 45	410
90241	4	1,7	3,0	M 8x 65	630
90258	5	3,0	5,0	M12x 80	1480
90266	6	3,4	5,5	M12x110	2200

Also available in matte-black version (no. 6802B)!

No. 6802Y

Vertical toggle clamp with yellow handle

NEW!



Order no.	Size	F1 [kN]	F2 [kN]	Clamping screw	Weight [g]
557018	1	0,6	1,1	M 5x 30	105
557019	2	0,8	1,2	M 6x 35	175
557020	3	1,2	2,5	M 8x 45	410
557021	4	1,7	3,0	M 8x 65	630
557022	5	3,0	5,0	M12x 80	1480
557023	6	3,4	5,5	M12x110	2200

No. 6802J

Vertical toggle clamp with orange handle

NEW!



Order no.	Size	F1 [kN]	F2 [kN]	Clamping screw	Weight [g]
557310	1	0,6	1,1	M 5x 30	105
557311	2	0,8	1,2	M 6x 35	175
557312	3	1,2	2,5	M 8x 45	410
557313	4	1,7	3,0	M 8x 65	630
557314	5	3,0	5,0	M12x 80	1480
557315	6	3,4	5,5	M12x110	2200

No. 6802E

Vertical toggle clamp with blue handle

NEW!



Order no.	Size	F1 [kN]	F2 [kN]	Clamping screw	Weight [g]
557622	1	0,6	1,1	M 5x 30	105
557623	2	0,8	1,2	M 6x 35	175
557624	3	1,2	2,5	M 8x 45	410
557625	4	1,7	3,0	M 8x 65	630
557626	5	3,0	5,0	M12x 80	1480
557627	6	3,4	5,5	M12x110	2200

Subject to technical alterations.

No. 6802G

Vertical toggle clamp with green handle

NEW!



Order no.	Size	F1 [kN]	F2 [kN]	Clamping screw	Weight [g]
557472	1	0,6	1,1	M 5x 30	105
557473	2	0,8	1,2	M 6x 35	175
557474	3	1,2	2,5	M 8x 45	410
557475	4	1,7	3,0	M 8x 65	630
557476	5	3,0	5,0	M12x 80	1480
557477	6	3,4	5,5	M12x110	2200

No. 6802T

Vertical toggle clamp with black handle

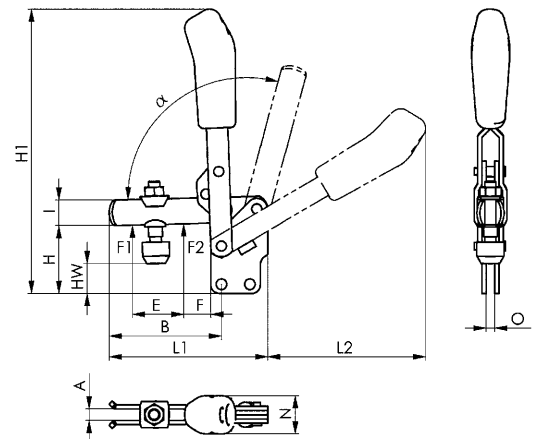
NEW!



Order no.	Size	F1 [kN]	F2 [kN]	Clamping screw	Weight [g]
557970	1	0,6	1,1	M 5x 30	105
557971	2	0,8	1,2	M 6x 35	175
557972	3	1,2	2,5	M 8x 45	410
557973	4	1,7	3,0	M 8x 65	630
557974	5	3,0	5,0	M12x 80	1480
557975	6	3,4	5,5	M12x110	2200



CAD



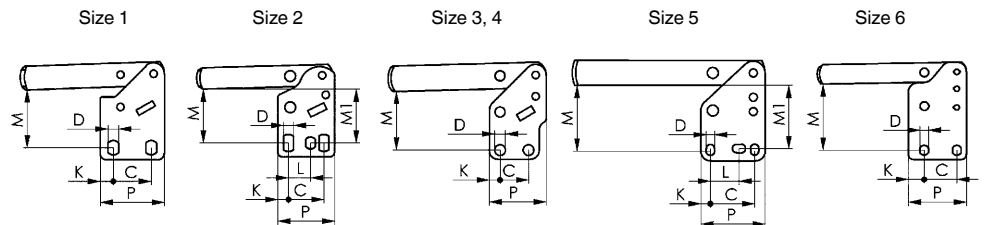
Recommendations



No. 6891,
page 151



No. 6802S,
page 62



Dimensions:

Size	A	B	C	D	E	F	H	H1	HW min.	HW max.	I	K	L	L1	L2	M	M1	N	O	P	α	α*
1	5	39	16,0	4,5	18	6	29	109,0	6,0	12,5	10	5,5	-	61	59	23,5-25,0	-	19	5	27	95°	-
2	6	52	20,0	5,5	25	11	38	144,5	11,5	19,5	12	6,0	12,5	78	80	28,5-32,0	30	21	5	32	105°	60°
3	8	79	20,0	7,5	36	19	48	200	16,5	25,0	18	7,5	-	112	114	41,0	-	27	6	40	105°	60°
4	10	101	32,0	8,6	54	16	65	244	16,5	45,5	20	13,0	-	141	130	55,5	-	35	8	53	105°	60°
5	14	140	45,0	8,5	72	35	77	301	18,0	49,0	25	9,5	26,5-31,5	195	183	66,0	64	45	10	65	115°	60°
6	14	165	50,5	13,0	89	28	117	369	33,0	90,5	30	24,5	-	231	206	102,0	-	45	10	90	140°	60°

* The opening angle can be changed by pressing in a stop pin.

Subject to technical alterations.

No. 6803

Vertical toggle clamp with red handle

with open clamping arm and angle base.

Galvanized and passivated. Rivets made of stainless steel, which, for sizes 2 and 3, run in hardened bushings. Bearings are pre-lubricated.

Ergonomic, oil-resistant handle with large grip surface and soft components. Safety clamping piece with finger protection. Lock washer for the thrust bolt at the end of the clamping arm.

Complete with tempered, galvanized clamping screw no. 6890.



Order no.	Size	F1 [kN]	F2 [kN]	Clamping screw	Weight [g]
90316	1	0,8	1,1	M5x30	125
90324	2	1,0	1,2	M6x35	220
90332	3	1,4	2,5	M8x45	400
90340	4	2,0	3,0	M8x65	650

Also available in „STAINLESS STEEL“ version (no. 6803NI).

No. 6803Y

Vertical toggle clamp with yellow handle

NEW!



Order no.	Size	F1 [kN]	F2 [kN]	Clamping screw	Weight [g]
557024	1	0,8	1,1	M5x30	125
557025	2	1,0	1,2	M6x35	220
557026	3	1,4	2,5	M8x45	400
557027	4	2,0	3,0	M8x65	650

Also available in „STAINLESS STEEL“ version (no. 6803NIY).

No. 6803J

Vertical toggle clamp with orange handle

NEW!



Order no.	Size	F1 [kN]	F2 [kN]	Clamping screw	Weight [g]
557318	1	0,8	1,1	M5x30	125
557319	2	1,0	1,2	M6x35	220
557320	3	1,4	2,5	M8x45	400
557321	4	2,0	3,0	M8x65	650

Also available in „STAINLESS STEEL“ version (no. 6803NIJ).

No. 6803E

Vertical toggle clamp with blue handle

NEW!



Order no.	Size	F1 [kN]	F2 [kN]	Clamping screw	Weight [g]
557630	1	0,8	1,1	M5x30	125
557631	2	1,0	1,2	M6x35	220
557632	3	1,4	2,5	M8x45	400
557633	4	2,0	3,0	M8x65	650

Also available in „STAINLESS STEEL“ version (no. 6803NIE).

Subject to technical alterations.

No. 6803G

Vertical toggle clamp with green handle

NEW!



Order no.	Size	F1 [kN]	F2 [kN]	Clamping screw	Weight [g]
557479	1	0,8	1,1	M5x30	125
557480	2	1,0	1,2	M6x35	220
557481	3	1,4	2,5	M8x45	400
557482	4	2,0	3,0	M8x65	650

Also available in „STAINLESS STEEL“ version (no. 6803NIG).

No. 6803T

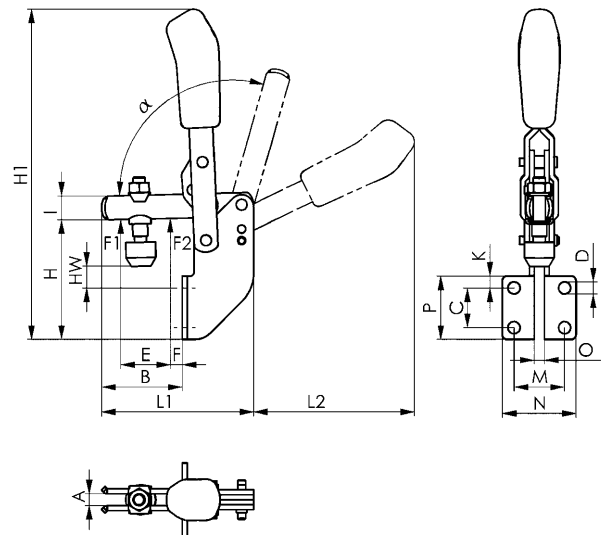
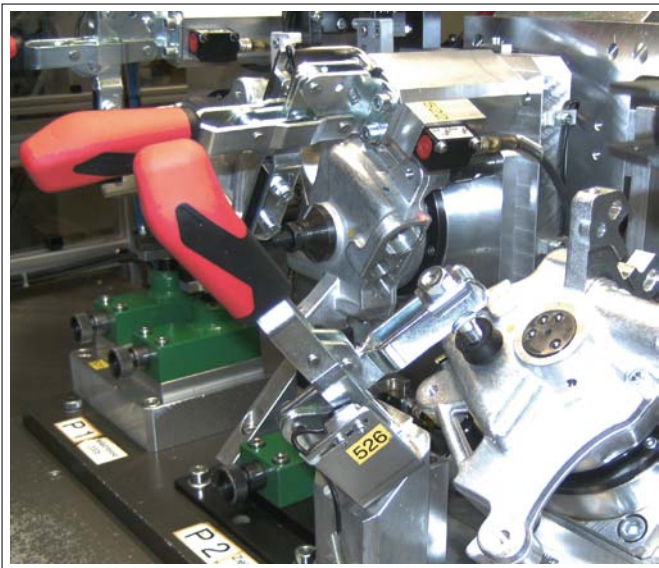
Vertical toggle clamp with black handle

NEW!



Order no.	Size	F1 [kN]	F2 [kN]	Clamping screw	Weight [g]
557977	1	0,8	1,1	M5x30	125
557978	2	1,0	1,2	M6x35	220
557979	3	1,4	2,5	M8x45	400
557980	4	2,0	3,0	M8x65	650

Also available in „STAINLESS STEEL“ version (no. 6803NIT).



Recommendations



No. 6895,
page 154



No. 6896,
page 153



No. 6803S,
page 64

Dimensions:

Size	A	B	C	D	E	F	H	H1	HW min.	HW max.	I	K	L1	L2	M	N	O	P	α	α^*
1	5	34,5	14	4,5	18	7	45	125	2,5	9,0	10	10	61	58	20,0	30,0	5	30	98°	-
2	6	41,0	20	6,1	25	6	60	167	7,5	15,5	12	6	77	81	25,5	37,0	5	32	105°	60°
3	8	63,0	24	6,5	37	11	71	223	9,0	17,5	18	7	111	112	28,5	42,5	6	38	105°	60°
4	10	84,0	32	8,5	54	11	102	280	11,0	40,0	20	54	141	129	32,0	52,0	8	96	105°	60°

* The opening angle can be changed by pressing in a stop pin.

Subject to technical alterations.

No. 6804

Vertical toggle clamp with red handle with solid arm and horizontal base.

Galvanized and passivated.

Stainless steel rivets, which run in hardened bushes. Bearings are pre-lubricated.

Ergonomic, oil-resistant handle with large grip surface and soft components. Safety clamping piece with finger protection.

Complete with tempered, galvanized clamping screw no. 6885 and sleeve to weld on.



Order no.	Size	F1 [kN]	F2 [kN]	Clamping screw	Weight [g]
90431	3	1,4	2,5	M8x45	340
90449	4	2,0	3,0	M8x65	585
90456	5	3,0	5,0	M12x80	1480
90464	6	3,5	5,5	M12x110	2200

No. 6804Y

Vertical toggle clamp with yellow handle

NEW!



Order no.	Size	F1 [kN]	F2 [kN]	Clamping screw	Weight [g]
557028	3	1,4	2,5	M8x45	340
557029	4	2,0	3,0	M8x65	585
557030	5	3,0	5,0	M12x80	1480
557031	6	3,5	5,5	M12x110	2200

No. 6804J

Vertical toggle clamp with orange handle

NEW!



Order no.	Size	F1 [kN]	F2 [kN]	Clamping screw	Weight [g]
557322	3	1,4	2,5	M8x45	340
557323	4	2,0	3,0	M8x65	585
557324	5	3,0	5,0	M12x80	1480
557325	6	3,5	5,5	M12x110	2200

No. 6804E

Vertical toggle clamp with blue handle

NEW!



Order no.	Size	F1 [kN]	F2 [kN]	Clamping screw	Weight [g]
557635	3	1,4	2,5	M8x45	340
557636	4	2,0	3,0	M8x65	585
557637	5	3,0	5,0	M12x80	1480
557638	6	3,5	5,5	M12x110	2200

Subject to technical alterations.

No. 6804G

Vertical toggle clamp with green handle

NEW!



Order no.	Size	F1 [kN]	F2 [kN]	Clamping screw	Weight [g]
557483	3	1,4	2,5	M8x45	340
557484	4	2,0	3,0	M8x65	585
557485	5	3,0	5,0	M12x80	1480
557486	6	3,5	5,5	M12x110	2200

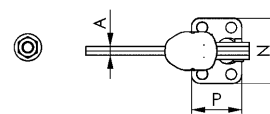
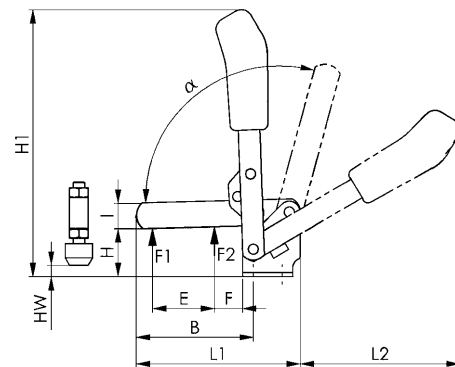
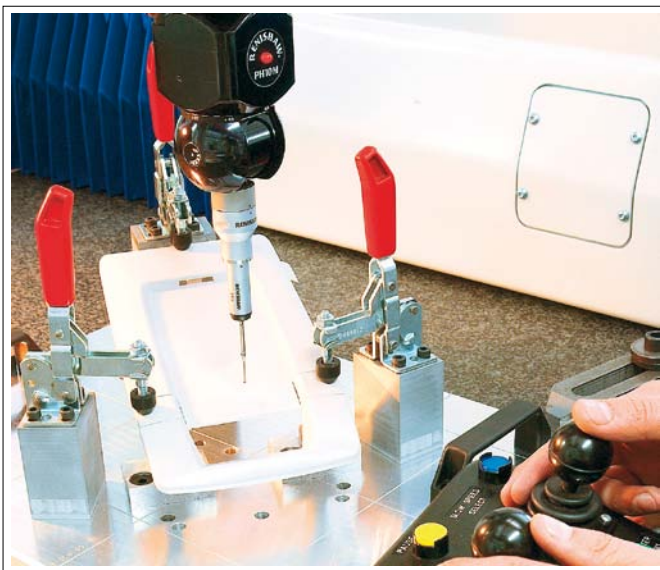
No. 6804T

Vertical toggle clamp with black handle

NEW!

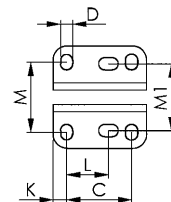
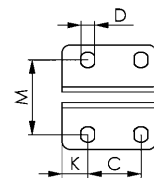


Order no.	Size	F1 [kN]	F2 [kN]	Clamping screw	Weight [g]
557981	3	1,4	2,5	M8x45	340
557982	4	2,0	3,0	M8x65	585
557983	5	3,0	5,0	M12x80	1480
557984	6	3,5	5,5	M12x110	2200



Size 3, 4, 6

Size 5



Recommendations



No. 6886,
page 151



No. 6805,
page 20



No. 6804S,
page 66

Dimensions:

Size	A	B	C	D	E	F	H	H1	HW min.	HW max.	I	K	L	L1	L2	M	M1	N	P	α	α^*
3	6	81,0	20,0	7,5	43	19,5	33,5	186	0	12,0	18	7,5	-	108,5	116,5	32,5	-	46	35	105°	60°
4	8	101,0	32,0	8,6	61	17,0	42,5	221	-8	21,0	20	13,0	-	141,5	129,5	45,0	-	64	53	105°	60°
5	10	141,0	45,0	8,5	88	30,5	55,5	281	-6	25,5	25	9,5	26,5-31,5	196,5	184,0	45-50	45	70	65	115°	60°
6	10	166,5	50,5	13,0	90	20,5	81,0	331	-5	51,0	30	24,5	-	232,0	206,0	68-72	-	100	90	140°	60°

* The opening angle can be changed by pressing in a stop pin.

Subject to technical alterations.

No. 6806

Vertical toggle clamp with red handle

with solid arm and vertical base.

Galvanized and passivated.

Stainless steel rivets, which run in hardened bushes. Bearings are pre-lubricated.

Ergonomic, oil-resistant handle with large grip surface and soft components. Safety clamping piece with finger protection.

Complete with tempered, galvanized clamping screw no. 6885 and sleeve to weld on.



Order no.	Size	F1 [kN]	F2 [kN]	Clamping screw	Weight [g]
90555	3	1,4	2,5	M 8x 45	400
90563	4	2,0	3,0	M 8x 65	585
90571	5	3,0	5,0	M12x 80	1480
90589	6	3,5	5,5	M12x110	2200

No. 6806Y

Vertical toggle clamp with yellow handle

NEW!



Order no.	Size	F1 [kN]	F2 [kN]	Clamping screw	Weight [g]
557032	3	1,4	2,5	M 8x 45	400
557033	4	2,0	3,0	M 8x 65	585
557034	5	3,0	5,0	M12x 80	1480
557035	6	3,5	5,5	M12x110	2200

No. 6806J

Vertical toggle clamp with orange handle

NEW!



Order no.	Size	F1 [kN]	F2 [kN]	Clamping screw	Weight [g]
557326	3	1,4	2,5	M 8x 45	400
557327	4	2,0	3,0	M 8x 65	585
557328	5	3,0	5,0	M12x 80	1480
557329	6	3,5	5,5	M12x110	2200

No. 6806E

Vertical toggle clamp with blue handle

NEW!



Order no.	Size	F1 [kN]	F2 [kN]	Clamping screw	Weight [g]
557650	3	1,4	2,5	M 8x 45	400
557651	4	2,0	3,0	M 8x 65	585
557652	5	3,0	5,0	M12x 80	1480
557653	6	3,5	5,5	M12x110	2200

Subject to technical alterations.

No. 6806G

Vertical toggle clamp with green handle

NEW!



Order no.	Size	F1 [kN]	F2 [kN]	Clamping screw	Weight [g]
557487	3	1,4	2,5	M 8x 45	400
557488	4	2,0	3,0	M 8x 65	585
557489	5	3,0	5,0	M12x 80	1480
557490	6	3,5	5,5	M12x110	2200

No. 6806T

Vertical toggle clamp with black handle

NEW!



Order no.	Size	F1 [kN]	F2 [kN]	Clamping screw	Weight [g]
557985	3	1,4	2,5	M 8x 45	400
557986	4	2,0	3,0	M 8x 65	585
557987	5	3,0	5,0	M12x 80	1480
557988	6	3,5	5,5	M12x110	2200

Recommendations



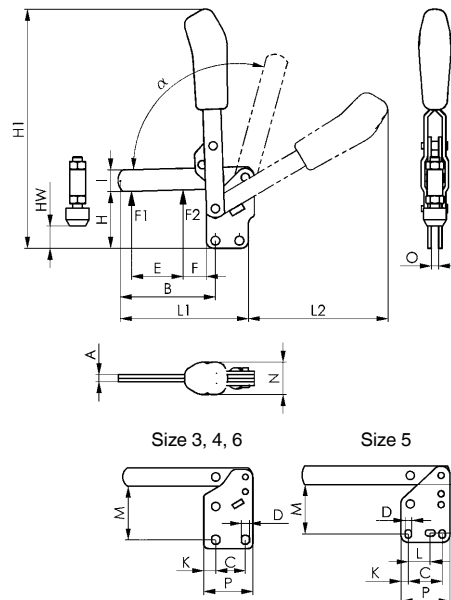
No. 6886,
page 151



No. 6802,
page 12



No. 6804,
page 16



CAD

Dimensions:

Size	A	B	C	D	E	F	H	H1	HW min.	HW max.	I	K	L	L1	L2	M	M1	N	O	P	α	α^*
3	6	81,0	20,0	7,5	43	19,5	48	200	14,5	26,0	18	7,5	-	108,5	116,0	41,0	-	27	6	35	105°	60°
4	8	101,0	32,0	8,6	61	17,0	65	244	13,0	44,0	20	13,0	-	141,5	129,5	55,5	-	34	8	53	105°	60°
5	10	141,0	45,0	8,5	88	30,5	77	302	15,0	47,0	25	9,5	26,5-31,5	196,5	184,0	66,0	64	36	10	65	115°	60°
6	10	166,5	50,5	13,0	90	20,5	117	369	28,5	86,5	30	24,5	-	232,0	206,0	102,0	-	39	10	90	140°	60°

* The opening angle can be changed by pressing in a stop pin.

Subject to technical alterations.

No. 6805

Vertical toggle clamp with red handle

clamping arm with fixed distance of clamping screw and horizontal base.

Galvanized and passivated. Stainless steel rivets. Bearings are pre-lubricated.

Ergonomic, oil-resistant handle with large grip surface and soft components. Safety clamping piece with finger protection.

Complete with tempered, galvanized clamping screw no. 6885.



Order no.	Size	F1 [kN]	Clamping screw	Weight [g]
90514	1	1	M5x30	100

No. 6805Y

Vertical toggle clamp with yellow handle

NEW!



Order no.	Size	F1 [kN]	Clamping screw	Weight [g]
557037	1	1	M5x30	100

No. 6805J

Vertical toggle clamp with orange handle

NEW!



Order no.	Size	F1 [kN]	Clamping screw	Weight [g]
557330	1	1	M5x30	100

No. 6805E

Vertical toggle clamp with blue handle

NEW!



Order no.	Size	F1 [kN]	Clamping screw	Weight [g]
557654	1	1	M5x30	100

Subject to technical alterations.

No. 6805G

Vertical toggle clamp with green handle

NEW!



Order no.	Size	F1 [kN]	Clamping screw	Weight [g]
557491	1	1	M5x30	100

No. 6805T

Vertical toggle clamp with black handle

NEW!



Order no.	Size	F1 [kN]	Clamping screw	Weight [g]
557989	1	1	M5x30	100

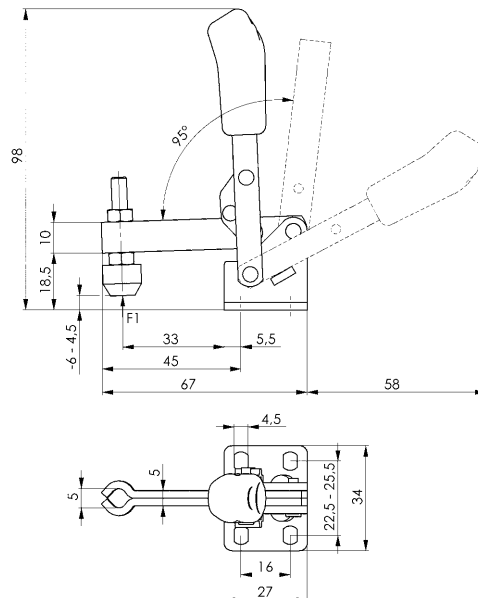
Recommendations



No. 6886,
page 151



No. 6804,
page 16



CAD

No. 6811P

Heavy vertical toggle clamp

with horizontal base.

Reamed and case-hardened bearing bushes.

Hardened, ground and permanently-lubricated pins. Clamp nuts on lever arm to vary friction in movement. Material: steel, blued.

Lever arm made of cast steel, blued. Handle of red, oil-resistant plastic.

Complete with tempered, galvanized clamping screw no. 6885.

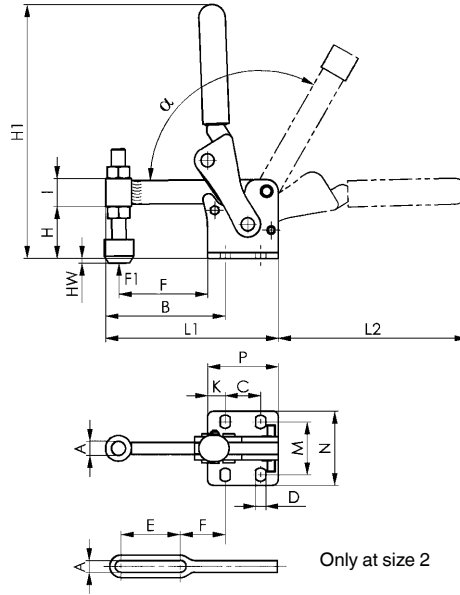


CAD

Order no.	Size	F1 [kN]	Clamping screw	Weight [g]
91314	2	2,5	M 6x 50	320
90878	4	5,0	M12x 80	1250
90886	6	6,0	M12x110	2130
90894	8	12,0	M12x110	4050

Note:

These heavy vertical toggle clamps are especially suitable for production equipment and fixtures.



Recommendations



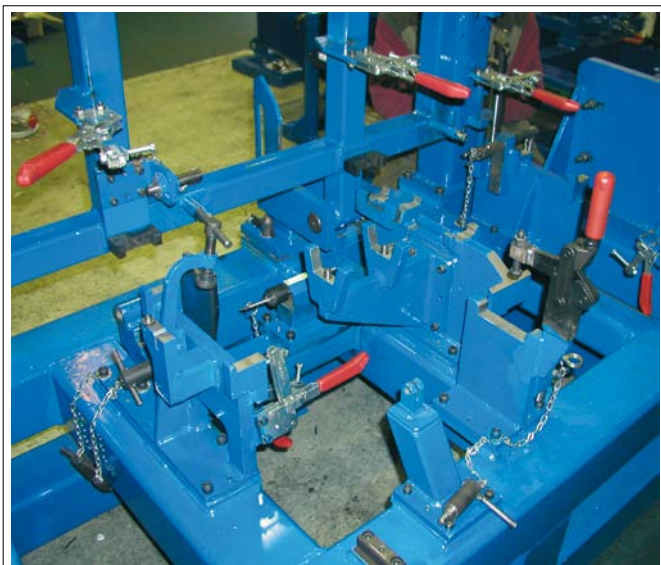
No. 6805,
page 20



No. 6812P,
page 23

Dimensions:

Order no.	Size	A	B	C	D	E	F	H	H1	HW min.	HW max.	I	K	L1	L2	M	N	P	α
91314	2	6,1	57	20	7,1	30	21	25	127	-13,5	6	15	8,5	85	94	32	47	37	120°
90878	4	12,2	100	30	8,5	-	75	44	216	-19,0	14	24	15	146	160	45	65	60	120°
90886	6	12,2	121	45	10,5	-	95	65	263	-22,0	35	30	15	181	185	52	78	75	120°
90894	8	12,2	151	55	12,5	-	120	71	303	-10,0	41	36	20	226	203	75	108	95	120°



Subject to technical alterations.

No. 6812P

Heavy vertical toggle clamp

with vertical base and mounting holes.

Reamed and case-hardened bearing bushes.

Hardened, ground and permanently-lubricated pins. Clamp nuts on lever arm to vary friction in movement. Material: steel, blued.

Lever arm made of cast steel, blued. Handle of red, oil-resistant plastic.

Complete with tempered, galvanized clamping screw no. 6885.

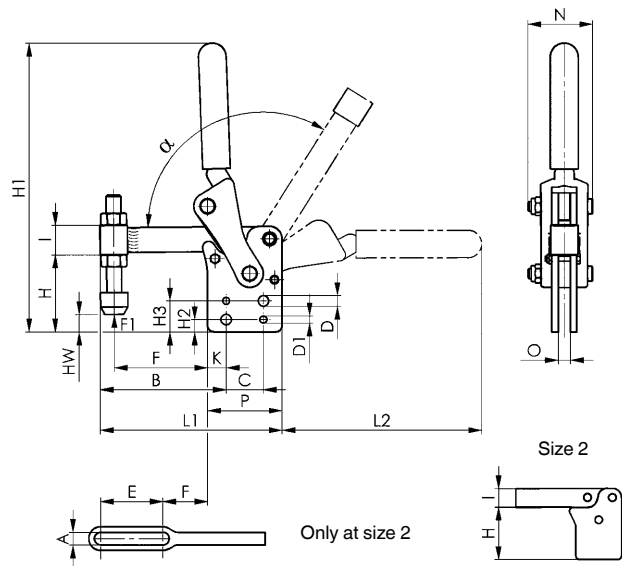


CAD

Order no.	Size	F1 [kN]	Clamping screw	Weight [g]
91330	2	2,5	M 6x 50	320
90902	4	10,0	M12x 80	1320
90910	6	12,0	M12x110	2120
90928	8	20,0	M12x110	4060

Note:

These heavy vertical toggle clamps are especially suitable for production equipment and fixtures.



Recommendations



No. 6802,
page 12



No. 6806,
page 18



No. 6811P,
page 22

Dimensions:

Order no.	Size	A	B	C	D	D1	E	F	H	H1	H2	H3	HW min.	HW max.	I	K	L1	L2	N	O	P	α
91330	2	6,2	48	-	-	-	30	12	42,0	144	-	-	3,5	22,8	15	-	85	94	31	6	37	190°
90902	4	12,2	101	30	8,5	5,7	-	75	62,0	233	10	25	-1,0	35,0	24	15	146	161	52	10	60	120°
90910	6	12,2	121	45	10,5	7,7	-	95	87,5	289	15	35	0,0	58,0	30	15	181	189	60	12	75	120°
90928	8	12,2	151	55	12,5	9,7	-	120	106,0	338	15	40	25,0	76,0	36	20	226	219	76	16	95	120°

No. 6809P

Modular clamp

with swivelling foot, welding version.

Mechanism can be welded at an angle to its support.

Reamed and case-hardened bearing bushes. Hardened, ground and permanently-lubricated pins. Clamp nuts on lever arm to vary friction in movement.

Materials: steel, blued. Lever arm made of cast steel, blued.

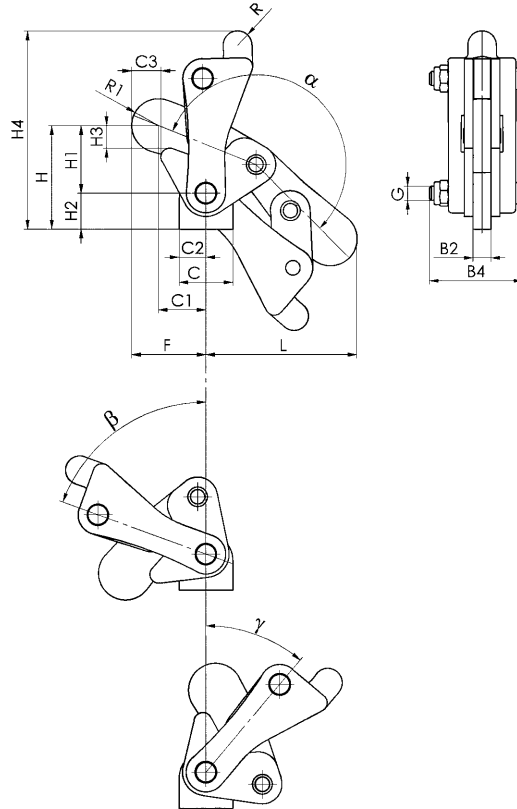


CAD

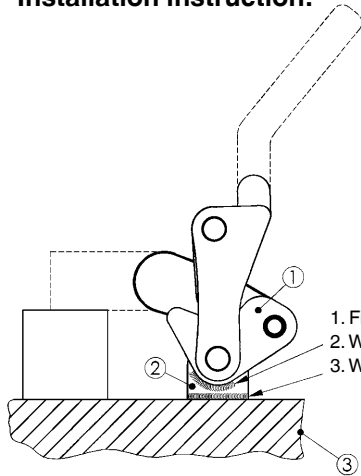
Order no.	Size	F1		Weight [g]
			[kN]	
90738	2		2,5	205
90746	4		7,0	855
90753	6		11,0	1600
90761	8		22,5	3100
90779	10		34,0	5560

Note:

These modular clamps can be supplemented with accessories just as you need to meet the requirements of your production equipment and fixtures.



Installation instruction:



1. Fix modular clamp in clamping position
2. Weld part ① to part ②
3. Weld part ② to part ③

Recommendations



No. 6810P,
page 25



No. 6811P,
page 22



No. 6812P,
page 23

Dimensions:

Order no.	Size	B2	B4	C	C1	C2	C3	F	G	H	H1	H2	H3	H4	L	R	R1	α	β	γ
90738	2	6	31	22	22	11	12	32	M 6	38	18	20,0	5	76	58	5	10,0	200°	70°	40°
90746	4	10	52	30	26	15	16	41	M 8	58	38	20,0	12	112	82	8	15,0	200°	70°	40°
90753	6	12	60	36	36	18	20	55	M10	78	50	28,0	16	145	105	11	18,0	200°	70°	40°
90761	8	16	76	50	50	25	27	72	M12	98	65	33,0	19	172	135	14	22,5	200°	70°	40°
90779	10	20	90	70	52	35	22	77	M16	117	83	33,5	25	210	155	14	25,0	200°	60°	28°

Subject to technical alterations.

No. 6810P

Modular clamp

with vertical foot, welding version.

Reamed and case-hardened bearing bushes.

Hardened, ground and permanently-lubricated pins. Clamp nuts on lever arm to vary friction in movement.

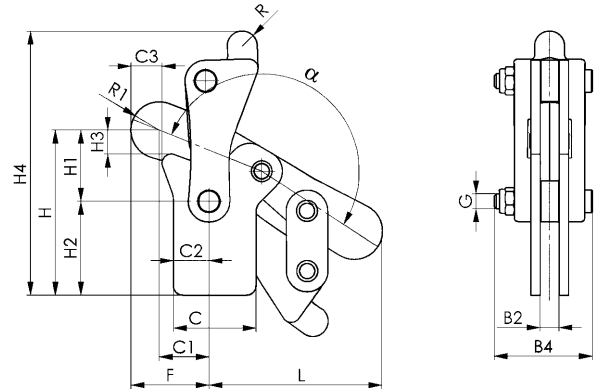
Materials: steel, blued. Lever arm made of cast steel, blued.



Order no.	Size	F1 [kN]	Weight [g]
90803	2	2,5	245
90811	4	7,0	970
90829	6	11,0	1750
90837	8	22,5	3310
90845	10	34,0	5970

Note:

These modular clamps can be supplemented with accessories just as you need to meet the requirements of your production equipment and fixtures.



Recommendations



No. 6809P,
page 24



No. 6811P,
page 22



No. 6812P,
page 23

Dimensions:

Order no.	Size	B2	B4	C	C1	C2	C3	F	G	H	H1	H2	H3	H4	L	R	R1	α
90803	2	6	31	30	22	14	12	32	M 6	52	18	34	5	90	58	5	10,0	190°
90811	4	10	52	44	26	19	16	41	M 8	88	38	50	12	142	82	8	15,0	190°
90829	6	12	60	55	36	28	20	55	M10	114	50	64	16	182	106	11	18,0	190°
90837	8	16	76	66	50	37	27	72	M12	140	64	76	19	218	135	14	22,5	190°
90845	10	20	90	80	52	40	22	77	M16	173	83	90	25	266	155	14	25,0	190°

No. 6830

Horizontal toggle clamp with red handle

with open clamping arm and horizontal base.

Galvanized and passivated. Rivets made of stainless steel, which, for sizes 2 to 5, run in hardened bushings. Bearings are pre-lubricated.

Ergonomic, oil-resistant handle with large grip surface and soft components. Lock washer for the thrust bolt at the end of the clamping arm.

Complete with tempered, galvanized clamping screw no. 6890.



Order no.	Size	F1 [kN]	F2 [kN]	Clamping screw	Weight [g]
93005	0	0,25	0,4	M4x25	35
93013	1	0,8	1,1	M5x30	105
93021	2	1,0	1,2	M6x35	185
93039	3	1,8	2,5	M8x45	320
93047	4	2,0	3,0	M8x65	700
93054	5	3,0	5,0	M8x65	1080

Also available in „STAINLESS STEEL“ version (no. 6830NI) and in matte-black version (no. 6830B)!

Note:

For suitable sensor monitor for size 3 see no. 6897S.

No. 6830Y

Horizontal toggle clamp with yellow handle

NEW!



Order no.	Size	F1 [kN]	F2 [kN]	Clamping screw	Weight [g]
557038	0	0,25	0,4	M4x25	35
557039	1	0,8	1,1	M5x30	105
557040	2	1,0	1,2	M6x35	185
557041	3	1,8	2,5	M8x45	320
557042	4	2,0	3,0	M8x65	700
557043	5	3,0	5,0	M8x65	1080

Also available in „STAINLESS STEEL“ version (no. 6830NIY).

No. 6830J

Horizontal toggle clamp with orange handle

NEW!



Order no.	Size	F1 [kN]	F2 [kN]	Clamping screw	Weight [g]
557331	0	0,25	0,4	M4x25	35
557332	1	0,8	1,1	M5x30	105
557333	2	1,0	1,2	M6x35	185
557334	3	1,8	2,5	M8x45	320
557335	4	2,0	3,0	M8x65	700
557336	5	3,0	5,0	M8x65	1080

Also available in „STAINLESS STEEL“ version (no. 6830NIJ).

No. 6830E

Horizontal toggle clamp with blue handle

NEW!



Order no.	Size	F1 [kN]	F2 [kN]	Clamping screw	Weight [g]
557655	0	0,25	0,4	M4x25	35
557656	1	0,8	1,1	M5x30	105
557657	2	1,0	1,2	M6x35	185
557658	3	1,8	2,5	M8x45	320
557659	4	2,0	3,0	M8x65	700
557660	5	3,0	5,0	M8x65	1080

Also available in „STAINLESS STEEL“ version (no. 6830NIE).

No. 6830G

Horizontal toggle clamp with green handle

NEW!



Order no.	Size	F1 [kN]	F2 [kN]	Clamping screw	Weight [g]
557492	0	0,25	0,4	M4x25	35
557493	1	0,8	1,1	M5x30	105
557494	2	1,0	1,2	M6x35	185
557495	3	1,8	2,5	M8x45	320
557496	4	2,0	3,0	M8x65	700
557497	5	3,0	5,0	M8x65	1080

Also available in „STAINLESS STEEL“ version (no. 6830NIG).

No. 6830T

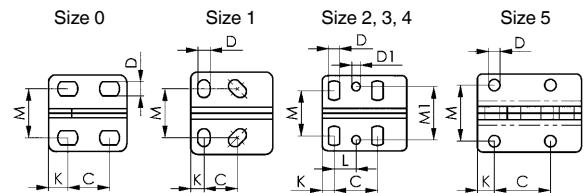
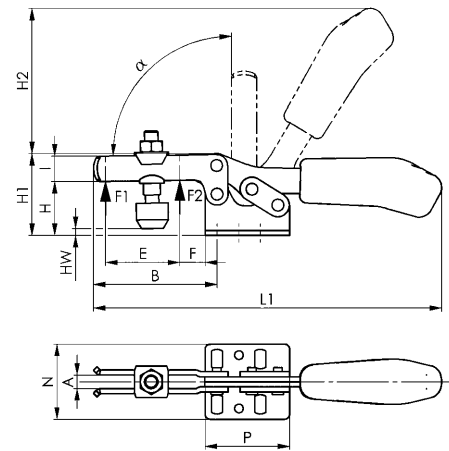
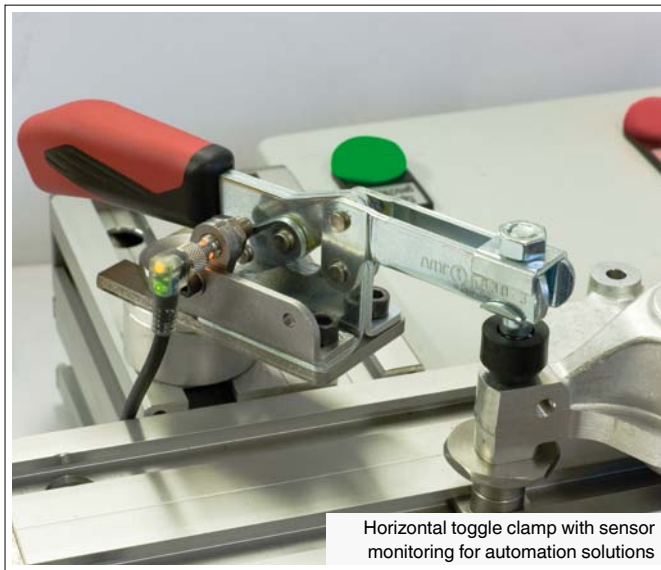
Horizontal toggle clamp with black handle

NEW!



Order no.	Size	F1 [kN]	F2 [kN]	Clamping screw	Weight [g]
557991	0	0,25	0,4	M4x25	35
557992	1	0,8	1,1	M5x30	105
557993	2	1,0	1,2	M6x35	185
557994	3	1,8	2,5	M8x45	320
557995	4	2,0	3,0	M8x65	700
557996	5	3,0	5,0	M8x65	1080

Also available in „STAINLESS STEEL“ version (no. 6830NIT).



Recommendations



No. 6860, page 38



No. 6897S, page 146



No. 6830S, page 68

Dimensions:

Size	A	B	C	D	D1	E	F	H	H1	H2	HW min.	HW max.	I	K	L	L1	M	M1	N	P	α
0	4	28	11,5-15,5	4,6	-	9,0	5,5	14,5	23,0	34	-5,5	0,0	7,5	6,3	-	79	16,0	-	25,0	25,5	90°
1	5	42	13,0-14,5	5,2	-	18,7	8,0	19,0	30,0	49	-3,0	2,5	10,0	5,5	-	120	18,0-21,5	-	34,0	34,0	90°
2	6	64	26,0	5,6	5,6	32,0	16,0	24,0	45,0	68	-1,5	5,0	13,2	6,0	12,7	162	19,5-29,5	28,5	42,0	38,0	90°
3	8	73	25,7	6,5	5,1	38,0	14,0	32,0	48,5	86	-2,0	9,0	15,0	7,0	13,0	206	22,0-31,8	31,6	45,5	50,0	90°
4	10	113	41,0	8,5	8,5	63,0	27,0	45,0	75,0	126	-4,0	24,0	20,0	8,0	20,5	287	29,0-43,0	43,0	58,0	57,0	90°
5	10	123	41,5	8,5	-	78,0	16,0	46,0	73,0	128	+1,7	25,0	25,0	12,5	-	321	41,5	-	58,0	77,0	90°

Subject to technical alterations.

No. 68300

Horizontal toggle clamp plus with red handle

With increased clamping force, open clamping arm and horizontal base.

Galvanised and passivated. Stainless steel rivets. The bearings are pre-lubricated. Ergonomic, oil-resistant handle with large grip surface and soft components. Safety clamping piece with lock washer for the clamping screw at the end of the clamping arm.

Complete with tempered, galvanised clamping screw no. 68301.



Order no.	Size	F1 [kN]	F2 [kN]	Clamping screw	Weight [g]
552552	1	1,1	1,7	M5 x 35	114
551715	2	1,6	3,0	M6 x 50	450
551716	3	2,5	4,0	M8 x 58	560
551717	4	3,5	8,0	M10 x 76	1250

Also available in „STAINLESS STEEL“ version (no. 68300NI).

No. 68300Y

Horizontal toggle clamp plus with yellow handle

NEW!



Order no.	Size	F1 [kN]	F2 [kN]	Clamping screw	Weight [g]
557046	1	1,1	1,7	M5 x 35	114
557930	2	1,6	3,0	M6 x 50	450
557047	3	2,5	4,0	M8 x 58	560
557048	4	3,5	8,0	M10 x 76	1250

Also available in „STAINLESS STEEL“ version (no. 68300NIY).

No. 68300J

Horizontal toggle clamp plus with orange handle

NEW!



Order no.	Size	F1 [kN]	F2 [kN]	Clamping screw	Weight [g]
557337	1	1,1	1,7	M5 x 35	114
557935	2	1,6	3,0	M6 x 50	450
557338	3	2,5	4,0	M8 x 58	560
557339	4	3,5	8,0	M10 x 76	1250

Also available in „STAINLESS STEEL“ version (no. 68300NIJ).

No. 68300E

Horizontal toggle clamp plus with blue handle

NEW!



Order no.	Size	F1 [kN]	F2 [kN]	Clamping screw	Weight [g]
557668	1	1,1	1,7	M5 x 35	114
557937	2	1,6	3,0	M6 x 50	450
557669	3	2,5	4,0	M8 x 58	560
557670	4	3,5	8,0	M10 x 76	1250

Also available in „STAINLESS STEEL“ version (no. 68300NIE).

No. 68300G

Horizontal toggle clamp plus with green handle

NEW!



Order no.	Size	F1 [kN]	F2 [kN]	Clamping screw	Weight [g]
557498	1	1,1	1,7	M5 x 35	114
557936	2	1,6	3,0	M6 x 50	450
557499	3	2,5	4,0	M8 x 58	560
557500	4	3,5	8,0	M10 x 76	1250

Also available in „STAINLESS STEEL“ version (no. 68300NIG).

No. 68300T

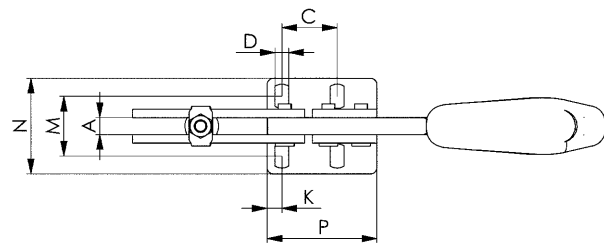
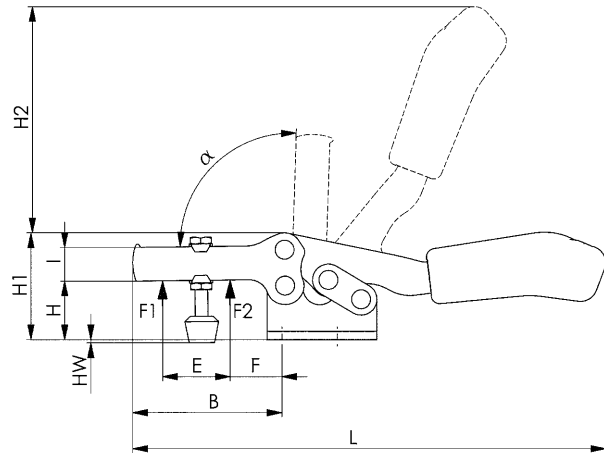
Horizontal toggle clamp plus with black handle

NEW!



Order no.	Size	F1 [kN]	F2 [kN]	Clamping screw	Weight [g]
557997	1	1,1	1,7	M5 x 35	114
557998	2	1,6	3,0	M6 x 50	450
557999	3	2,5	4,0	M8 x 58	560
558000	4	3,5	8,0	M10 x 76	1250

Also available in „STAINLESS STEEL“ version (no. 68300NIT).



Recommendations



No. 68301,
page 148



No. 6830S,
page 68



No. 6800,
page 10

Dimensions:

Size	A	B	C	D	E	F	H	H1	H2	HW min.	HW max.	I	K	L	M	N	P	α
1	5	46	13,5	4,3	20	16,5	19,0	35	46	0	10,0	12	6,0	126	15,0 - 19,5	27,5	34,0	90°
2	8	71	26,0	6,5	39	14,0	28,0	51	108	-1	12,0	16	7,0	224	23,5 - 34,0	46,0	52,0	90°
3	8	78	26,0	6,5	43	22,0	33,5	58	112	-1	13,0	18	6,5	242	25,5 - 36,0	47,0	52,5	90°
4	10	120	41,5	8,6	69	23,0	41,0	77	135	-2	16,5	24	10,5	329	34,5 - 45,0	60,0	76,0	90°

Subject to technical alterations.

No. 6832

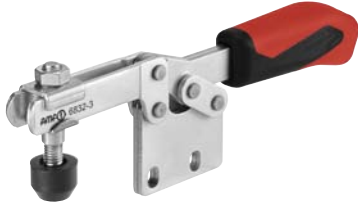
Horizontal toggle clamp with red handle

with open clamping arm and vertical base.

Galvanized and passivated. Rivets made of stainless steel, which, for sizes 2 to 5, run in hardened bushings. Bearings are pre-lubricated.

Ergonomic, oil-resistant handle with large grip surface and soft components. Lock washer for the thrust bolt at the end of the clamping arm.

Complete with tempered, galvanized clamping screw no. 6890.



Order no.	Size	F1 [kN]	F2 [kN]	Clamping screw	Weight [g]
93203	0	0,25	0,4	M4x25	35
93211	1	0,8	1,1	M5x30	105
93229	2	1,0	1,2	M6x35	185
93237	3	1,8	2,5	M8x45	320
93245	4	2,0	3,0	M8x65	700
93252	5	3,0	5,0	M8x65	1080

Also available in matte-black version (no. 6832B)!

No. 6832Y

Horizontal toggle clamp with yellow handle

NEW!



Order no.	Size	F1 [kN]	F2 [kN]	Clamping screw	Weight [g]
557097	0	0,25	0,4	M4x25	35
557098	1	0,8	1,1	M5x30	105
557099	2	1,0	1,2	M6x35	185
557100	3	1,8	2,5	M8x45	320
557101	4	2,0	3,0	M8x65	700
557102	5	3,0	5,0	M8x65	1080

No. 6832J

Horizontal toggle clamp with orange handle

NEW!



Order no.	Size	F1 [kN]	F2 [kN]	Clamping screw	Weight [g]
557340	0	0,25	0,4	M4x25	35
557341	1	0,8	1,1	M5x30	105
557342	2	1,0	1,2	M6x35	185
557343	3	1,8	2,5	M8x45	320
557344	4	2,0	3,0	M8x65	700
557345	5	3,0	5,0	M8x65	1080

No. 6832E

Horizontal toggle clamp with blue handle

NEW!



Order no.	Size	F1 [kN]	F2 [kN]	Clamping screw	Weight [g]
557671	0	0,25	0,4	M4x25	35
557672	1	0,8	1,1	M5x30	105
557673	2	1,0	1,2	M6x35	185
557674	3	1,8	2,5	M8x45	320
557675	4	2,0	3,0	M8x65	700
557676	5	3,0	5,0	M8x65	1080

No. 6832G

Horizontal toggle clamp with green handle

NEW!



Order no.	Size	F1 [kN]	F2 [kN]	Clamping screw	Weight [g]
557501	0	0,25	0,4	M4x25	35
557502	1	0,8	1,1	M5x30	105
557503	2	1,0	1,2	M6x35	185
557504	3	1,8	2,5	M8x45	320
557505	4	2,0	3,0	M8x65	700
557506	5	3,0	5,0	M8x65	1080

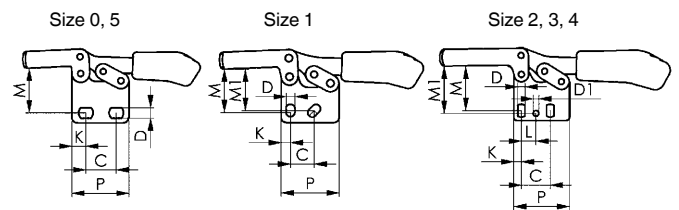
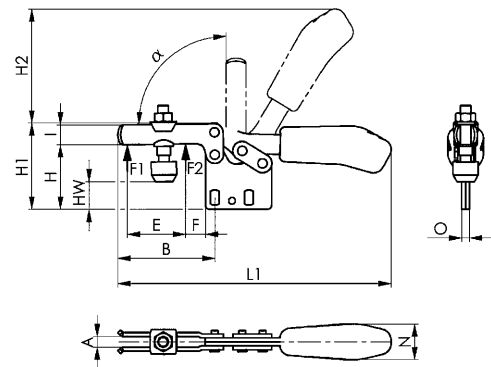
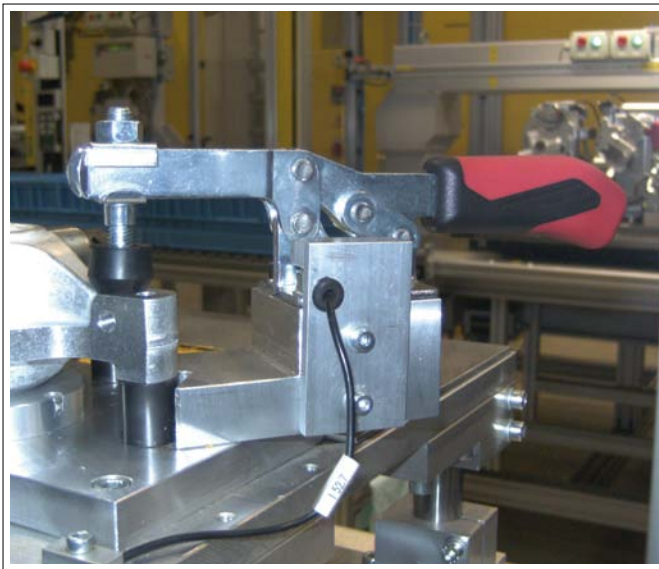
No. 6832T

Horizontal toggle clamp with black handle

NEW!



Order no.	Size	F1 [kN]	F2 [kN]	Clamping screw	Weight [g]
558010	0	0,25	0,4	M4x25	35
558011	1	0,8	1,1	M5x30	105
558012	2	1,0	1,2	M6x35	185
558013	3	1,8	2,5	M8x45	320
558014	4	2,0	3,0	M8x65	700
558015	5	3,0	5,0	M8x65	1080



Recommendations



No. 6892,
page 152



No. 6802,
page 12



No. 6832S,
page 70

Dimensions:

Size	A	B	C	D	D1	E	F	H	H1	H2	HW min.	HW max.	I	K	L	L1	M	M1	N	O	P	α
0	4	28	11,5-15,5	4,6	-	9,0	5	24,5	33,0	34	4,7	10,7	7,5	6,3	-	79	20,0	-	12	3	25,5	90°
1	5	42	13,0-14,5	5,2	-	18,5	8	31,5	43,0	49	8,0	15,0	10,0	5,5	-	120	23,5-25,5	24,5	18	5	34,0	90°
2	6	64	26,0	5,6	5,6	32,0	16	40,0	61,0	68	15,0	22,0	13,2	6,0	12,7	164	29,5-34,0	34,0	21	5	38,0	90°
3	8	73	25,7	6,5	5,1	38,5	14	49,0	65,0	86	14,5	26,0	15,0	7,0	13,0	206	37,5-42,5	42,0	27	6	50,0	90°
4	10	113	41,0	8,5	8,5	63,0	27	66,5	97,0	115	17,5	46,0	20,0	8,0	20,5	287	52,0-59,0	59,0	34	8	57,0	90°
5	10	123	41,5	8,5	-	78,0	16	65,0	92,5	128	21,5	45,0	25,0	12,5	-	321	57,0	-	36	10	77,0	90°

Subject to technical alterations.

No. 6834

Horizontal toggle clamp with red handle

with solid arm and horizontal base.

Galvanized and passivated.

Stainless steel rivets, which run in hardened bushes.

Bearings are pre-lubricated.

Ergonomic, oil-resistant handle with large grip surface and soft components.

Complete with tempered, galvanized clamping screw no. 6885 and sleeve to weld on.



Order no.	Size	F1 [kN]	F2 [kN]	Clamping screw	Weight [g]
93427	2	1,0	1,2	M 6x35	185
93435	3	1,8	2,5	M 8x45	320
93443	4	2,0	3,0	M 8x65	700
93450	5	3,0	5,0	M12x80	1080

Note:

For suitable sensor monitor for size 3 see no. 6897S.

No. 6834Y

Horizontal toggle clamp with yellow handle

NEW!



Order no.	Size	F1 [kN]	F2 [kN]	Clamping screw	Weight [g]
557106	2	1,0	1,2	M 6x35	185
557108	3	1,8	2,5	M 8x45	320
557109	4	2,0	3,0	M 8x65	700
557110	5	3,0	5,0	M12x80	1080

No. 6834J

Horizontal toggle clamp with orange handle

NEW!



Order no.	Size	F1 [kN]	F2 [kN]	Clamping screw	Weight [g]
557346	2	1,0	1,2	M 6x35	185
557347	3	1,8	2,5	M 8x45	320
557348	4	2,0	3,0	M 8x65	700
557349	5	3,0	5,0	M12x80	1080

No. 6834E

Horizontal toggle clamp with blue handle

NEW!



Order no.	Size	F1 [kN]	F2 [kN]	Clamping screw	Weight [g]
557678	2	1,0	1,2	M 6x35	185
557679	3	1,8	2,5	M 8x45	320
557680	4	2,0	3,0	M 8x65	700
557681	5	3,0	5,0	M12x80	1080

No. 6834G

Horizontal toggle clamp with green handle

NEW!



Order no.	Size	F1 [kN]	F2 [kN]	Clamping screw	Weight [g]
557507	2	1,0	1,2	M 6x35	185
557508	3	1,8	2,5	M 8x45	320
557509	4	2,0	3,0	M 8x65	700
557510	5	3,0	5,0	M12x80	1080

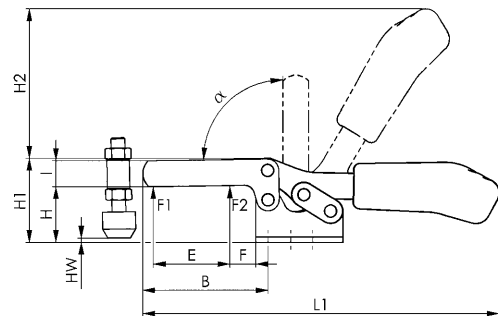
No. 6834T

Horizontal toggle clamp with black handle

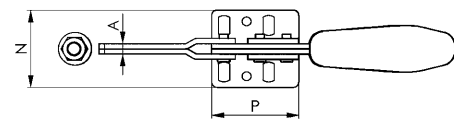
NEW!



Order no.	Size	F1 [kN]	F2 [kN]	Clamping screw	Weight [g]
558017	2	1,0	1,2	M 6x35	185
558018	3	1,8	2,5	M 8x45	320
558019	4	2,0	3,0	M 8x65	700
558020	5	3,0	5,0	M12x80	1080

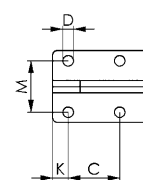
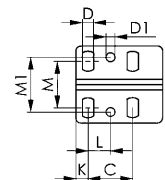


CAD



Size 2, 3, 4

Size 5



Recommendations



No. 6886,
page 151



No. 6804,
page 16



No. 6834S,
page 72

Dimensions:

Size	A	B	C	D	D1	E	F	H	H1	H2	HW min.	HW max.	I	K	L	L1	M	M1	N	P	α
2	5	63	26,0	5,6	5,6	35	16,0	24	45,0	66	-2,0	7,5	13	6,0	12,7	161	19,5-29,5	28,5	42	38	90°
3	6	72	26,0	6,5	5,1	44	15,0	32	48,5	86	-3,5	11,0	15	7,0	13,0	205	22,0-31,8	32,0	45,5	50	90°
4	8	111	41,0	8,5	8,5	66	26,0	45	75,0	114	-6,0	22,0	20	8,0	20,5	280	29,0-43,0	43,0	58	57	90°
5	10	121	41,5	8,5	-	78	17,5	46	73,0	128	-13,0	12,5	25	12,5	-	320	41,5	-	58	77	90°

Subject to technical alterations.

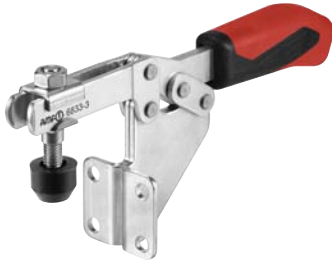
No. 6833

Horizontal toggle clamp with red handle with open clamping arm and angle base.

Galvanized and passivated. Rivets made of stainless steel, which, for sizes 2 and 3, run in hardened bushings. Bearings are pre-lubricated.

Ergonomic, oil-resistant handle with large grip surface and soft components. Lock washer for the thrust bolt at the end of the clamping arm.

Complete with tempered, galvanized clamping screw no. 6890.



Order no.	Size	F1 [kN]	F2 [kN]	Clamping screw	Weight [g]
93179	1	0,8	1,1	M5x30	170
93328	2	1,0	1,2	M6x35	245
93336	3	1,8	2,5	M8x45	390
93542	4	2,0	3,0	M8x65	730

No. 6833Y

Horizontal toggle clamp with yellow handle

NEW!

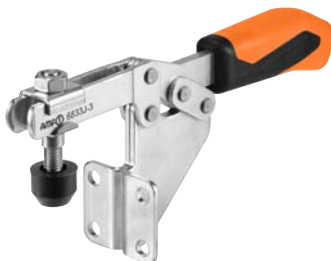


Order no.	Size	F1 [kN]	F2 [kN]	Clamping screw	Weight [g]
557118	1	0,8	1,1	M5x30	170
557119	2	1,0	1,2	M6x35	245
557120	3	1,8	2,5	M8x45	390
557121	4	2,0	3,0	M8x65	730

No. 6833J

Horizontal toggle clamp with orange handle

NEW!

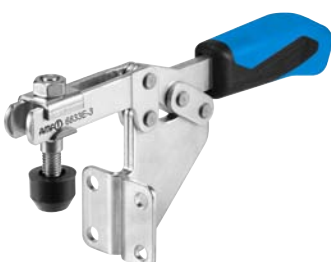


Order no.	Size	F1 [kN]	F2 [kN]	Clamping screw	Weight [g]
557350	1	0,8	1,1	M5x30	170
557351	2	1,0	1,2	M6x35	245
557352	3	1,8	2,5	M8x45	390
557353	4	2,0	3,0	M8x65	730

No. 6833E

Horizontal toggle clamp with blue handle

NEW!



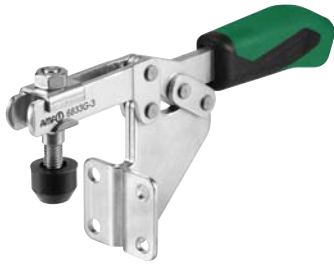
Order no.	Size	F1 [kN]	F2 [kN]	Clamping screw	Weight [g]
557682	1	0,8	1,1	M5x30	170
557683	2	1,0	1,2	M6x35	245
557684	3	1,8	2,5	M8x45	390
557685	4	2,0	3,0	M8x65	730

Subject to technical alterations.

No. 6833G

Horizontal toggle clamp with green handle

NEW!

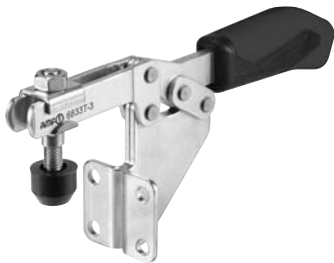


Order no.	Size	F1 [kN]	F2 [kN]	Clamping screw	Weight [g]
557511	1	0,8	1,1	M5x30	170
557512	2	1,0	1,2	M6x35	245
557513	3	1,8	2,5	M8x45	390
557514	4	2,0	3,0	M8x65	730

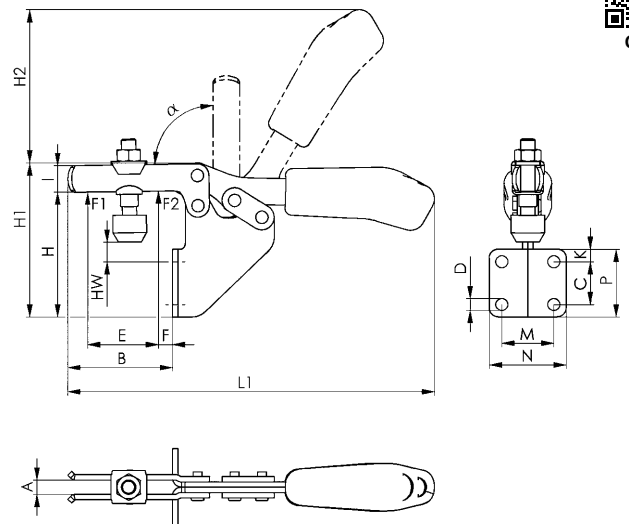
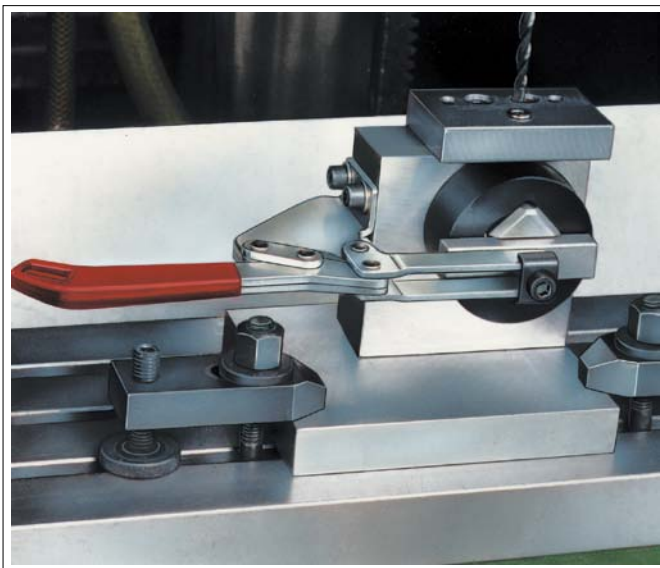
No. 6833T

Horizontal toggle clamp with black handle

NEW!



Order no.	Size	F1 [kN]	F2 [kN]	Clamping screw	Weight [g]
558021	1	0,8	1,1	M5x30	170
558022	2	1,0	1,2	M6x35	245
558023	3	1,8	2,5	M8x45	390
558024	4	2,0	3,0	M8x65	730



Recommendations



No. 6896,
page 153



No. 6895,
page 154



No. 6830,
page 26

Dimensions:

Size	A	B	C	D	E	F	H	H1	H2	HW min.	HW max.	I	K	L1	M	N	P	α
1	5,0	32	13,5	5,2	18,5	4,0	57	68,0	49	14	20,0	10,0	8	120	19,0	31,0	28	90°
2	6,2	52	20,0	5,6	32,0	10,5	73	94,0	68	22	29,5	13,2	6	162	25,5	37,0	32	90°
3	8,0	59	24,0	6,8	37,0	6,5	70	86,5	86	5	16,0	15,0	7	206	28,5	42,5	38	90°
4	10,0	93	32,0	8,5	63,0	15,0	102	133,0	120	11	40,0	20,0	40	282	32,0	52,0	82	90°

Subject to technical alterations.

No. 6837M

Horizontal acting toggle clamp

For removable handle.

To prevent interference during use, the handle can be removed after opening or closing this horizontal acting toggle clamp. With open clamping arm and horizontal base. Galvanized and passivated. Stainless steel rivets. The bearings are pre-lubricated.

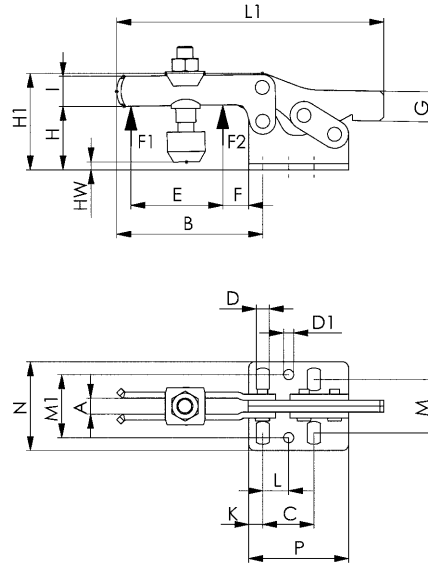
Handle 6837H is not included in delivery and needs to be ordered separately.

Complete with tempered, galvanised clamping screw no. 6890.



CAD

Order no.	Size	F1 [kN]	F2 [kN]	Clamping screw	Weight [g]
93948	2	1,0	1,2	M6 x 35	160
94201	3	1,8	2,5	M8 x 45	269
94268	4	2,0	3,0	M8 x 65	608



Recommendations



No. 6830S,
page 68



No. 6896,
page 153



No. 6895,
page 154

Dimensions:

Order no.	Size	A	B	C	D	D1	E	F	G	H	H1	HW min.	HW max.	I	K	L	L1	M	M1	N	P	α
93948	2	6	64	26,0	5,6	5,6	32	16	12	24	45,0	-1,5	5	13,2	6	12,7	113	19,5 - 29,5	28,5	42,0	38	90°
94201	3	8	73	25,7	6,5	5,1	38	14	15	32	48,5	-2,0	9	15,0	7	13,0	134	22,0 - 31,8	31,6	45,5	50	90°
94268	4	10	113	41,5	8,5	8,5	63	27	15	45	75,0	-4,0	24	20,0	8	20,5	191	29,0 - 43,0	43,0	58,0	57	90°

No. 6837H

Red handle, removable

For horizontal acting toggle clamp no. 6837M.



Order no.	Size	H	L	N	Weight [g]
94144	2	26	93,0	21,0	70
94284	3	35	118,5	27,0	122
94292	4	42	134,5	34,5	195

No. 6837HY

Yellow handle, removable

NEW!



Order no.	Size	H	L	N	Weight [g]
557125	2	26	93,0	21,0	70
557126	3	35	118,5	27,0	122
557127	4	42	134,5	34,5	195

No. 6837HJ

Orange handle, removable

NEW!



Order no.	Size	H	L	N	Weight [g]
557357	2	26	93,0	21,0	70
557358	3	35	118,5	27,0	122
557359	4	42	134,5	34,5	195

No. 6837HE

Blue handle, removable

NEW!



Order no.	Size	H	L	N	Weight [g]
557525	2	26	93,0	21,0	70
557526	3	35	118,5	27,0	122
557527	4	42	134,5	34,5	195

No. 6837HG

Green handle, removable

NEW!



Order no.	Size	H	L	N	Weight [g]
557686	2	26	93,0	21,0	70
557687	3	35	118,5	27,0	122
557688	4	42	134,5	34,5	195

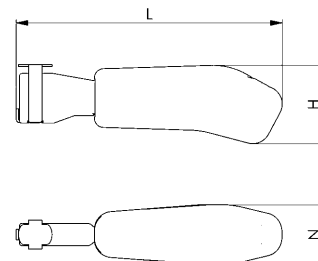
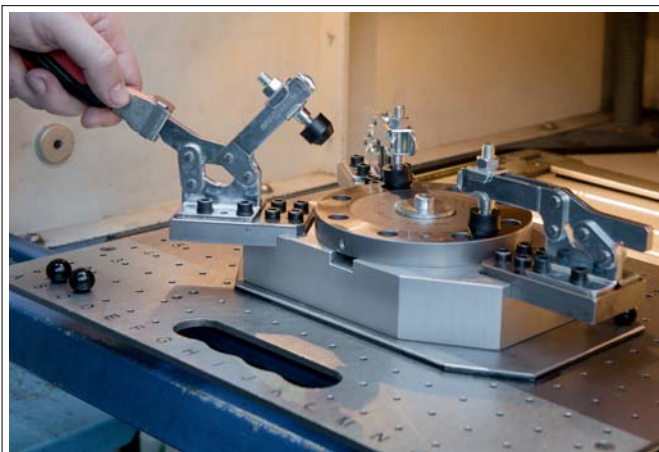
No. 6837HT

Black handle, removable

NEW!



Order no.	Size	H	L	N	Weight [g]
558025	2	26	93,0	21,0	70
558026	3	35	118,5	27,0	122
558027	4	42	134,5	34,5	195



CAD

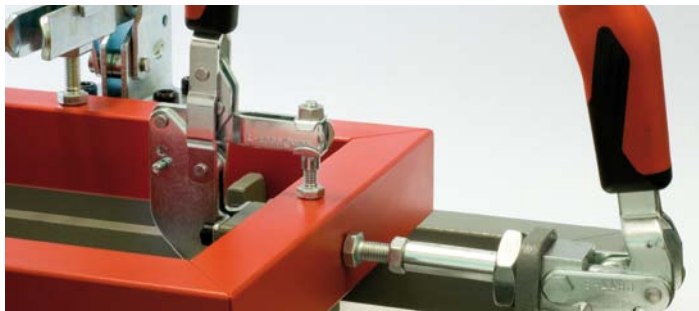
POSITIONING AND CLAMPING AT THE SAME TIME AND IN ONE OPERATION

The benefits at a glance:

- > Positioning and clamping in one operation
- > Robust and stable design
- > Workpiece easy to remove thanks to the fully retracted clamping arm
- > Optimised quality consistent with the AMF quality standard

Precise positioning and reliable clamping of individual components are of paramount importance when welding fixtures. In practice, this is guaranteed through the simultaneous use of rods and vertical toggle clamps, or by one's own complex design. The AMF Combiclamp accomplishes these two tasks in one operation, eliminating the need to use different toggle clamps. The sliding block guide on the Combiclamp converts the motion of the lever arm into a horizontal and vertical clamping movement, through which the workpiece is positioned and clamped at the same time. See for yourself the saving potential of using the new AMF Combiclamp!

PRESENT FIXTURE:



SET-UP WITH AMF-COMBICLAMP:



No. 6860

Combination clamp with red handle

Galvanized and passivated.
Rivets made of stainless steel which run in hardened bushings.
Bearings are pre-lubricated.
Ergonomic, oil-resistant handle with large grip surface and soft components.



Order no.	Size	F1 [kN]	F2 [kN]	Weight [g]
93831	1	1,0	1,0	340
93880	2	2,0	2,0	700
93864	3	3,0	3,0	1620

No. 6860Y

Combination clamp with yellow handle

NEW!



Order no.	Size	F1 [kN]	F2 [kN]	Weight [g]
557143	1	1,0	1,0	340
557144	2	2,0	2,0	700
557145	3	3,0	3,0	1620

No. 6860J

Combination clamp with orange handle

NEW!



Order no.	Size	F1 [kN]	F2 [kN]	Weight [g]
557360	1	1,0	1,0	340
557361	2	2,0	2,0	700
557362	3	3,0	3,0	1620

Subject to technical alterations.

No. 6860E

Combination clamp with blue handle

NEW!



Order no.	Size	F1 [kN]	F2 [kN]	Weight [g]
557689	1	1,0	1,0	340
557690	2	2,0	2,0	700
557691	3	3,0	3,0	1620

No. 6860G

Combination clamp with green handle

NEW!



Order no.	Size	F1 [kN]	F2 [kN]	Weight [g]
557528	1	1,0	1,0	340
557529	2	2,0	2,0	700
557530	3	3,0	3,0	1620

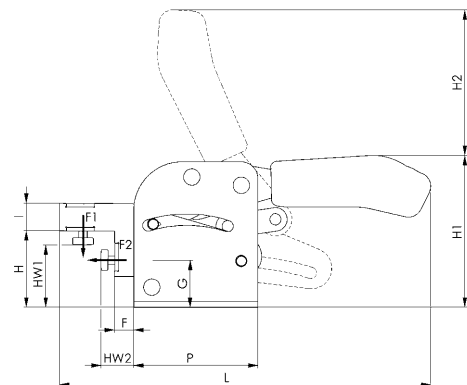
No. 6860T

Combination clamp with black handle

NEW!



Order no.	Size	F1 [kN]	F2 [kN]	Weight [g]
558028	1	1,0	1,0	340
558029	2	2,0	2,0	700
558030	3	3,0	3,0	1620



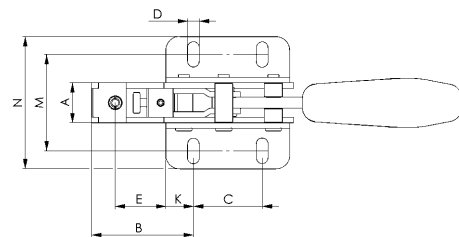
Recommendations



No. 6841,
page 40

No. 6830,
page 26

No. 6860P,
page 118



Dimensions:

Size	A	B	C	D	E	F	G	H	H1	H2	HW1 min.	HW1 max.	HW2 min.	HW2 max.	I	K	L	M	N	P
1	17,0	33	40	5,5	15	0,5	22	36,0	74	62	25	32	5	10	12	7,5	150	34,5-39,5	53	55
2	19,5	56	50	6,5	32	9,0	28	46,0	94	87	30	40	14	24	16	12,5	219	48,5-61,5	75	75
3	29,0	74	50	8,5	37	14,0	34	55,5	110	106	40	50	20	30	20	20,0	270	60,0-80,0	96	90

No. 6841

Push-pull type toggle clamp with red handle

with small angle base. For push- and pull-clamping. (Equal operation of rod and lever). Long rod-guide with attaching thread and nut. Galvanized and passivated. Rivets made of stainless steel, which, for sizes 2 and 3, run in hardened bushings. Lever-parts and rod of tempered steel. Bearings are pre-lubricated. Lever can be set to any angle relative to base. Ergonomic, oil-resistant handle with large grip surface and soft components. Complete with tempered, galvanized clamping screw no. 6880.



Order no.	Size	F1 [kN]	F2 [kN]	Clamping screw	Weight [g]
94094	0	0,8	0,8	M 4x20	65
94110	1	1,0	1,0	M 4x20	125
94128	2	2,0	2,0	M 6x25	245
94136	3	2,5	2,5	M 8x35	445
94151	5	4,5	4,5	M12x50	880
94367	5-M27	4,5	4,5	M12x50	900

Also available in „STAINLESS STEEL“ version (no. 6841NI) and in matte-black version (no. 6841B)!

No. 6841Y

Push-pull type toggle clamp with yellow handle

NEW!



Order no.	Size	F1 [kN]	F2 [kN]	Clamping screw	Weight [g]
557147	0	0,8	0,8	M 4x20	65
557148	1	1,0	1,0	M 4x20	125
557149	2	2,0	2,0	M 6x25	245
557150	3	2,5	2,5	M 8x35	445
557151	5	4,5	4,5	M12x50	880
557152	5-M27	4,5	4,5	M12x50	900

Also available in „STAINLESS STEEL“ version (no. 6841NIY).

No. 6841J

Push-pull type toggle clamp with orange handle

NEW!



Order no.	Size	F1 [kN]	F2 [kN]	Clamping screw	Weight [g]
557373	0	0,8	0,8	M 4x20	65
557374	1	1,0	1,0	M 4x20	125
557375	2	2,0	2,0	M 6x25	245
557376	3	2,5	2,5	M 8x35	445
557377	5	4,5	4,5	M12x50	880
557378	5-M27	4,5	4,5	M12x50	900

Also available in „STAINLESS STEEL“ version (no. 6841NIJ).

No. 6841E

Push-pull type toggle clamp with blue handle

NEW!



Order no.	Size	F1 [kN]	F2 [kN]	Clamping screw	Weight [g]
557692	0	0,8	0,8	M 4x20	65
557693	1	1,0	1,0	M 4x20	125
557694	2	2,0	2,0	M 6x25	245
557695	3	2,5	2,5	M 8x35	445
557696	5	4,5	4,5	M12x50	880
557697	5-M27	4,5	4,5	M12x50	900

Also available in „STAINLESS STEEL“ version (no. 6841NIE).

No. 6841G

Push-pull type toggle clamp with green handle

NEW!



Order no.	Size	F1 [kN]	F2 [kN]	Clamping screw	Weight [g]
557531	0	0,8	0,8	M 4x20	65
557532	1	1,0	1,0	M 4x20	125
557533	2	2,0	2,0	M 6x25	245
557534	3	2,5	2,5	M 8x35	445
557535	5	4,5	4,5	M12x50	880
557536	5-M27	4,5	4,5	M12x50	900

Also available in „STAINLESS STEEL“ version (no. 6841NIG).

No. 6841T

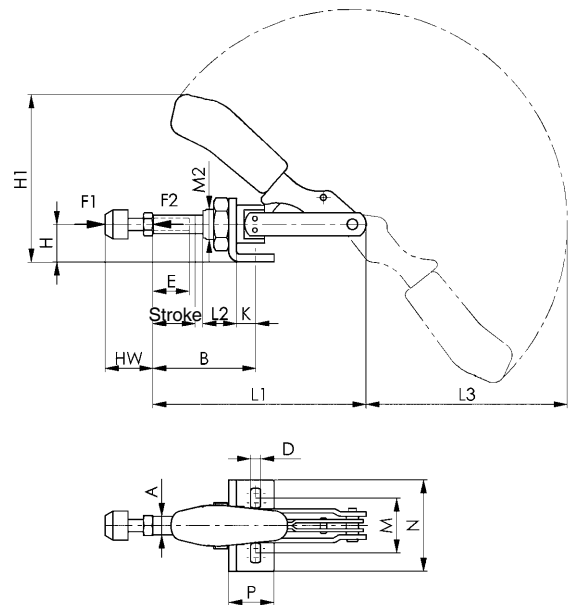
Push-pull type toggle clamp with black handle

NEW!



Order no.	Size	F1 [kN]	F2 [kN]	Clamping screw	Weight [g]
558031	0	0,8	0,8	M 4x20	65
558032	1	1,0	1,0	M 4x20	125
558033	2	2,0	2,0	M 6x25	245
558034	3	2,5	2,5	M 8x35	445
558035	5	4,5	4,5	M12x50	880
558036	5-M27	4,5	4,5	M12x50	900

Also available in „STAINLESS STEEL“ version (no. 6841NIT).



CAD

Recommendations



No. 6844,
page 44



No. 6845,
page 46



No. 6842,
page 48

Dimensions:

Size	A	B min.	B max.	D	E	H	H1	Stroke	HW min.	HW max.	K	L1	L2	L3	M	M2	N	P
0	6,5	17,0	33,0	4,5	13	12	49,3	16	12	20	6,5	66,5	10	54,0	16,0	M10x1,0	25	16
1	8,0	24,5	44,5	4,5	20	15	60,5	20	12	20	7,0	91,0	16	74,0	16,0-19,5	M12x1,5	30	20
2	10,0	32,5	58,5	5,6	20	20	85,5	26	17	25	12,5	114,0	19	105,0	31,8-36,0	M16x1,5	50	34
3	12,0	37,0	69,0	6,5	30	25	108,0	32	22	35	13,0	140,0	22	127,5	29,5-42,5	M20x1,5	60	30
5	16,0	41,5	81,5	8,5	50	30	129,5	40	30	50	15,5	171,5	25	158,0	29,0-46,0	M24x1,5	65	35
5-M27	16,0	41,5	81,5	8,5	50	30	129,5	40	30	50	15,5	171,5	25	158,0	29,0-46,0	M27x2,0	65	35

Subject to technical alterations.

No. 6840

Push-pull type toggle clamp with red handle

without angle base. For push- and pull-clamping. (Equal operation of rod and lever).

Long rod-guide with attaching thread and nut. Galvanized and passivated. Rivets made of stainless steel, which, for sizes 2 and 3, run in hardened bushings. Lever-parts and rod of tempered steel. Bearings are pre-lubricated. Push-pull toggle clamp with threaded front for direct mounting in vertical metal plates or in fixtures. Ergonomic, oil-resistant handle with large grip surface and soft components.

Complete with tempered, galvanized clamping screw no. 6880.



Order no.	Size	F1 [kN]	F2 [kN]	Clamping screw	Weight [g]
93906	0	0,8	0,8	M 4x20	60
93914	1	1,0	1,0	M 4x20	100
93922	2	2,0	2,0	M 6x25	245
93930	3	2,5	2,5	M 8x35	330
93955	5	4,5	4,5	M12x50	700
94359	5-M27	4,5	4,5	M12x50	720

No. 6840Y

Push-pull type toggle clamp with yellow handle

NEW!



Order no.	Size	F1 [kN]	F2 [kN]	Clamping screw	Weight [g]
557161	0	0,8	0,8	M 4x20	60
557162	1	1,0	1,0	M 4x20	100
557163	2	2,0	2,0	M 6x25	245
557164	3	2,5	2,5	M 8x35	330
557165	5	4,5	4,5	M12x50	700
557166	5-M27	4,5	4,5	M12x50	720

No. 6840J

Push-pull type toggle clamp with orange handle

NEW!



Order no.	Size	F1 [kN]	F2 [kN]	Clamping screw	Weight [g]
557389	0	0,8	0,8	M 4x20	60
557390	1	1,0	1,0	M 4x20	100
557391	2	2,0	2,0	M 6x25	245
557392	3	2,5	2,5	M 8x35	330
557393	5	4,5	4,5	M12x50	700
557394	5-M27	4,5	4,5	M12x50	720

No. 6840E

Push-pull type toggle clamp with blue handle

NEW!



Order no.	Size	F1 [kN]	F2 [kN]	Clamping screw	Weight [g]
557699	0	0,8	0,8	M 4x20	60
557700	1	1,0	1,0	M 4x20	100
557701	2	2,0	2,0	M 6x25	245
557702	3	2,5	2,5	M 8x35	330
557703	5	4,5	4,5	M12x50	700
557704	5-M27	4,5	4,5	M12x50	720

No. 6840G

Push-pull type toggle clamp with green handle

NEW!



Order no.	Size	F1 [kN]	F2 [kN]	Clamping screw	Weight [g]
557537	0	0,8	0,8	M 4x20	60
557538	1	1,0	1,0	M 4x20	100
557539	2	2,0	2,0	M 6x25	245
557540	3	2,5	2,5	M 8x35	330
557541	5	4,5	4,5	M12x50	700
557542	5-M27	4,5	4,5	M12x50	720

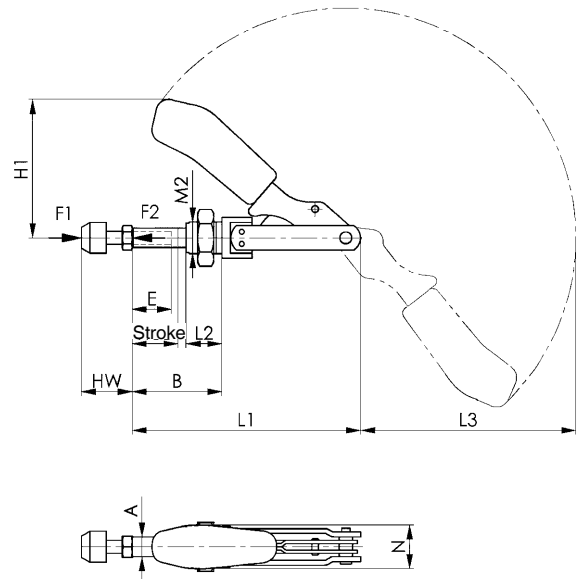
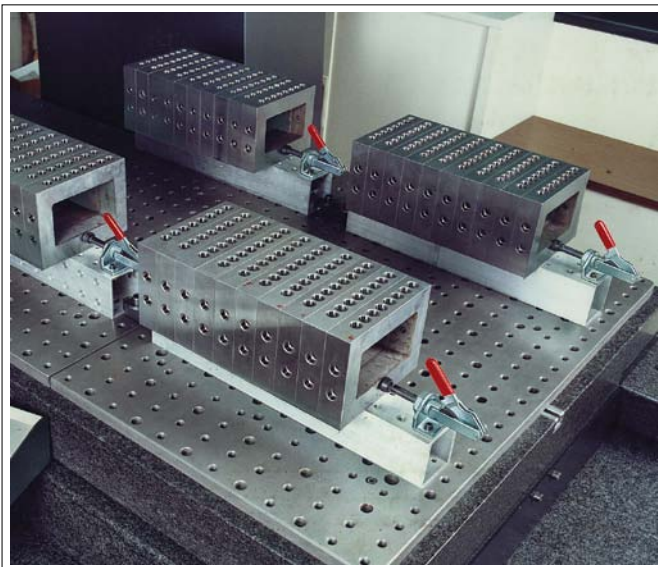
No. 6840T

Push-pull type toggle clamp with black handle

NEW!



Order no.	Size	F1 [kN]	F2 [kN]	Clamping screw	Weight [g]
558037	0	0,8	0,8	M 4x20	60
558038	1	1,0	1,0	M 4x20	100
558039	2	2,0	2,0	M 6x25	245
558040	3	2,5	2,5	M 8x35	330
558041	5	4,5	4,5	M12x50	700
558042	5-M27	4,5	4,5	M12x50	720



CAD

Recommendations



No. 6843,
page 46



No. 6841,
page 40



No. 6840S,
page 74

Dimensions:

Size	A	B min.	B max.	E	H1	Stroke	HW min.	HW max.	L1	L2	L3	M2	N
0	6,5	10,5	26,5	13	37,0	16	12	20	66,5	10	54	M10x1,0	15,0
1	8,0	17,5	37,5	20	45,5	20	12	20	91,0	16	74	M12x1,5	18,0
2	10,0	20,0	46,0	20	66,0	26	17	25	114,0	19	105	M16x1,5	22,0
3	12,0	24,0	56,0	30	82,5	32	22	35	140,0	22	127	M20x1,5	27,0
5	16,0	26,5	66,5	50	99,0	40	30	50	171,5	25	158	M24x1,5	34,5
5-M27	16,0	26,5	66,5	50	99,0	40	30	50	171,5	25	158	M27x2,0	34,5

Subject to technical alterations.

No. 6844

Push-pull type toggle clamp with red handle

short version. For push- and pull-clamping.
Long rod-guide with attaching thread and nut.
Galvanized and passivated. Stainless steel rivet. Shoulder screws tempered. Bearings are pre-lubricated.
Ergonomic, oil-resistant handle with large grip surface and soft components.

Complete with tempered, galvanized clamping screw no. 6880.



Order no.	Size	F1 [kN]	F2 [kN]	Clamping screw	Weight [g]
94300	2	1,0	1,0	M 6x25	130
94318	3	2,5	2,5	M 8x35	320
94334	5	4,0	4,0	M12x50	1200
92676	5-M27	4,0	4,0	M12x50	1200

Also available in „STAINLESS STEEL“ version (no. 6844NI).

Application:

Toggle for direct fit up in metal plates or fixtures, using its front attaching thread or by means of solid base angle no. 6843.

No. 6844Y

Push-pull type toggle clamp with yellow handle

NEW!



Order no.	Size	F1 [kN]	F2 [kN]	Clamping screw	Weight [g]
557167	2	1,0	1,0	M 6x25	130
557168	3	2,5	2,5	M 8x35	320
557169	5	4,0	4,0	M12x50	1200
557170	5-M27	4,0	4,0	M12x50	1200

Also available in „STAINLESS STEEL“ version (no. 6844NIY).

No. 6844J

Push-pull type toggle clamp with orange handle

NEW!



Order no.	Size	F1 [kN]	F2 [kN]	Clamping screw	Weight [g]
557397	2	1,0	1,0	M 6x25	130
557398	3	2,5	2,5	M 8x35	320
557399	5	4,0	4,0	M12x50	1200
557400	5-M27	4,0	4,0	M12x50	1200

Also available in „STAINLESS STEEL“ version (no. 6844NIJ).

No. 6844E

Push-pull type toggle clamp with blue handle

NEW!



Order no.	Size	F1 [kN]	F2 [kN]	Clamping screw	Weight [g]
557710	2	1,0	1,0	M 6x25	130
557711	3	2,5	2,5	M 8x35	320
557712	5	4,0	4,0	M12x50	1200
557713	5-M27	4,0	4,0	M12x50	1200

Also available in „STAINLESS STEEL“ version (no. 6844NIE).

No. 6844G

Push-pull type toggle clamp with green handle

NEW!



Order no.	Size	F1 [kN]	F2 [kN]	Clamping screw	Weight [g]
557548	2	1,0	1,0	M 6x25	130
557549	3	2,5	2,5	M 8x35	320
557550	5	4,0	4,0	M12x50	1200
557551	5-M27	4,0	4,0	M12x50	1200

Also available in „STAINLESS STEEL“ version (no. 6844NIG).

No. 6844T

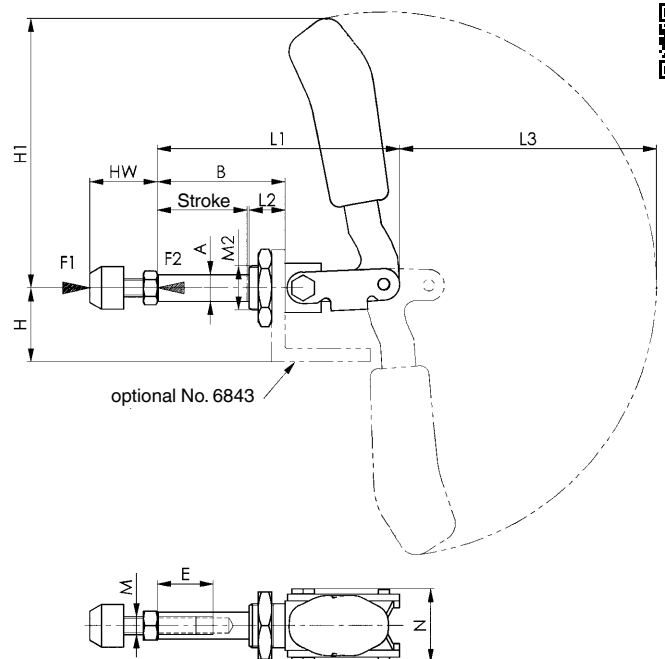
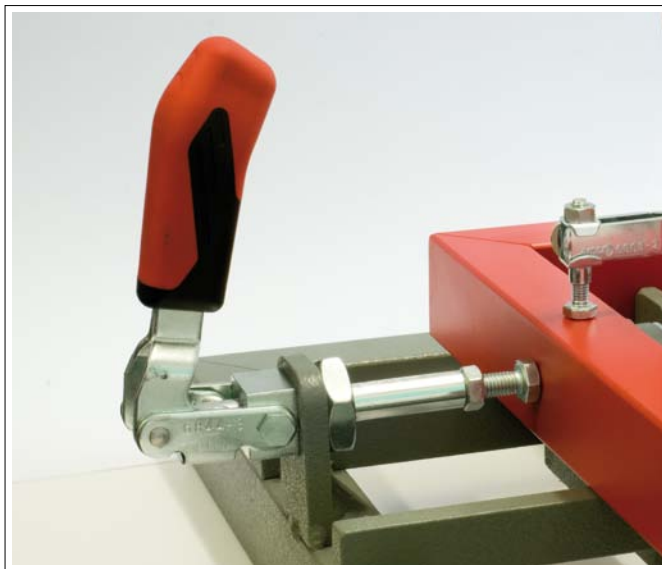
Push-pull type toggle clamp with black handle

NEW!



Order no.	Size	F1 [kN]	F2 [kN]	Clamping screw	Weight [g]
558046	2	1,0	1,0	M 6x25	130
558047	3	2,5	2,5	M 8x35	320
558048	5	4,0	4,0	M12x50	1200
558049	5-M27	4,0	4,0	M12x50	1200

Also available in „STAINLESS STEEL“ version (no. 6844NIT).



Recommendations



No. 6843,
page 46



No. 6860,
page 38

Dimensions:

Size	A	B	E	H	H1	Stroke	HW min.	HW max.	L1	L2	L3	M	M2	N
2	10	36	15	24	73	21,5	17	25	68,5	13	68	M6	M16x1,5	30,5
3	12	57	25	33	123	40,0	22	35	108,0	16	115	M8	M20x1,5	33,0
5	16	92	45	37	149	67,0	30	50	175,0	24	139	M12	M24x1,5	49,0
5-M27	16	92	45	37	149	67,0	30	50	175,0	24	139	M12	M27x2,0	49,0

Subject to technical alterations.

No. 6843

Angle base, solid

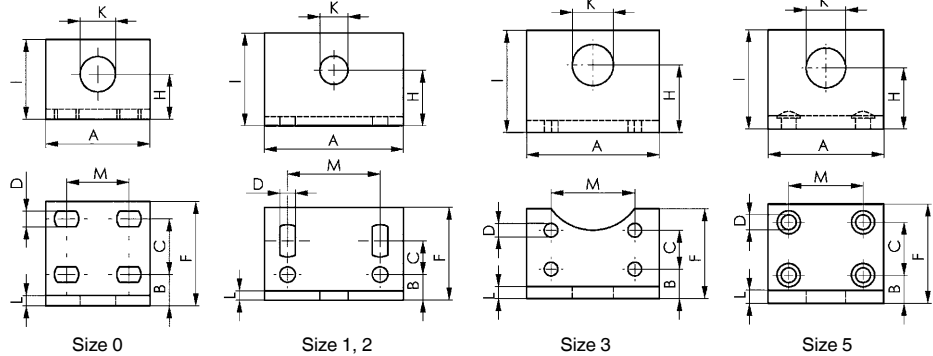
for no. 6840 and no. 6844.
Increased range of application due to enlarged height of center line. Fastening by means of 4 screws.



CAD

Order no.	Size	A	B	C	D	F	H	I	K	L	M	Weight [g]
94003	0	30	9,0	16,0	4,5	30	13	23	10,2	3	15,5-20,5	35
94011	1	60	11,0	11-18	6,7	40	24	40	12,2	4	40,0	135
94029	2	60	11,0	11-18	6,7	40	24	40	16,2	5	40,0	160
94037	3	65	14,5	19,0	6,7	44	33	50	20,2	6	41,0	235
94052	5	70	17,0	32,0	9,0	60	37	60	24,0	8	45,0	450
94391	5-M27	70	17,0	32,0	9,0	60	37	60	27,0	8	45,0	440

Also available in „STAINLESS STEEL“ version (no. 6843NI).



Recommendations



No. 6841, page 40



No. 6840, page 42



No. 6844, page 44

No. 6845

Push-pull type toggle clamp

Push-type clamp.

(Opposed operation of rod and lever). Version with long rod-guide. Base of malleable casting, varnished. Toggle parts and push rod are heat-treated steel, galvanized and passivated. Stainless steel rivets, which run in hardened bushes. Bearings are pre-lubricated. Ergonomic, oil-resistant handle with large grip surface and soft components.

Complete with tempered, galvanized clamping screw no. 6880-3.

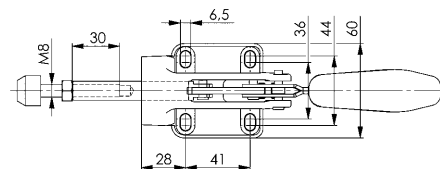
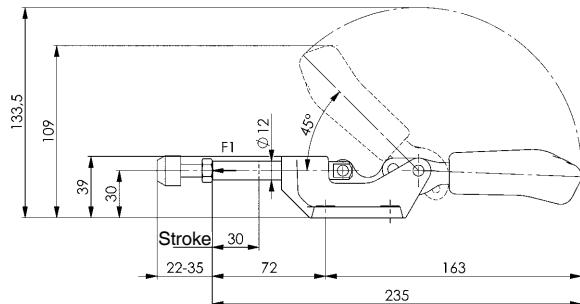


CAD

Order no.	Size	F1 [kN]	Clamping screw	Weight [g]
94243	3	4	M8x35	540

Advantage:

- Low height in clamped position
- Compatible with AMF push-pull toggle clamp no. 6842-3



Recommendations



No. 6841, page 40

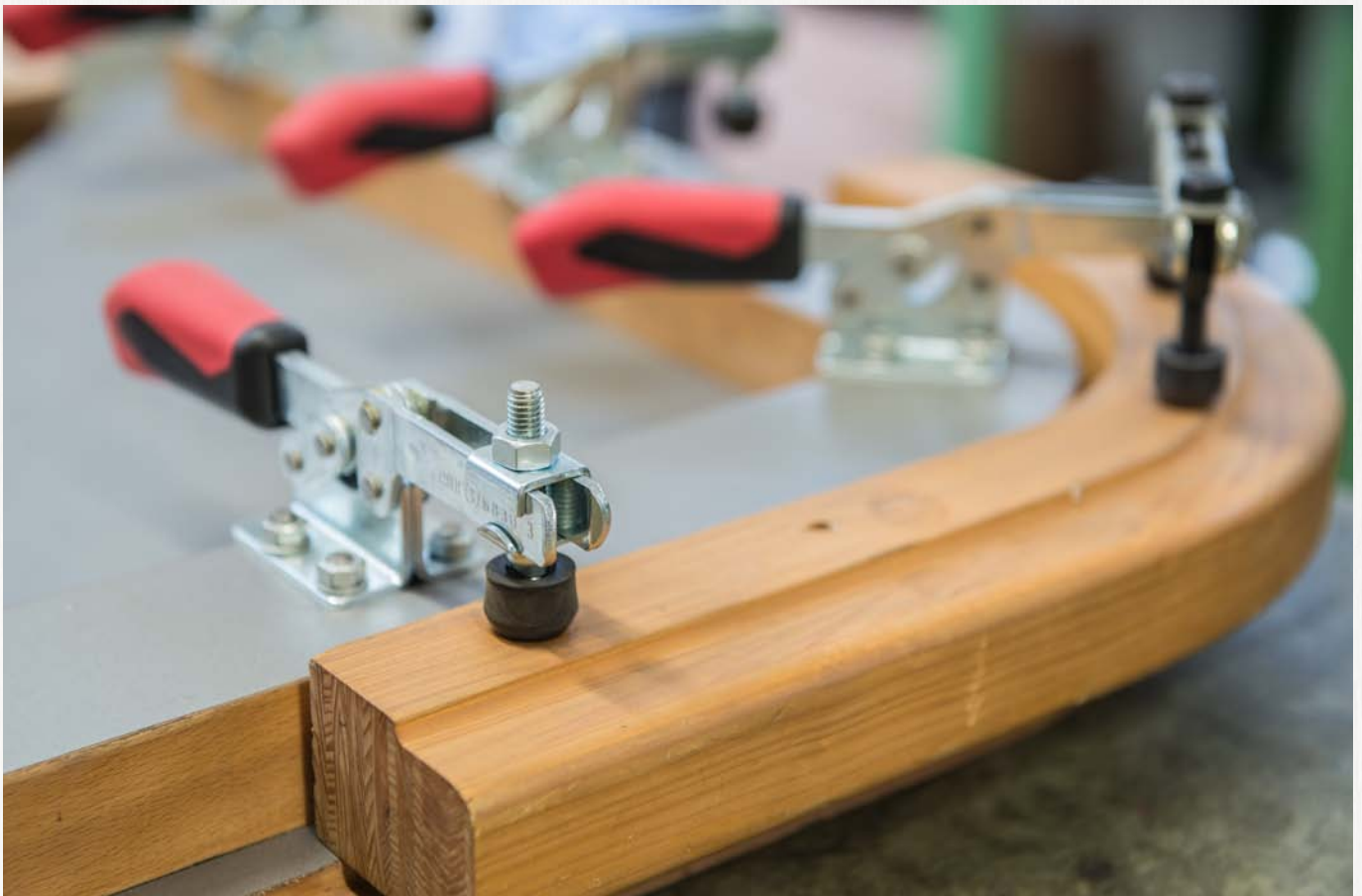
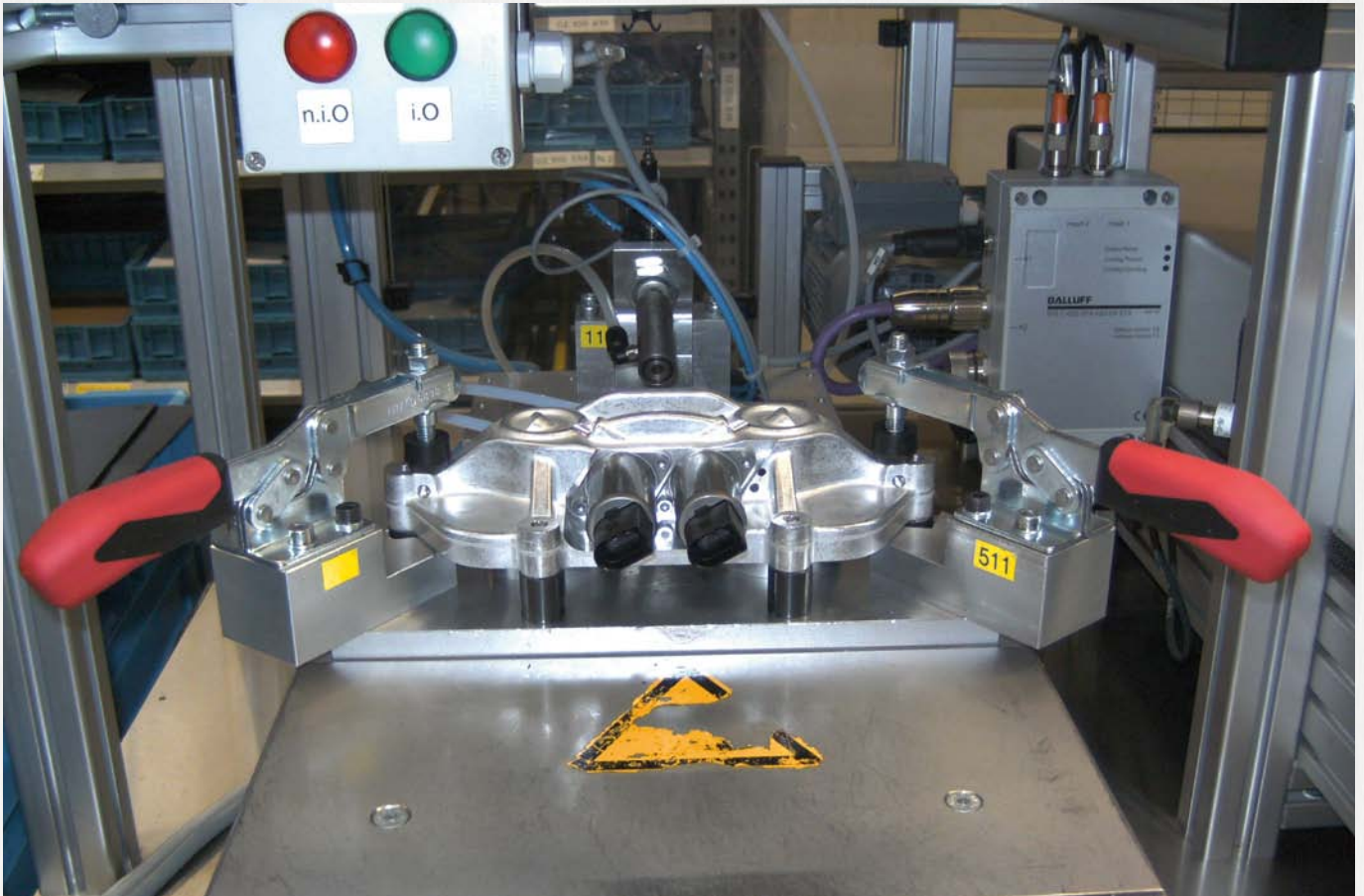


No. 6842, page 48



No. 6842PK, page 50

Subject to technical alterations.



No. 6842

Heavy-duty push-pull type toggle clamp with red handle

For push- and pull-clamping.

(Equal operation of rod and lever).

Heavy-duty version with long rod-guide. Base of malleable casting, varnished. Toggle parts and push rod are heat-treated steel, galvanized and passivated. Rivets made of stainless steel, which, for size 3, run in hardened bushings. Bearings are pre-lubricated.

Ergonomic, oil-resistant handle with large grip surface and soft components for size 3 and 5.

Complete with tempered, galvanized clamping screw no. 6880.

Order no.	Size	F1 [kN]	F2 [kN]	Clamping screw	Weight [g]
94235	3	4	4	M 8x35	540
94250	5	10	10	M12x50	1115
94276	7	25	25	M12x50	2840



No. 6842Y

Heavy-duty push-pull type toggle clamp with yellow handle

NEW!



Order no.	Size	F1 [kN]	F2 [kN]	Clamping screw	Weight [g]
557171	5	10	10	M12x50	1115
557172	7	25	25	M12x50	2840

No. 6842J

Heavy-duty push-pull type toggle clamp with orange handle

NEW!



Order no.	Size	F1 [kN]	F2 [kN]	Clamping screw	Weight [g]
557403	5	10	10	M12x50	1115
557404	7	25	25	M12x50	2840

No. 6842E

Heavy-duty push-pull type toggle clamp with blue handle

NEW!



Order no.	Size	F1 [kN]	F2 [kN]	Clamping screw	Weight [g]
557714	5	10	10	M12x50	1115
557715	7	25	25	M12x50	2840

No. 6842G

Heavy-duty push-pull type toggle clamp with green handle

NEW!



Order no.	Size	F1 [kN]	F2 [kN]	Clamping screw	Weight [g]
557561	5	10	10	M12x50	1115
557562	7	25	25	M12x50	2840

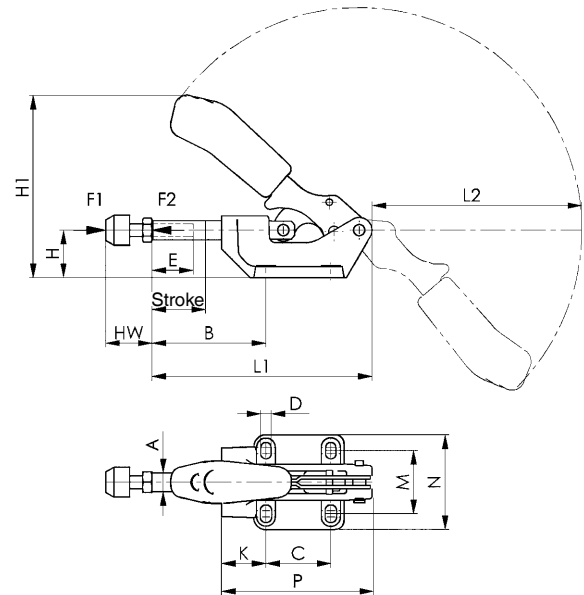
No. 6842T

Heavy-duty push-pull type toggle clamp with black handle

NEW!



Order no.	Size	F1 [kN]	F2 [kN]	Clamping screw	Weight [g]
558054	5	10	10	M12x50	1115
558055	7	25	25	M12x50	2840



Recommendations



No. 6841,
page 40



No. 6842PL,
page 51



No. 6860,
page 38

Dimensions:

Size	A	B min.	B max.	C	D	E	H	H1	Stroke	HW min.	HW max.	K	L1	L2	M	N	P
3	12	40	72	41	6,5	30	30	116,0	32	22	35	28	139	135	36-44	60	95
5	16	58	98	41	8,5	50	38	137,5	40	30	50	45	174	156	41-50	71	121
7	22	59	105	70	11,0	50	55	179,0	50	30	50	45	218	192	57-65	93	158



Subject to technical alterations.

No. 6842PK

Heavy push-pull type toggle clamp

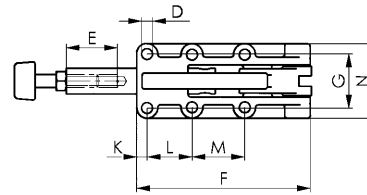
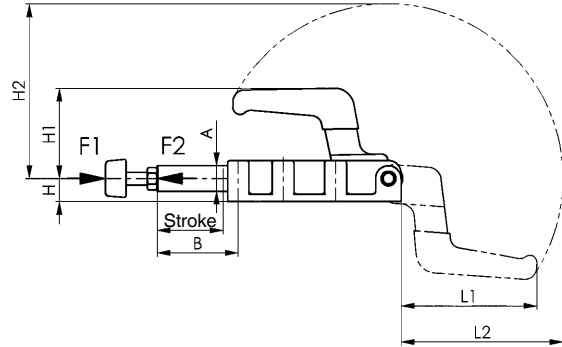
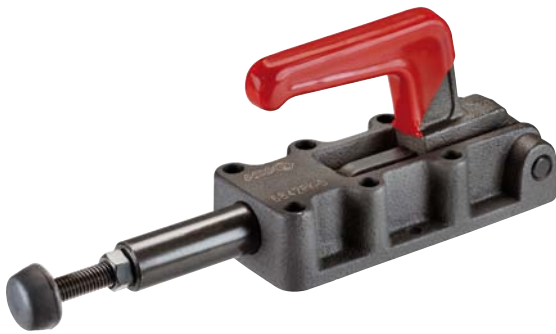
with solid lever. For push- and pull-clamping.
(Equal operation of rod and lever).

Heavy-duty version with long rod-guide. Base of malleable casting, burnished. Hardened pins. Lever-parts and rod of tempered steel, burnished. Handle made of red, oil-resistant plastic.

Complete with tempered, galvanized clamping screw no. 6880.



Order no.	Size	F1 [kN]	F2 [kN]	Clamping screw	Weight [g]
92544	4	7	7	M 8x35	590
92569	5	12	12	M10x50	1650
92585	7	25	25	M12x50	4150
92601	8	45	45	M16x80	7420



Recommendations



No. 6800,
page 10



No. 6811P,
page 22



No. 6842PL,
page 51

Dimensions:

Order no.	Size	A	B	D	E	F	G	H	H1	H2	Stroke	K	L	L1	L2	M	N
92544	4	14	63	5,5	30	90	33,3	12	42,5	96	32	25,0	36,5	69,0	88,0	-	47
92569	5	20	63	8,5	50	137	41,0	18	70,0	136	50	8,0	35,0	105,0	126,0	41	58
92585	7	25	114	10,5	50	198	54,0	22	93,5	196	75	12,0	45,0	151,5	183,5	45	84
92601	8	30	149	10,5	60	254	57,0	28	111,5	247	106	14,5	70,0	196,0	232,0	70	86

No. 6842PL

Heavy push-pull type toggle clamp

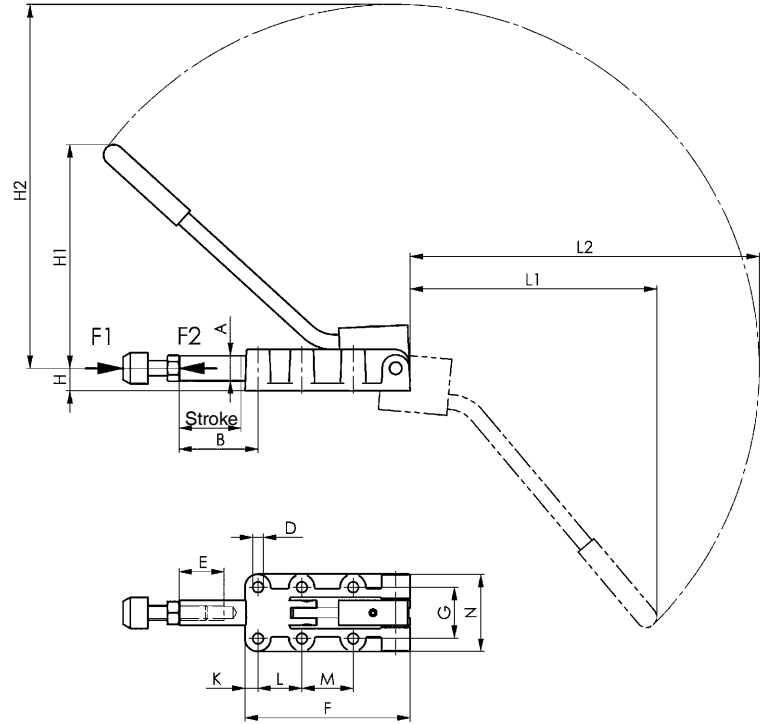
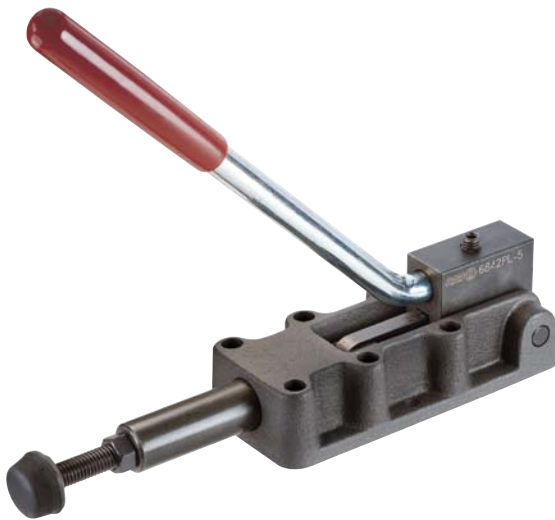
with reversible lever. For push- and pull-clamping.
(Equal operation of rod and lever).

Heavy-duty version with long rod-guide. Base of malleable casting, burnished. Hardened pins. Lever parts and rod made of tempered steel, burnished. Zinc-coated and passivated lever with handle made of red oil-resistant plastic.

Complete with tempered, galvanized clamping screw no. 6880.



Order no.	Size	F1 [kN]	F2 [kN]	Clamping screw	Weight [g]
92627	4	7	7	M 8x35	650
92643	5	12	12	M10x50	1600
92668	7	25	25	M12x50	4280
92684	8	45	45	M16x80	7720



Recommendations



No. 6830,
page 26



No. 6842,
page 48



No. 6842PK,
page 50

Dimensions:

Order no.	Size	A	B	D	E	F	G	H	H1	H2	Stroke	K	L	L1	L2	M	N
92627	4	14	63	5,5	30	90	33,3	12	115,0	190,0	32	25,0	36,5	128	182	-	47
92643	5	20	63	8,5	50	137	41,0	18	178,5	290,5	50	8,0	35,0	197	279	41	58
92668	7	25	114	10,5	50	198	54,0	22	246,0	392,0	75	12,0	45,0	267	374	45	84
92684	8	30	149	10,5	60	254	57,0	28	323,0	523,0	106	14,5	70,0	365	501	70	86

No. 6847

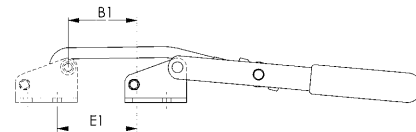
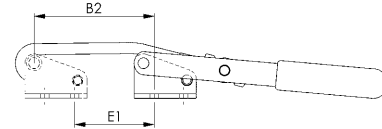
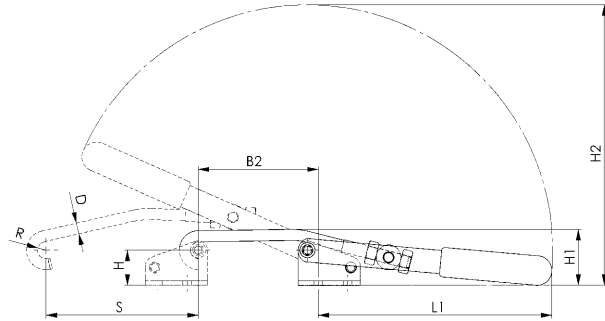
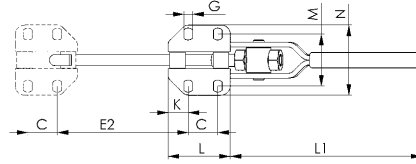
Hook type toggle clamp

Galvanized and passivated. Bushes case hardened and greased; rivets of stainless steel. Hook and clamping sleeve tempered. Handle made of red, oil-resistant plastic. Ergonomic, oil-resistant handle with large grip surface and soft components for size 1.



Order no.	Size	F1	Adjustm. distance	Weight [g]
		[kN]	[mm]	
94524	1	2	8	100
94540	3	3	12	270
94565	5	5	14	850

Also available in „STAINLESS STEEL“ version (no. 6847NI).



Recommendations



No. 6847S, page 75



No. 6848H, page 54

Dimensions:

Order no.	Size	B1	B2	C	D	E1	E2	G	H	H1	H2	K	L	L1	M	N	R	S
94524	1	16-23	35-42	19	5,30	17-24	35-42	4,5	22,7	34,5	111	6	31	62,6	26,0-30,0	40	4,5	45
94540	3	32-44	65-77	19	7,10	39-51	72-84	5,5	22,7	36,0	181	13	40	123,5	31,5-35,5	45	5,5	98
94565	5	26-40	57-71	29	10,75	27-42	58-73	11,2	49,0	69,0	282	13	55	189,5	55,5-63,0	85	8,0	147

No. 6847G

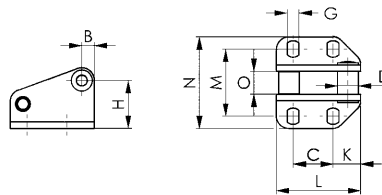
Counter catch

for no. 6847. Galvanized and passivated. Bushes case hardened; rivet of stainless steel.



Order no.	Size	Height	Length	Weight [g]
		[mm]	[mm]	
94623	1	29	31	40
94649	3	29	40	70
94664	5	61	55	320

Also available in „STAINLESS STEEL“ version (no. 6847GNI).



Dimensions:

Order no.	Size	B	C	D	G	H	K	L	M	N	O
94623	1	6	19	8	4,5	22,7	6	31	26,0-30,0	40	6,9
94649	3	6	19	10	5,5	22,7	13	40	31,3-35,8	45	10,9
94664	5	12	29	15	11,2	49,1	13	55	56,5-64,0	86	13,8

Subject to technical alterations.

No. 6847K

Hook type toggle clamp

for cylindrical mounting surfaces.

Galvanized and passivated. Case-hardened, pre-lubricated, continuous bearing bushes. Stainless steel rivets. Tempered hook and clamping sleeve. Handle made of red, oil-resistant plastic. Use socket cap screws to ISO 4762 (DIN 912) for mounting.

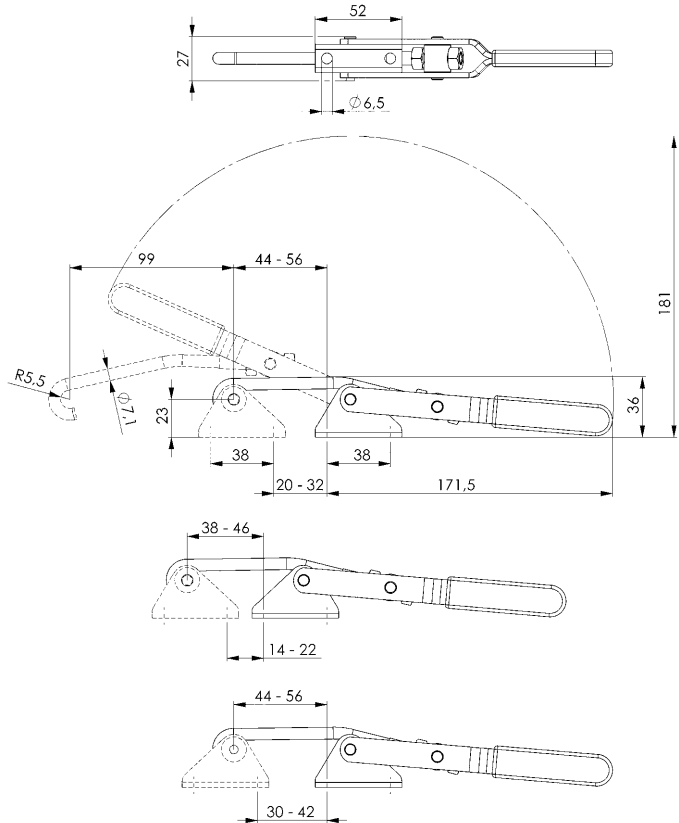


Order no.	Size	F1 [kN]	Adjustm. distance [mm]	Weight [g]
94680	3	3	22	270

Also available in „STAINLESS STEEL“ version (no. 6847KNI).

Note:

The range of movement can be adjusted by swiveling the base and repositioning the catch.



Recommendations



No. 6847S,
page 75



No. 6849PH,
page 58

No. 6847GK

Counter catch

for cylindrical mounting surfaces.

For hook-type toggle clamp no. 6847K. Galvanized and passivated. Case-hardened, continuous bush. Stainless steel rivet. Use socket cap screws to ISO 4762 (DIN 912) for mounting.

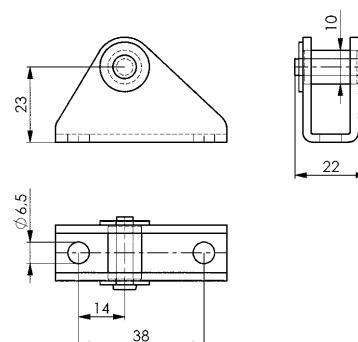


Order no.	Size	Height [mm]	Length [mm]	Weight [g]
94672	3	32	52	65

Also available in „STAINLESS STEEL“ version (no. 6847GKNI).

Note:

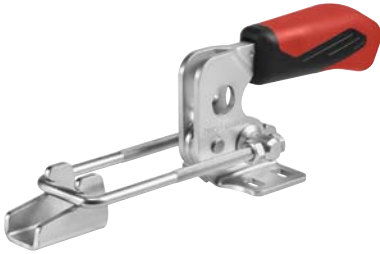
The adjustment range of the clamp can be increased by turning the counter catch.



No. 6848H

Horizontal hook-type toggle clamp with red handle

Galvanized and passivated.
Stainless steel rivets, which run in hardened bushes.
Tempered hook. Bearings are pre-lubricated. Ergonomic, oil-resistant handle with large grip surface and soft components.
Supplied complete with counter catch.



Order no.	Size	F1	Weight
		[kN]	
94698	2	1,6	120
94706	3	3,2	330
94714	4	7,0	810

Also available in „STAINLESS STEEL“ version (no. 6848HNI).

No. 6848HY

Horizontal hook-type toggle clamp with yellow handle

NEW!



Order no.	Size	F1	Weight
		[kN]	
557173	2	1,6	120
557174	3	3,2	330
557175	4	7,0	810

Also available in „STAINLESS STEEL“ version (no. 6848HNIY).

No. 6848HJ

Horizontal hook-type toggle clamp with orange handle

NEW!



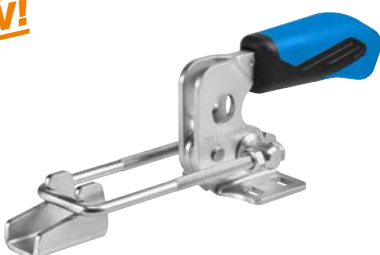
Order no.	Size	F1	Weight
		[kN]	
557405	2	1,6	120
557406	3	3,2	330
557407	4	7,0	810

Also available in „STAINLESS STEEL“ version (no. 6848HNIJ).

No. 6848HE

Horizontal hook-type toggle clamp with blue handle

NEW!



Order no.	Size	F1	Weight
		[kN]	
557718	2	1,6	120
557719	3	3,2	330
557720	4	7,0	810

Also available in „STAINLESS STEEL“ version (no. 6848HNIIE).

No. 6848HG

Horizontal hook-type toggle clamp with green handle

NEW!



Order no.	Size	F1		Weight [g]
			[kN]	
557563	2		1,6	120
557564	3		3,2	330
557565	4		7,0	810

Also available in „STAINLESS STEEL“ version (no. 6848HNIG).

No. 6848HT

Horizontal hook-type toggle clamp with black handle

NEW!



Order no.	Size	F1		Weight [g]
			[kN]	
558056	2		1,6	120
558057	3		3,2	330
558058	4		7,0	810

Also available in „STAINLESS STEEL“ version (no. 6848HNIT).

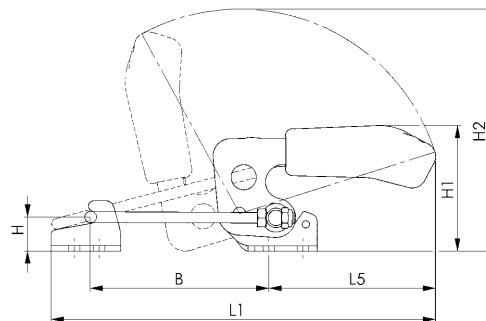
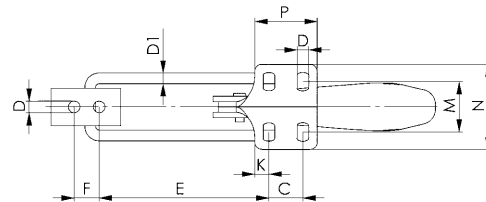
Recommendations



No. 6847SU,
page 75



No. 6848V,
page 56



CAD

Dimensions:

Size	B min.	B max.	C	D	D1	E min.	E max.	F	H	H1	H2	K	L1 min.	L1 max.	L5	M	N	P
2	42,0	76	13	5,2	4	38,0	72	11	12	47,0	99,0	6,4	125	159	69	19,5-23,5	38,0	26,0
3	53,5	101	19	6,5	6	48,6	96	14	19	70,0	135,5	8,0	169	216	93	24,5-32,0	48,0	35,0
4	66,0	130	32	8,5	8	59,0	123	19	26	94,5	171,5	9,5	209	273	111	35,0-46,0	64,3	53,5

Subject to technical alterations.

No. 6848V

Vertical hook-type toggle clamp with red handle

Galvanized and passivated.
Stainless steel rivets, which run in hardened bushes.
Tempered hook. Bearings are pre-lubricated. Ergonomic, oil-resistant handle with large grip surface and soft components.
Supplied complete with counter catch.



Order no.	Size	F1	Weight
		[kN]	
94755	2	1,6	130
94763	3	3,2	340
94771	4	7,0	810

Also available in „STAINLESS STEEL“ version (no. 6848VNI).

No. 6848VY

Vertical hook-type toggle clamp with yellow handle

NEW!



Order no.	Size	F1	Weight
		[kN]	
557176	2	1,6	130
557177	3	3,2	340
557178	4	7,0	810

Also available in „STAINLESS STEEL“ version (no. 6848VNIY).

No. 6848VJ

Vertical hook-type toggle clamp with orange handle

NEW!



Order no.	Size	F1	Weight
		[kN]	
557408	2	1,6	130
557409	3	3,2	340
557411	4	7,0	810

Also available in „STAINLESS STEEL“ version (no. 6848VNIJ).

No. 6848VE

Vertical hook-type toggle clamp with blue handle

NEW!



Order no.	Size	F1	Weight
		[kN]	
557721	2	1,6	130
557722	3	3,2	340
557723	4	7,0	810

Also available in „STAINLESS STEEL“ version (no. 6848VNIIE).

No. 6848VG

Vertical hook-type toggle clamp with green handle

NEW!



Order no.	Size	F1		Weight [g]
		[kN]		
557566	2	1,6		130
557567	3	3,2		340
557568	4	7,0		810

Also available in „STAINLESS STEEL“ version (no. 6848VNIG).

No. 6848VT

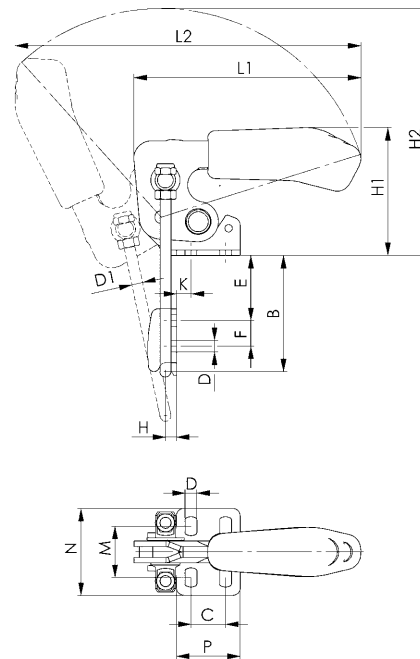
Vertical hook-type toggle clamp with black handle

NEW!



Order no.	Size	F1		Weight [g]
		[kN]		
558126	2	1,6		130
558127	3	3,2		340
558128	4	7,0		810

Also available in „STAINLESS STEEL“ version (no. 6848VNIT).



Recommendations



No. 6847,
page 52



No. 6848H,
page 54



No. 6849PH,
page 58

Dimensions:

Size	B min.	B max.	C	D	D1	E min.	E max.	F	H	H1	H2	K	L1	L2	M	N	P
2	24,0	49	13	5,2	4	5	30	11	4,5	47,0	99	6,4	91	158	19,5-23,5	38,0	26,0
3	34,5	64	19	6,5	6	7	36	14	6,0	70,0	136	8,0	125	190	24,5-32,0	48,0	35,0
4	43,0	81	32	8,5	8	9	47	19	8,0	94,5	168	9,5	151	239	35,0-46,0	64,5	53,5

Subject to technical alterations.

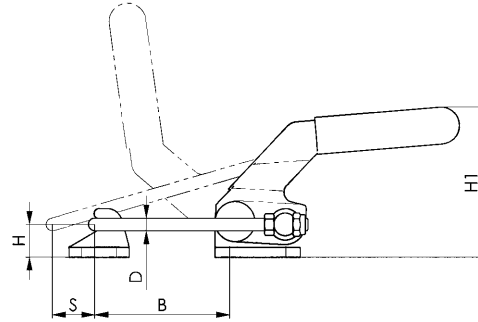
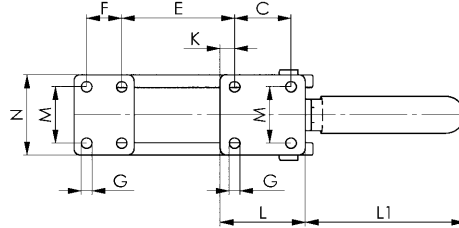
No. 6849PH

Heavy hook type toggle clamp

for high retaining force.
 Pins hardened, ground and permanently-lubricated.
 Circlips are used to retain pins in bearing bushes, and to centre the clamping pin. Foot, lever arm and catch are made of cast steel and blued. Stirrup, pins and nuts are heat-treated and zinc-plated. Handle grip is red, oil-resistant plastic.
Supplied complete with counter catch.



Order no.	Size	F1	Adjustm. distance	Weight
		[kN]	[mm]	[g]
93849	4	15	66	2830
93856	5	27	65	4020



Recommendations



No. 6847K,
page 53



No. 6848H,
page 54



No. 6811P,
page 22

Dimensions:

Order no.	Size	B	C	D	E	F	G	H	H1	K	L	L1	M	N	S
93849	4	42-107	45	10	24-90	28	8,5	26	122	12,0	68	130	45	64	44
93856	5	49-114	57	12	28-93	35	10,5	32	146	12,5	86	164	57	82	47

Subject to technical alterations.



Subject to technical alterations.

THE ADVANTAGES OF THE SAFETY LATCH

The patented safety latch will hold the clamping arm of a manual clamp in both the closed and open positions, so that it is protected against unintentional opening or closing through vibration or if the clamp is mounted overhead.

A clear argument for safety in the workplace!



No. 6800S

Vertical toggle clamp with red handle and safety latch

for open and clamped positions.

With open clamping arm and horizontal base.

Galvanized and passivated. Stainless steel rivets, which run in hardened bushes. Bearings are pre-lubricated.

Ergonomic, oil-resistant handle with large grip surface and soft components. Safety clamping piece with finger protection. Lock washer for the thrust bolt at the end of the clamping arm.

Complete with tempered, galvanized clamping screw no. 6890.



Order no.	Size	F1 [kN]	F2 [kN]	Clamping screw	Weight [g]
90134	2	1,0	1,2	M6x35	260
90142	3	1,4	2,5	M8x45	470
90159	4	2,0	3,0	M8x65	690

No. 6800SY

Vertical toggle clamp with yellow handle and safety latch

NEW!



Order no.	Size	F1 [kN]	F2 [kN]	Clamping screw	Weight [g]
557179	2	1,0	1,2	M6x35	260
557180	3	1,4	2,5	M8x45	470
557181	4	2,0	3,0	M8x65	690

No. 6800SJ

Vertical toggle clamp with orange handle and safety latch

NEW!



Order no.	Size	F1 [kN]	F2 [kN]	Clamping screw	Weight [g]
557417	2	1,0	1,2	M6x35	260
557418	3	1,4	2,5	M8x45	470
557419	4	2,0	3,0	M8x65	690

Subject to technical alterations.

No. 6800SE

Vertical toggle clamp with blue handle and safety latch

NEW!



Order no.	Size	F1 [kN]	F2 [kN]	Clamping screw	Weight [g]
557724	2	1,0	1,2	M6x35	260
557725	3	1,4	2,5	M8x45	470
557726	4	2,0	3,0	M8x65	690

No. 6800SG

Vertical toggle clamp with green handle and safety latch

NEW!



Order no.	Size	F1 [kN]	F2 [kN]	Clamping screw	Weight [g]
557569	2	1,0	1,2	M6x35	260
557570	3	1,4	2,5	M8x45	470
557571	4	2,0	3,0	M8x65	690

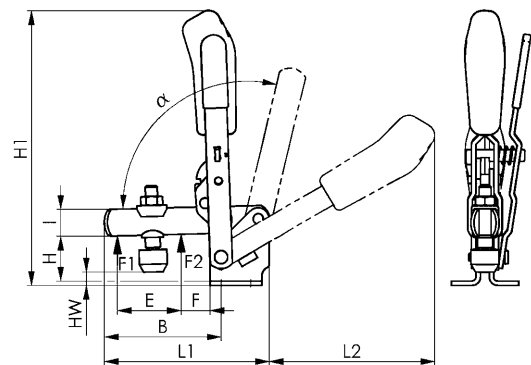
No. 6800ST

Vertical toggle clamp with black handle and safety latch

NEW!



Order no.	Size	F1 [kN]	F2 [kN]	Clamping screw	Weight [g]
558129	2	1,0	1,2	M6x35	260
558130	3	1,4	2,5	M8x45	470
558131	4	2,0	3,0	M8x65	690



CAD

Recommendations



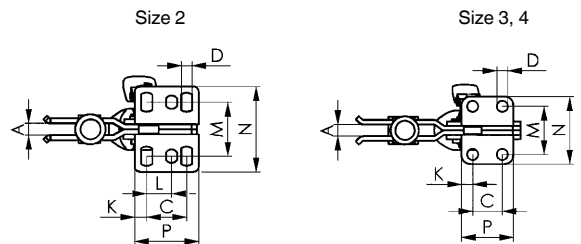
No. 6891,
page 151



No. 6800,
page 10



No. 6860,
page 38



Dimensions:

Size	A	B	C	D	E	F	H	H1	HW min.	HW max.	I	K	L	L1	L2	M	N	P	α	α*
2	6	52	20	5,5	25	11	23,0	139,5	-3	4,5	12	6,0	12,5	78	89	23-31	43	32	105°	60°
3	8	79	20	7,5	36	19	33,0	186,0	2	11,0	18	7,5	-	112	112	32,5	46	35	105°	60°
4	10	101	32	8,6	54	16	42,5	221,0	-6	22,5	20	13,0	-	141	130	45,0	64	53	105°	60°

* The opening angle can be changed by pressing in a stop pin.

Subject to technical alterations.

No. 6802S

Vertical toggle clamp with red handle and safety latch

for open and clamped positions.

With open clamping arm and vertical base.

Galvanized and passivated. Stainless steel rivets, which run in hardened bushes. Bearings are pre-lubricated.

Ergonomic, oil-resistant handle with large grip surface and soft components. Safety clamping piece with finger protection. Lock washer for the thrust bolt at the end of the clamping arm.

Complete with tempered, galvanized clamping screw no. 6890.



Order no.	Size	F1 [kN]	F2 [kN]	Clamping screw	Weight [g]
90209	2	1,0	1,2	M6x35	175
90274	3	1,4	2,5	M8x45	470
90282	4	2,0	3,0	M8x65	690

No. 6802SY

Vertical toggle clamp with yellow handle and safety latch

NEW!



Order no.	Size	F1 [kN]	F2 [kN]	Clamping screw	Weight [g]
557182	2	1,0	1,2	M6x35	175
557183	3	1,4	2,5	M8x45	470
557184	4	2,0	3,0	M8x65	690

No. 6802SJ

Vertical toggle clamp with orange handle and safety latch

NEW!



Order no.	Size	F1 [kN]	F2 [kN]	Clamping screw	Weight [g]
557420	2	1,0	1,2	M6x35	175
557421	3	1,4	2,5	M8x45	470
557422	4	2,0	3,0	M8x65	690

No. 6802SE

Vertical toggle clamp with blue handle and safety latch

NEW!



Order no.	Size	F1 [kN]	F2 [kN]	Clamping screw	Weight [g]
557735	2	1,0	1,2	M6x35	175
557736	3	1,4	2,5	M8x45	470
557737	4	2,0	3,0	M8x65	690

Subject to technical alterations.

No. 6802SG

Vertical toggle clamp with green handle and safety latch

NEW!



Order no.	Size	F1 [kN]	F2 [kN]	Clamping screw	Weight [g]
557572	2	1,0	1,2	M6x35	175
557573	3	1,4	2,5	M8x45	470
557574	4	2,0	3,0	M8x65	690

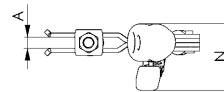
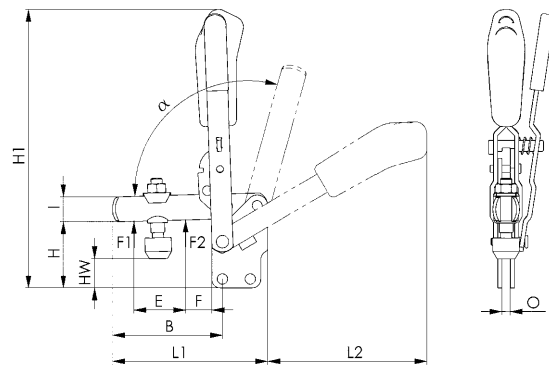
No. 6802ST

Vertical toggle clamp with black handle and safety latch

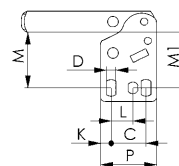
NEW!



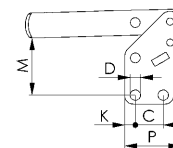
Order no.	Size	F1 [kN]	F2 [kN]	Clamping screw	Weight [g]
558136	2	1,0	1,2	M6x35	175
558137	3	1,4	2,5	M8x45	470
558138	4	2,0	3,0	M8x65	690



Size 2



Size 3, 4



CAD

Recommendations



No. 6895,
page 154



No. 6802,
page 12



No. 6820A,
page 120

Dimensions:

Size	A	B	C	D	E	F	H	H1	HW min.	HW max.	I	K	L	L1	L2	M	M1	N	O	P	α	α*
2	6	52	20	5,5	25	11	38	154	11,5	19,5	12	6,0	12,5	78	89	28,5-32	30	37,5	5	32	105°	60°
3	8	79	20	7,5	37	19	48	200	10,0	18,5	18	7,5	-	111	114	41,0	-	48,0	6	40	105°	60°
4	10	101	32	8,6	54	16	65	244	16,5	45,5	20	13,0	-	141	130	55,5	-	53,0	8	53	105°	60°

* The opening angle can be changed by pressing in a stop pin.

Subject to technical alterations.

No. 6803S

Vertical toggle clamp with red handle and safety latch

for open and clamped positions.

With open clamping arm and angled base.

Galvanized and passivated. Stainless steel rivets, which run in hardened bushes. Bearings are pre-lubricated.

Ergonomic, oil-resistant handle with large grip surface and soft components. Safety clamping piece with finger protection. Lock washer for the thrust bolt at the end of the clamping arm.

Complete with tempered, galvanized clamping screw no. 6890.



Order no.	Size	F1 [kN]	F2 [kN]	Clamping screw	Weight [g]
90357	2	1,0	1,2	M6x35	250
90365	3	1,4	2,5	M8x45	535
90373	4	2,0	3,0	M8x65	750

No. 6803SY

Vertical toggle clamp with yellow handle and safety latch

NEW!



Order no.	Size	F1 [kN]	F2 [kN]	Clamping screw	Weight [g]
557202	2	1,0	1,2	M6x35	250
557203	3	1,4	2,5	M8x45	535
557204	4	2,0	3,0	M8x65	750

No. 6803SJ

Vertical toggle clamp with orange handle and safety latch

NEW!



Order no.	Size	F1 [kN]	F2 [kN]	Clamping screw	Weight [g]
557423	2	1,0	1,2	M6x35	250
557424	3	1,4	2,5	M8x45	535
557425	4	2,0	3,0	M8x65	750

No. 6803SE

Vertical toggle clamp with blue handle and safety latch

NEW!



Order no.	Size	F1 [kN]	F2 [kN]	Clamping screw	Weight [g]
557738	2	1,0	1,2	M6x35	250
557739	3	1,4	2,5	M8x45	535
557740	4	2,0	3,0	M8x65	750

Subject to technical alterations.

No. 6803SG

Vertical toggle clamp with green handle and safety latch

NEW!



Order no.	Size	F1 [kN]	F2 [kN]	Clamping screw	Weight [g]
557575	2	1,0	1,2	M6x35	250
557576	3	1,4	2,5	M8x45	535
557577	4	2,0	3,0	M8x65	750

No. 6803ST

Vertical toggle clamp with black handle and safety latch

NEW!



Order no.	Size	F1 [kN]	F2 [kN]	Clamping screw	Weight [g]
558149	2	1,0	1,2	M6x35	250
558150	3	1,4	2,5	M8x45	535
558151	4	2,0	3,0	M8x65	750

Recommendations



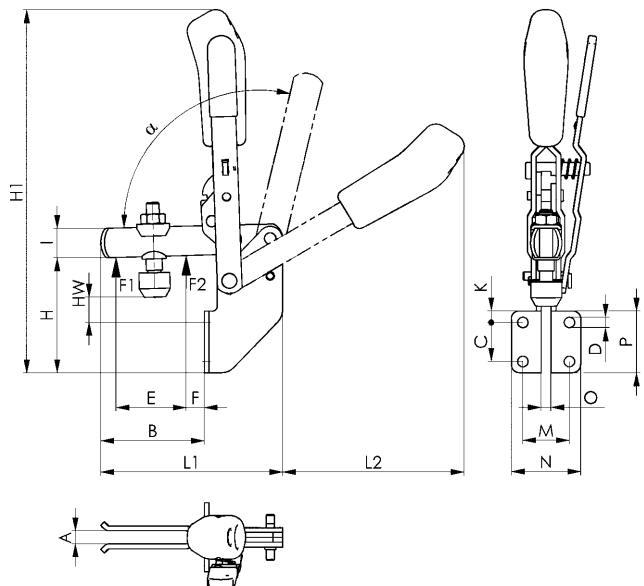
No. 6896,
page 153



No. 6803,
page 14



No. 6821A,
page 121



Dimensions:

Size	A	B	C	D	E	F	H	H1	HW min.	HW max.	I	K	L1	L2	M	N	O	P	α	α*
2	6	40	20	5,5	25	9	61	180	2	11	12	6	78	63	25,5	38	5	32	105°	60°
3	8	65	24	6,5	43	11	71	243	6	18	18	7	112	111	28,5	43	6	38	105°	60°
4	10	84	32	8,5	50	17	102	280	11	40	20	54	140	129	32,0	52	8	96	105°	60°

* The opening angle can be changed by pressing in a stop pin.

Subject to technical alterations.

No. 6804S

Vertical toggle clamp with red handle and safety latch

for open and clamped positions.

With solid clamping arm and horizontal base.

Galvanized and passivated. Stainless steel rivets, which run in hardened bushes. Bearings are pre-lubricated.

Ergonomic, oil-resistant handle with large grip surface and soft components. Safety clamping piece with finger protection.

Complete with tempered, galvanized clamping screw no. 6890 and sleeve to weld on.



Order no.	Size	F1 [kN]	F2 [kN]	Clamping screw	Weight [g]
90399	3	1,4	2,5	M8x45	470
90407	4	2,0	3,0	M8x65	690

No. 6804SY

Vertical toggle clamp with yellow handle and safety latch

NEW!



Order no.	Size	F1 [kN]	F2 [kN]	Clamping screw	Weight [g]
557205	3	1,4	2,5	M8x45	470

No. 6804SJ

Vertical toggle clamp with orange handle and safety latch

NEW!



Order no.	Size	F1 [kN]	F2 [kN]	Clamping screw	Weight [g]
557426	3	1,4	2,5	M8x45	470

No. 6804SE

Vertical toggle clamp with blue handle and safety latch

NEW!



Order no.	Size	F1 [kN]	F2 [kN]	Clamping screw	Weight [g]
557746	3	1,4	2,5	M8x45	470

Subject to technical alterations.

No. 6804SG

Vertical toggle clamp with green handle and safety latch

NEW!



Order no.	Size	F1 [kN]	F2 [kN]	Clamping screw	Weight [g]
557578	3	1,4	2,5	M8x45	470

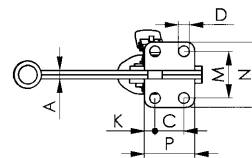
No. 6804ST

Vertical toggle clamp with black handle and safety latch

NEW!



Order no.	Size	F1 [kN]	F2 [kN]	Clamping screw	Weight [g]
558155	3	1,4	2,5	M8x45	470



Recommendations



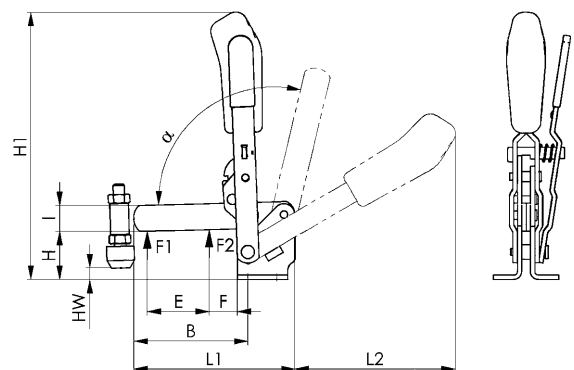
No. 6886,
page 151



No. 6804,
page 16



No. 6834S,
page 72



Dimensions:

Size	A	B	C	D	E	F	H	H1	HW min.	HW max.	I	K	L1	L2	M	N	P	α	α^*
3	6	81	20	7,1	43	19	48,0	186	0	12	18	7,5	112	112	32	46	35	105°	60°
4	8	101	32	8,5	61	16	42,5	220	-8	21	20	13,0	140	130	45	64	53	105°	60°

* The opening angle can be changed by pressing in a stop pin.

Subject to technical alterations.

No. 6830S

Horizontal toggle clamp with red handle and safety latch

for open and clamped positions.

With open clamping arm and horizontal base.

Galvanized and passivated. Stainless steel rivets which run in hardened bushes, bearings are lubricated.

Ergonomic, oil-resistant handle with large grip surface and soft components. Lock washer for the thrust bolt at the end of the clamping arm.

Complete with tempered, galvanized clamping screw no. 6890.



Order no.	Size	F1 [kN]	F2 [kN]	Clamping screw	Weight [g]
92650	3	1,8	2,5	M8x45	390
93112	4	2,0	3,0	M8x65	800

Note:

For suitable sensor monitor for size 3 see no. 6897S.

No. 6830SY

Horizontal toggle clamp with yellow handle and safety latch

NEW!



Order no.	Size	F1 [kN]	F2 [kN]	Clamping screw	Weight [g]
557206	3	1,8	2,5	M8x45	390
557207	4	2,0	3,0	M8x65	800

No. 6830SJ

Horizontal toggle clamp with orange handle and safety latch

NEW!

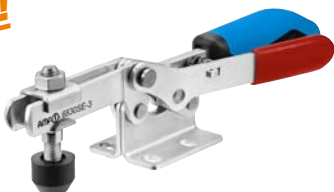


Order no.	Size	F1 [kN]	F2 [kN]	Clamping screw	Weight [g]
557427	3	1,8	2,5	M8x45	390
557428	4	2,0	3,0	M8x65	800

No. 6830SE

Horizontal toggle clamp with blue handle and safety latch

NEW!



Order no.	Size	F1 [kN]	F2 [kN]	Clamping screw	Weight [g]
557747	3	1,8	2,5	M8x45	390
557748	4	2,0	3,0	M8x65	800

No. 6830SG

Horizontal toggle clamp with green handle and safety latch

NEW!



Order no.	Size	F1 [kN]	F2 [kN]	Clamping screw	Weight [g]
557579	3	1,8	2,5	M8x45	390
557580	4	2,0	3,0	M8x65	800

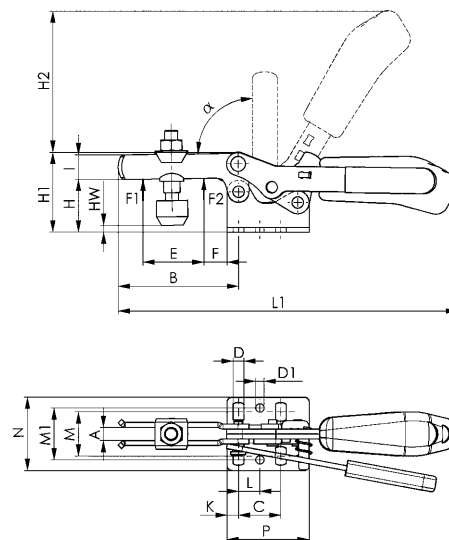
No. 6830ST

Horizontal toggle clamp with black handle and safety latch

NEW!



Order no.	Size	F1 [kN]	F2 [kN]	Clamping screw	Weight [g]
558156	3	1,8	2,5	M8x45	390
558157	4	2,0	3,0	M8x65	800



CAD

Dimensions:

Size	A	B	C	D	D1	E	F	H	H1	H2	HW min.	HW max.	I	K	L	L1	M	M1	N	P	α
3	8	73	25,7	6,5	5,1	38	14	32	48,5	86,0	-2	9	15	7	13,0	206	22,0-31,8	31,6	45,5	50	90°
4	10	113	41,0	8,5	8,5	63	27	45	75,0	126,5	-4	24	20	8	20,5	287	29,0-43,0	43,0	58	57	90°

Subject to technical alterations.

No. 6832S

Horizontal toggle clamp with red handle and safety latch

for open and clamped positions.
With open clamping arm and vertical base.

Galvanized and passivated. Stainless steel rivets, which run in hardened bushes. Bearings are pre-lubricated.

Ergonomic, oil-resistant handle with large grip surface and soft components. Lock washer for the thrust bolt at the end of the clamping arm.

Complete with tempered, galvanized clamping screw no. 6890.



Order no.	Size	F1 [kN]	F2 [kN]	Clamping screw	Weight [g]
93195	3	1,8	2,5	M8x45	390
93260	4	2,0	3,0	M8x65	800

No. 6832SY

Horizontal toggle clamp with yellow handle and safety latch

NEW!



Order no.	Size	F1 [kN]	F2 [kN]	Clamping screw	Weight [g]
557209	3	1,8	2,5	M8x45	390
557210	4	2,0	3,0	M8x65	800

No. 6832SJ

Horizontal toggle clamp with orange handle and safety latch

NEW!



Order no.	Size	F1 [kN]	F2 [kN]	Clamping screw	Weight [g]
557429	3	1,8	2,5	M8x45	390
557430	4	2,0	3,0	M8x65	800

No. 6832SE

Horizontal toggle clamp with blue handle and safety latch

NEW!



Order no.	Size	F1 [kN]	F2 [kN]	Clamping screw	Weight [g]
557749	3	1,8	2,5	M8x45	390
557750	4	2,0	3,0	M8x65	800

No. 6832SG

Horizontal toggle clamp with green handle and safety latch

NEW!



Order no.	Size	F1 [kN]	F2 [kN]	Clamping screw	Weight [g]
557581	3	1,8	2,5	M8x45	390
557582	4	2,0	3,0	M8x65	800

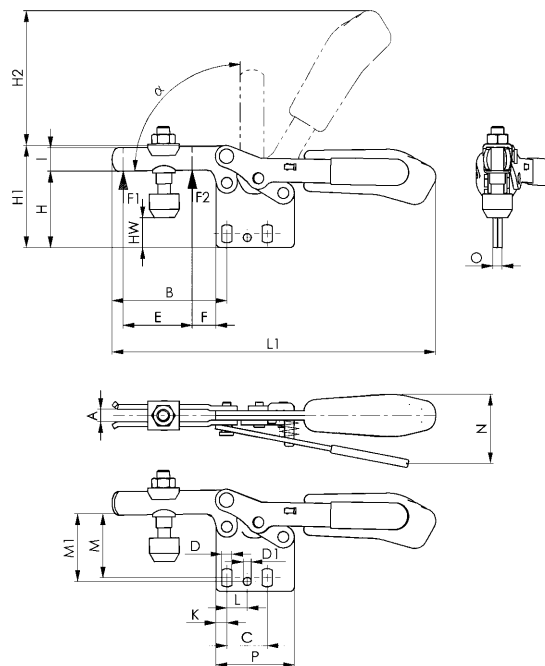
No. 6832ST

Horizontal toggle clamp with black handle and safety latch

NEW!



Order no.	Size	F1 [kN]	F2 [kN]	Clamping screw	Weight [g]
558158	3	1,8	2,5	M8x45	390
558159	4	2,0	3,0	M8x65	800



Dimensions:

Size	A	B	C	D	D1	E	F	H	H1	H2	HW min.	HW max.	I	K	L	L1	M	M1	N	O	P	α
3	8	73	25,7	6,5	5,1	38	14	49,0	65	86	14,5	26	15	7	13,0	206	37,5-42,5	42	48	6	50	90°
4	10	113	41,0	8,5	8,5	63	27	66,5	97	115	17,5	46	20	8	20,5	287	52,0-59,0	59	51	8	57	90°

Subject to technical alterations.

No. 6834S

Horizontal toggle clamp with red handle and safety latch

for open and clamped positions.

With solid clamping arm and horizontal base.

Galvanized and passivated. Stainless steel rivets, which run in hardened bushes. Bearings are pre-lubricated.

Ergonomic, oil-resistant handle with large grip surface and soft components.

Complete with tempered, galvanized clamping screw no. 6885 and sleeve to weld on.



Order no.	Size	F1 [kN]	F2 [kN]	Clamping screw	Weight [g]
93534	4	2	3	M8x65	800

No. 6834SY

Horizontal toggle clamp with yellow handle and safety latch

NEW!



Order no.	Size	F1 [kN]	F2 [kN]	Clamping screw	Weight [g]
557211	4	2	3	M8x65	800

No. 6834SJ

Horizontal toggle clamp with orange handle and safety latch

NEW!



Order no.	Size	F1 [kN]	F2 [kN]	Clamping screw	Weight [g]
557431	4	2	3	M8x65	800

No. 6834SE

Horizontal toggle clamp with blue handle and safety latch

NEW!



Order no.	Size	F1 [kN]	F2 [kN]	Clamping screw	Weight [g]
557751	4	2	3	M8x65	800

Subject to technical alterations.

No. 6834SG

Horizontal toggle clamp with green handle and safety latch

NEW!



Order no.	Size	F1 [kN]	F2 [kN]	Clamping screw	Weight [g]
557583	4	2	3	M8x65	800

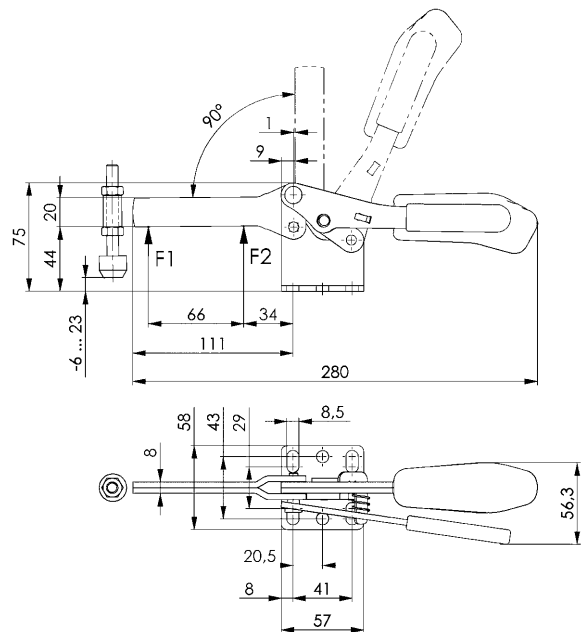
No. 6834ST

Horizontal toggle clamp with black handle and safety latch

NEW!



Order no.	Size	F1 [kN]	F2 [kN]	Clamping screw	Weight [g]
558160	4	2	3	M8x65	800



CAD

Recommendations



No. 6886,
page 151



No. 6834,
page 32



No. 6804S,
page 66

No. 6840S

Push-pull type toggle clamp with safety latch

For open and clamped positions.

Without angle base. Push and pull-clamping (equal operation of rod and lever).

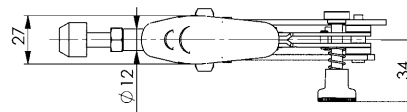
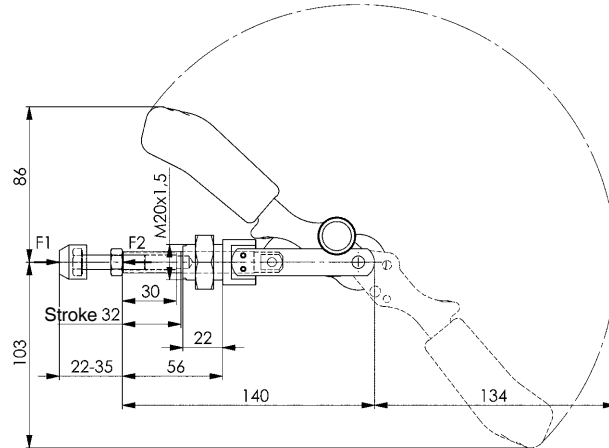
Long rod-guide with attaching thread and nut. Rivets made of stainless steel, lever-parts and rod of tempered steel. Bearings are pre-lubricated.

Ergonomic, oil-resistant handle with large grip surface and soft components.

Complete with tempered, galvanized clamping screw no. 6880.



Order no.	Size	F1 [kN]	F2 [kN]	Clamping screw	Weight [g]
92619	3	2,5	2,5	M8x35	402



Recommendations



No. 6843,
page 46



No. 6844,
page 44



No. 6800S,
page 60

Subject to technical alterations.

No. 6847S

Hook type toggle clamp with safety latch

Lock when closed.

Galvanized and passivated. Case-hardened, pre-lubricated bearing bushes. Rivet is stainless steel. Hook and clamping sleeve tempered. Handle made of red, oil-resistant plastic.



CAD

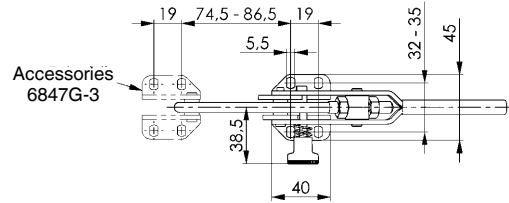
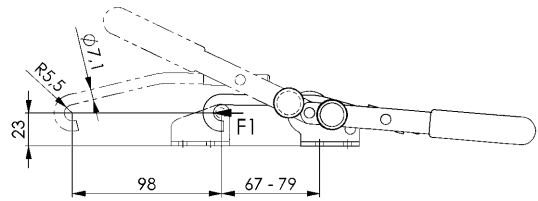
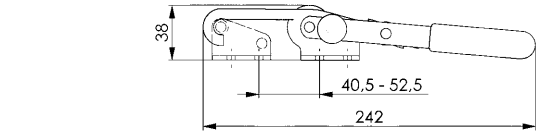
Order no.	Size	F1 [kN]	Weight [g]
93666	3	3	295

Note:

The engagement height of 23 mm must be observed to ensure secure latching.

On request:

A „stainless steel“ version is available.



Recommendations



No. 6847G, page 52



No. 6847, page 52



No. 6847SU, page 75

No. 6847SU

Hook type toggle clamp with safety latch

U-shackle, locks when closed.

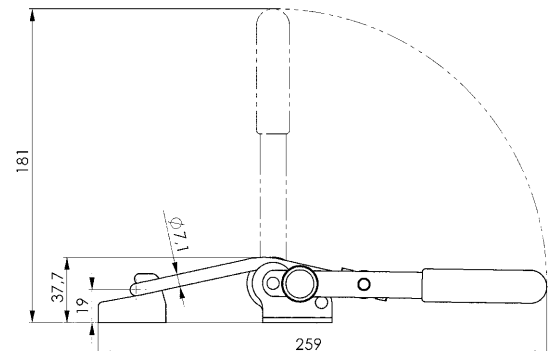
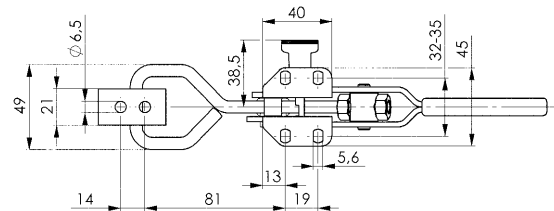
Galvanized and passivated. Case-hardened, pre-lubricated bearing bushes. Stainless steel rivets. Tempered shackle and clamping sleeve. Handle made of red, oil-resistant plastic.

Supplied complete with counter catch.



CAD

Order no.	Size	F1 [kN]	Weight [g]
91470	3	3	295



Recommendations



No. 6848H, page 54



No. 6848V, page 56



No. 6849PH, page 58

No. 6848HS

Horizontal hook-type toggle clamp with red handle and safety latch

Galvanized and passivated. Stainless steel rivets, which run in hardened bushes. Tempered hook. Bearings are pre-lubricated. Ergonomic, oil-resistant handle with large grip surface and soft components.

Supplied complete with counter catch.



Order no.	Size	F1	Weight
		[kN]	[g]
92692	4	7,0	850

Also available in „STAINLESS STEEL“ version (no. 6848HSNI).

No. 6848HSY

Horizontal hook-type toggle clamp with yellow handle and safety latch

NEW!



Order no.	Size	F1	Weight
		[kN]	[g]
557212	4	7,0	850

Also available in „STAINLESS STEEL“ version (no. 6848HSNIY).

No. 6848HSJ

Horizontal hook-type toggle clamp with orange handle and safety latch

NEW!



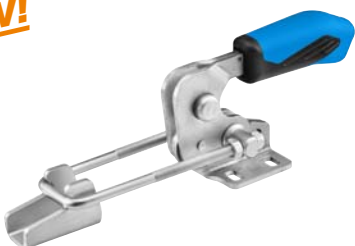
Order no.	Size	F1	Weight
		[kN]	[g]
557432	4	7,0	850

Also available in „STAINLESS STEEL“ version (no. 6848HSNIJ).

No. 6848HSE

Horizontal hook-type toggle clamp with blue handle and safety latch

NEW!



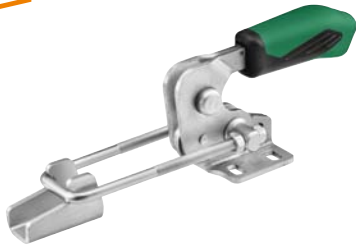
Order no.	Size	F1	Weight
		[kN]	[g]
557752	4	7,0	850

Also available in „STAINLESS STEEL“ version (no. 6848HSNIE).

No. 6848HSG

Horizontal hook-type toggle clamp with green handle and safety latch

NEW!



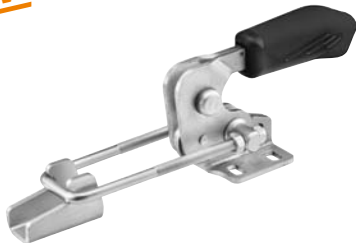
Order no.	Size	F1 [kN]	Weight [g]
557584	4	7,0	850

Also available in „STAINLESS STEEL“ version (no. 6848HSNIG).

No. 6848HST

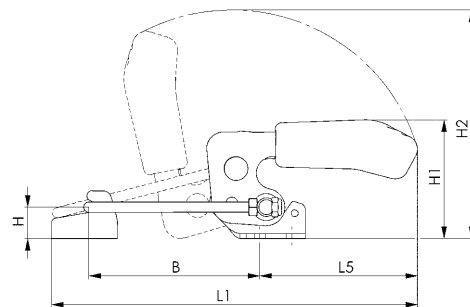
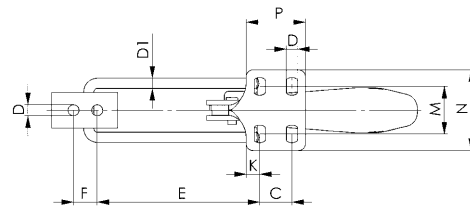
Horizontal hook-type toggle clamp with black handle and safety latch

NEW!



Order no.	Size	F1 [kN]	Weight [g]
558161	4	7,0	850

Also available in „STAINLESS STEEL“ version (no. 6848HSNIT).



CAD

Recommendations



No. 6847SU,
page 75



No. 6847S,
page 75



No. 6848GH,
page 155

Dimensions:

Size	B min.	B max.	C	D	D1	E min.	E max.	F	H	H1	H2	K	L1 min.	L1 max.	L5	M	N	P
4	66	130	32	8,5	8	59	123	19	26	94	168	9,5	209	273	111	35-46	64,3	53,5

Subject to technical alterations.

Toggle clamp made from 1.4301 / V2A or 1.4567 for special-purpose applications - in the chemical and food industries for example. Especially well suited to applications on machines and devices that are subject to hygiene regulations or are used outdoors under unfavourable weather conditions or in corrosive environments.

THE ADVANTAGES OF STAINLESS STEEL:

Primary positive properties of the material are its resistance to corrosion due to humidity, water or other external influences and its resistance to acids. In addition, the material exhibits antimagnetic properties. Additional finishing work such as painting or galvanizing, either before or after installation or use, is generally not required. This saves time and eliminates additional costs.



**INOX
STAINLESS STEEL**

No. 6800NI

Vertical toggle clamp with red handle with open clamping arm and horizontal base.

Stainless steel, polished. In sizes 2 to 4, rivets run in bearing bushes. Bearings are pre-lubricated. Ergonomic, oil-resistant handle with large grip surface and soft components.

Supplied complete with stainless clamping screw no. 6890NI.

Also suitable for use in the food industry.

Order no.	Size	F1 [kN]	F2 [kN]	Clamping screw	Weight [g]
95000	0	0,5	0,7	M4x25	60
95026	1	0,6	1,1	M5x30	105
95042	2	0,8	1,2	M6x35	175
95067	3	1,2	2,5	M8x45	410
95083	4	1,7	3,0	M8x65	630



No. 6800NIY

Vertical toggle clamp with yellow handle



NEW!

Order no.	Size	F1 [kN]	F2 [kN]	Clamping screw	Weight [g]
557213	0	0,5	0,7	M4x25	60
557214	1	0,6	1,1	M5x30	105
557215	2	0,8	1,2	M6x35	175
557216	3	1,2	2,5	M8x45	410
557217	4	1,7	3,0	M8x65	630

No. 6800NIJ

Vertical toggle clamp with orange handle



NEW!

Order no.	Size	F1 [kN]	F2 [kN]	Clamping screw	Weight [g]
557433	0	0,5	0,7	M4x25	60
557434	1	0,6	1,1	M5x30	105
557435	2	0,8	1,2	M6x35	175
557436	3	1,2	2,5	M8x45	410
557437	4	1,7	3,0	M8x65	630

Subject to technical alterations.

No. 6800NIE

Vertical toggle clamp with blue handle



NEW!



Order no.	Size	F1 [kN]	F2 [kN]	Clamping screw	Weight [g]
557753	0	0,5	0,7	M4x25	60
557754	1	0,6	1,1	M5x30	105
557755	2	0,8	1,2	M6x35	175
557756	3	1,2	2,5	M8x45	410
557757	4	1,7	3,0	M8x65	630

No. 6800NIG

Vertical toggle clamp with green handle



NEW!



Order no.	Size	F1 [kN]	F2 [kN]	Clamping screw	Weight [g]
557586	0	0,5	0,7	M4x25	60
557587	1	0,6	1,1	M5x30	105
557588	2	0,8	1,2	M6x35	175
557589	3	1,2	2,5	M8x45	410
557590	4	1,7	3,0	M8x65	630

No. 6800NIT

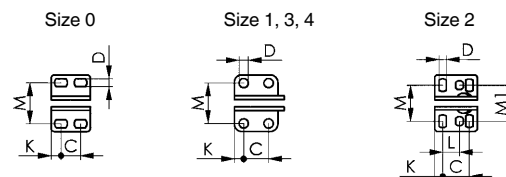
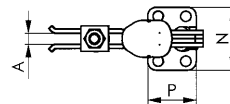
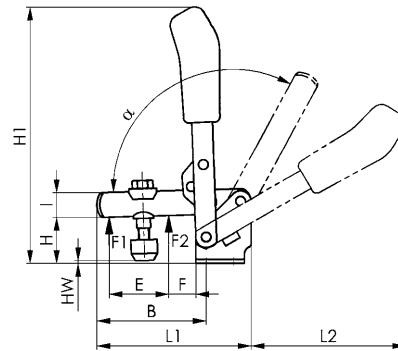
Vertical toggle clamp with black handle



NEW!



Order no.	Size	F1 [kN]	F2 [kN]	Clamping screw	Weight [g]
558164	0	0,5	0,7	M4x25	60
558165	1	0,6	1,1	M5x30	105
558166	2	0,8	1,2	M6x35	175
558167	3	1,2	2,5	M8x45	410
558168	4	1,7	3,0	M8x65	630



Dimensions:

Size	A	B	C	D	E	F	H	H1	HW min.	HW max.	I	K	L	L1	L2	M	M1	N	P	α	α*
0	4	31	8,5-13,5	4,5	14,0	5,5	18,0	81	-1,5	3,5	8	4,3	-	49	50	23	-	32	22	95°	-
1	5	39	16	4,5	17,5	6,0	19,0	98	-4,2	2,0	10	5,5	-	61	57	24	-	34	27	95°	-
2	6	52	20	5,5	25,0	11,0	23,0	129	-3,3	5,0	12	6,0	12,5	78	80	23-31	27	43	32	105°	60°
3	8	79	20	7,5	36,0	19,0	33,0	186	2,4	11,2	18	7,5	-	112	112	32	-	46	35	105°	60°
4	10	100	32	8,5	54,0	16,0	42,5	220	-6,0	22,0	20	13,0	-	141	130	45	-	64	53	105°	60°

* The opening angle can be changed by pressing in a stop pin.

Subject to technical alterations.

No. 6803NI

Vertical toggle clamp with red handle

with open clamping arm and angle base.

Stainless steel, polished. Rivets running in greased bushes. Ergonomic, oil-resistant handle with large grip surface and soft components.

Supplied complete with stainless clamping screw no. 6890NI.

Also suitable for use in the food industry.



Order no.	Size	F1 [kN]	F2 [kN]	Clamping screw	Weight [g]
95133	2	0,8	1,2	M6x35	220

No. 6803NIY

Vertical toggle clamp with yellow handle



Order no.	Size	F1 [kN]	F2 [kN]	Clamping screw	Weight [g]
557273	2	0,8	1,2	M6x35	220

NEW!

No. 6803NIJ

Vertical toggle clamp with orange handle



Order no.	Size	F1 [kN]	F2 [kN]	Clamping screw	Weight [g]
557438	2	0,8	1,2	M6x35	220

NEW!

No. 6803NIE

Vertical toggle clamp with blue handle



Order no.	Size	F1 [kN]	F2 [kN]	Clamping screw	Weight [g]
557595	2	0,8	1,2	M6x35	220

NEW!

Subject to technical alterations.

No. 6803NIG

Vertical toggle clamp with green handle



NEW!



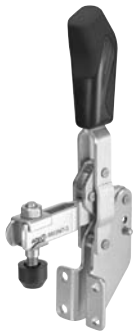
Order no.	Size	F1 [kN]	F2 [kN]	Clamping screw	Weight [g]
557759	2	0,8	1,2	M6x35	220

No. 6803NIT

Vertical toggle clamp with black handle



NEW!



Order no.	Size	F1 [kN]	F2 [kN]	Clamping screw	Weight [g]
558169	2	0,8	1,2	M6x35	220

Recommendations



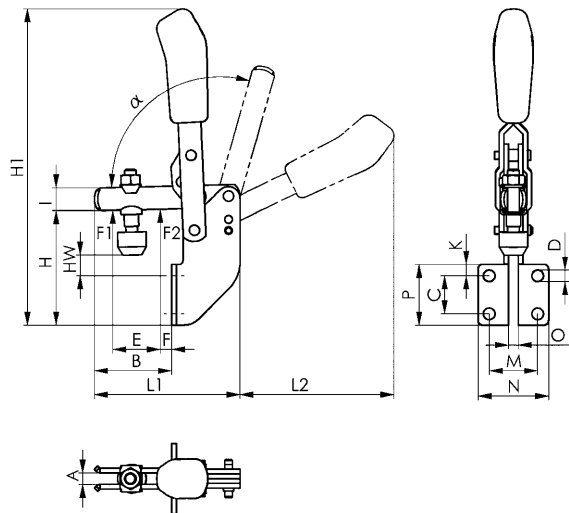
No. 6847NI,
page 90



No. 6848VNI,
page 96



No. 6844NI,
page 88



CAD

Dimensions:

Size	A	B	C	D	E	F	H	H1	HW min.	HW max.	I	K	L1	L2	M	N	O	P	α	α^*
2	6	41	20	6,1	25	6	60	167	8	15	12	6	77	81	25,5	37	5	32	105°	60°

* The opening angle can be changed by pressing in a stop pin.

Subject to technical alterations.

No. 6830NI

Horizontal toggle clamp with red handle

with open clamping arm and horizontal base.

Stainless steel, polished. In sizes 2 to 5, rivets run in bearing bushes. Bearings are pre-lubricated.

Ergonomic, oil-resistant handle with large grip surface and soft components.

Supplied complete with stainless clamping screw no. 6890NI.

Also suitable for use in the food industry.



Order no.	Size	F1 [kN]	F2 [kN]	Clamping screw	Weight [g]
95141	0	0,25	0,4	M4x25	35
95166	1	0,80	1,1	M5x30	105
95182	2	1,00	1,2	M6x35	185
95208	3	1,80	2,5	M8x45	320
95224	4	2,00	3,0	M8x65	700

Note:

For suitable sensor monitor for size 3 see no. 6897S.

No. 6830NIY

Horizontal toggle clamp with yellow handle



Order no.	Size	F1 [kN]	F2 [kN]	Clamping screw	Weight [g]
557274	0	0,25	0,4	M4x25	35
557275	1	0,80	1,1	M5x30	105
557276	2	1,00	1,2	M6x35	185
557277	3	1,80	2,5	M8x45	320
557278	4	2,00	3,0	M8x65	700

NEW!

No. 6830NIJ

Horizontal toggle clamp with orange handle



Order no.	Size	F1 [kN]	F2 [kN]	Clamping screw	Weight [g]
557439	0	0,25	0,4	M4x25	35
557440	1	0,80	1,1	M5x30	105
557441	2	1,00	1,2	M6x35	185
557442	3	1,80	2,5	M8x45	320
557443	4	2,00	3,0	M8x65	700

NEW!

No. 6830NIE

Horizontal toggle clamp with blue handle



Order no.	Size	F1 [kN]	F2 [kN]	Clamping screw	Weight [g]
557760	0	0,25	0,4	M4x25	35
557761	1	0,80	1,1	M5x30	105
557762	2	1,00	1,2	M6x35	185
557763	3	1,80	2,5	M8x45	320
557764	4	2,00	3,0	M8x65	700

NEW!

Subject to technical alterations.

No. 6830NIG

Horizontal toggle clamp with green handle



NEW!



Order no.	Size	F1 [kN]	F2 [kN]	Clamping screw	Weight [g]
557596	0	0,25	0,4	M4x25	35
557597	1	0,80	1,1	M5x30	105
557598	2	1,00	1,2	M6x35	185
557599	3	1,80	2,5	M8x45	320
557600	4	2,00	3,0	M8x65	700

No. 6830NIT

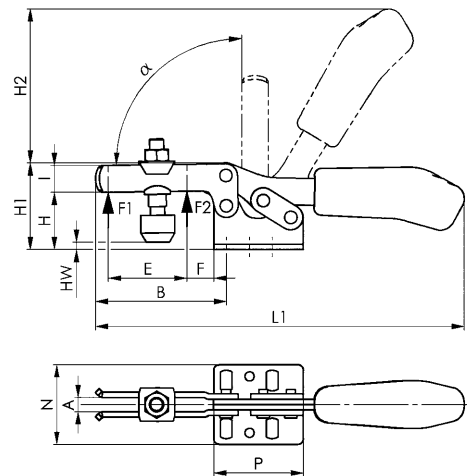
Horizontal toggle clamp with black handle



NEW!



Order no.	Size	F1 [kN]	F2 [kN]	Clamping screw	Weight [g]
558170	0	0,25	0,4	M4x25	35
558171	1	0,80	1,1	M5x30	105
558172	2	1,00	1,2	M6x35	185
558173	3	1,80	2,5	M8x45	320
558174	4	2,00	3,0	M8x65	700



Recommendations



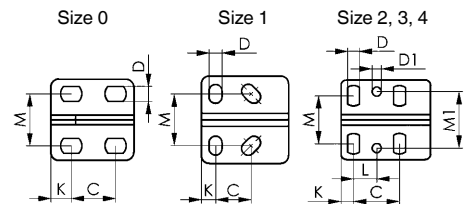
No. 6897S,
page 146



No. 6800NI,
page 78



No. 6847KNI,
page 91



Dimensions:

Size	A	B	C	D	D1	E	F	H	H1	H2	HW min.	HW max.	I	K	L	L1	M	M1	N	P	α
0	4	28	11,5-15,5	4,6	-	9,0	5	14,5	23,0	34	-5,0	0,6	7,5	6,25	-	79	16,0	-	25,0	25,5	90°
1	5	42	13,3-14,7	5,2	-	18,6	8	19,0	30,0	49	-4,0	2,0	10,0	5,50	-	120	18,0-21,5	-	34,0	34,0	90°
2	6	64	26,0	5,6	5,6	32,0	16	24,0	45,0	68	-1,6	5,0	13,0	6,00	12,7	162	19,5-29,5	28,5	42,0	38,0	90°
3	8	73	25,7	6,5	5,1	36,0	14	32,0	48,5	86	-2,0	9,0	15,0	7,00	13,0	206	22,0-31,8	31,6	44,5	50,0	90°
4	10	113	41,0	8,5	8,5	63,0	27	45,0	75,0	126	-4,0	24,0	20,0	8,00	20,5	287	29,0-43,0	43,0	58,0	57,0	90°

Subject to technical alterations.

No. 68300NI

Horizontal toggle clamp plus with red handle

with increased retaining forces, open clamp arm and horizontal base. Stainless steel, polished. Bearings positioned are lubricated. Ergonomic, oil-resistant handle with large grip surface and soft components. Safety clamping piece with retainer for the clamping screw at the end of the clamping arm. **Supplied complete with stainless clamping screw no. 68301NI.** Also suitable for use in the food industry.

Order no.	Size	F1 [kN]	F2 [kN]	Clamping screw	Weight [g]
555175	2	1,6	3,0	M6 x 50	450
555176	4	3,5	8,0	M10 x 76	1250



No. 68300NIY

Horizontal toggle clamp plus with yellow handle

Order no.	Size	F1 [kN]	F2 [kN]	Clamping screw	Weight [g]
557279	2	1,6	3,0	M6 x 50	450
557280	4	3,5	8,0	M10 x 76	1250



NEW!

No. 68300NIJ

Horizontal toggle clamp plus with orange handle

Order no.	Size	F1 [kN]	F2 [kN]	Clamping screw	Weight [g]
557444	2	1,6	3,0	M6 x 50	450
557445	4	3,5	8,0	M10 x 76	1250



NEW!

No. 68300NIE

Horizontal toggle clamp plus with blue handle

Order no.	Size	F1 [kN]	F2 [kN]	Clamping screw	Weight [g]
557765	2	1,6	3,0	M6 x 50	450
557766	4	3,5	8,0	M10 x 76	1250



NEW!

No. 68300NIG

Horizontal toggle clamp plus with green handle



NEW!



Order no.	Size	F1 [kN]	F2 [kN]	Clamping screw	Weight [g]
557601	2	1,6	3,0	M6 x 50	450
557602	4	3,5	8,0	M10 x 76	1250

No. 68300NIT

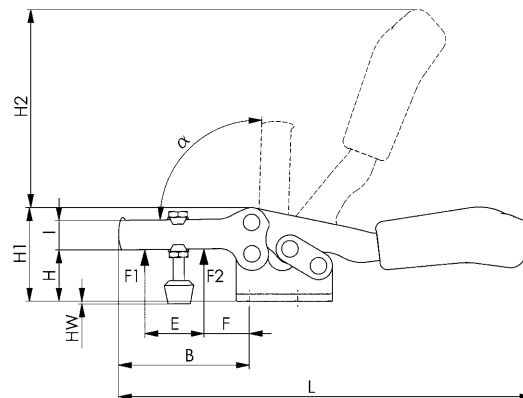
Horizontal toggle clamp plus with black handle



NEW!



Order no.	Size	F1 [kN]	F2 [kN]	Clamping screw	Weight [g]
558175	2	1,6	3,0	M6 x 50	450
558176	4	3,5	8,0	M10 x 76	1250



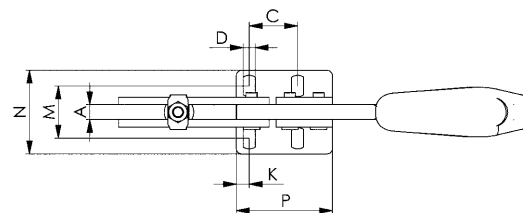
Recommendations



No. 68301NI,
page 148



No. 6800NI,
page 78



Dimensions:

Size	A	B	C	D	E	F	H	H1	H2	HW min.	HW max.	I	K	L	M	N	P	α
2	8	71	26,0	6,5	39	14	28	51	110	-1	12,0	16	7,0	224	23,5 - 34	46	52	90°
4	10	120	41,5	8,6	69	23	41	77	135	-2	17,5	24	10,5	329	34,5 - 45	60	76	90°

Subject to technical alterations.

No. 6841NI

Push-pull type toggle clamp with red handle

with small angle base. For push- and pull-clamping. (Equal operation of rod and lever). Stainless steel, polished. Long rod-guide with attaching thread and nut. Bush for size 3. Bearings pre-lubricated. Lever can be set to any angle relative to base. Ergonomic, oil-resistant handle with large grip surface and soft components.

Supplied complete with stainless clamping screw no. 6880NI.

Also suitable for use in the food industry.



Order no.	Size	F1 [kN]	F2 [kN]	Clamping screw	Weight [g]
95265	0	0,8	0,8	M4x20	65
95299	3	2,5	2,5	M8x35	445

No. 6841NIY

Push-pull type toggle clamp with yellow handle



NEW!

Order no.	Size	F1 [kN]	F2 [kN]	Clamping screw	Weight [g]
557288	0	0,8	0,8	M4x20	65

No. 6841NIJ

Push-pull type toggle clamp with orange handle



NEW!

Order no.	Size	F1 [kN]	F2 [kN]	Clamping screw	Weight [g]
557453	0	0,8	0,8	M4x20	65

No. 6841NIE

Push-pull type toggle clamp with blue handle



NEW!

Order no.	Size	F1 [kN]	F2 [kN]	Clamping screw	Weight [g]
557774	0	0,8	0,8	M4x20	65

Subject to technical alterations.

No. 6841NIG

Push-pull type toggle clamp with green handle



NEW!



Order no.	Size	F1 [kN]	F2 [kN]	Clamping screw	Weight [g]
557610	0	0,8	0,8	M4x20	65

No. 6841NIT

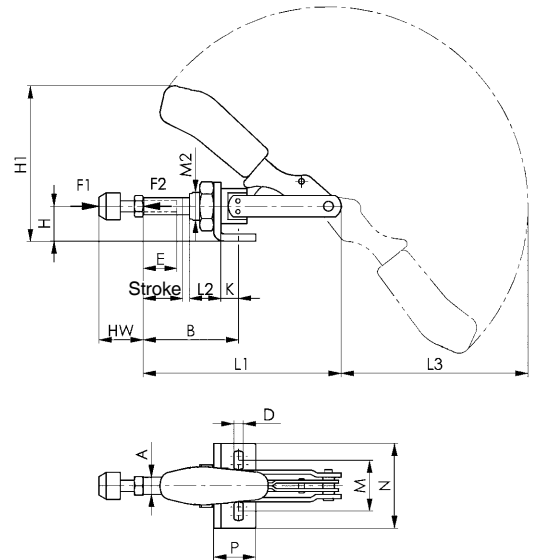
Push-pull type toggle clamp with black handle



NEW!



Order no.	Size	F1 [kN]	F2 [kN]	Clamping screw	Weight [g]
558185	0	0,8	0,8	M4x20	65



Recommendations



No. 6844NI,
page 88



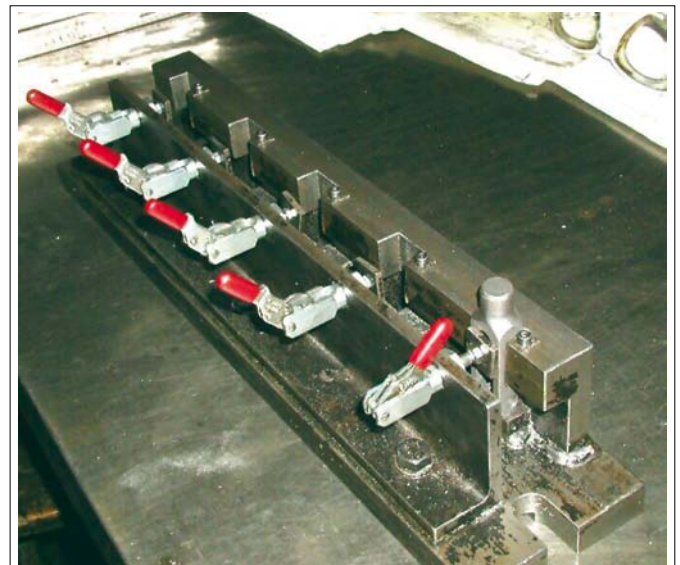
No. 6860,
page 38



No. 6800NI,
page 78

Dimensions:

Size	A	B min.	B max.	D	E	H	H1	Stroke	HW min.	HW max.	K	L1	L2	L3	M	M2	N	P
0	6,5	17	33	4,5	13	12	49,3	16	12	20	6,5	66,5	10	54	16,0	M10x1,0	25	16
3	12,0	37	69	6,5	30	25	110,0	32	22	35	13,0	140,0	22	132	29,5-42,5	M20x1,5	60	30



Subject to technical alterations.

No. 6844NI

Push-pull type toggle clamp with red handle

short version. For push and pull-clamping. Stainless steel, polished. Long rod-guide with attaching thread and nut. Shoulder screws pasted into thread. Bearings are pre-lubricated. Ergonomic, oil-resistant handle with large grip surface and soft components.

Supplied complete with stainless clamping screw no. 6880NI.

Also suitable for use in the food industry.



Order no.	Size	F1 [kN]	F2 [kN]	Clamping screw	Weight [g]
95349	2	1,0	1,0	M6x25	130
95364	3	2,5	2,5	M8x35	320
95380	5	4,0	4,0	M12x50	1200

Application:

Toggle for direct fit up in metal plates or fixtures, using its front attaching thread or by means of solid base angle no. 6843NI.

No. 6844NIY

Push-pull type toggle clamp with yellow handle



NEW!

Order no.	Size	F1 [kN]	F2 [kN]	Clamping screw	Weight [g]
557289	2	1,0	1,0	M6x25	130
557290	3	2,5	2,5	M8x35	320
557291	5	4,0	4,0	M12x50	1200

No. 6844NIJ

Push-pull type toggle clamp with orange handle



NEW!

Order no.	Size	F1 [kN]	F2 [kN]	Clamping screw	Weight [g]
557454	2	1,0	1,0	M6x25	130
557455	3	2,5	2,5	M8x35	320
557456	5	4,0	4,0	M12x50	1200

No. 6844NIE

Push-pull type toggle clamp with blue handle



NEW!

Order no.	Size	F1 [kN]	F2 [kN]	Clamping screw	Weight [g]
557775	2	1,0	1,0	M6x25	130
557776	3	2,5	2,5	M8x35	320
557777	5	4,0	4,0	M12x50	1200

No. 6844NIG

Push-pull type toggle clamp with green handle



NEW!



Order no.	Size	F1 [kN]	F2 [kN]	Clamping screw	Weight [g]
557611	2	1,0	1,0	M6x25	130
557612	3	2,5	2,5	M8x35	320
557613	5	4,0	4,0	M12x50	1200

No. 6844NIT

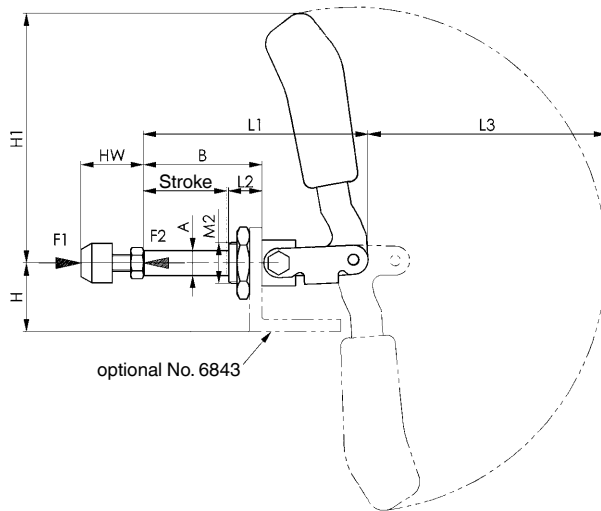
Push-pull type toggle clamp with black handle



NEW!



Order no.	Size	F1 [kN]	F2 [kN]	Clamping screw	Weight [g]
558186	2	1,0	1,0	M6x25	130
558187	3	2,5	2,5	M8x35	320
558188	5	4,0	4,0	M12x50	1200



Recommendations



No. 6841NI, page 86



No. 6847NI, page 90

Dimensions:

Size	A	B	E	H	H1	Stroke	HW min.	HW max.	L1	L2	L3	M	M2	N
2	10	36	15	24	73,0	21,5	17	27,0	68,5	13	69	M6	M16x1,5	30,5
3	12	57	25	33	120,5	40,0	22	37,5	108,0	16	115	M8	M20x1,5	33,0
5	16	92	45	37	149,0	67,0	30	50,0	175,0	24	139	M12	M24x1,5	49,0

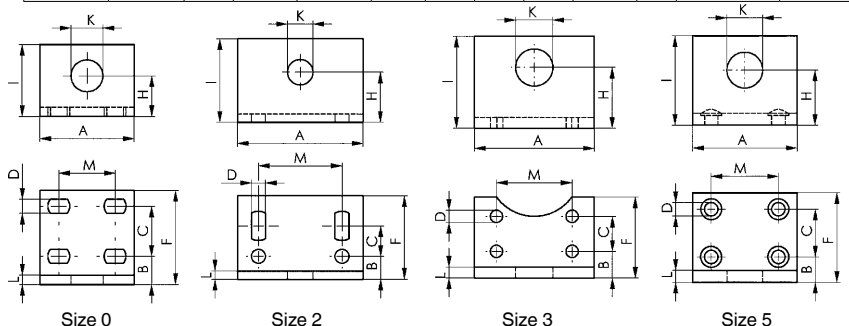
No. 6843NI

Angle base, solid

for no. 6841NI and no. 6844NI.
Stainless steel, polished. Increased range of application due to enlarged height of center line. Fastening by means of 4 screws.



Order no.	Size	A	B	C	D	F	H	I	K	L	M	Weight [g]
95091	0	30	9,0	16	4,5	30	13	23	10,2	3	15,5-20,5	35
95158	2	60	11,0	11-18	6,7	40	24	40	16,2	5	40	170
95174	3	65	14,5	19	6,7	44	33	50	20,2	6	41	260
95190	5	70	17,0	32	9,0	60	37	60	24,0	8	45	480



Subject to technical alterations.

No. 6847NI

Hook type toggle clamp

Stainless steel, polished. Rivets running in greased bushes. Handle of red high quality oil-resistant plastic. Ergonomic, oil-resistant handle with large grip surface and soft components for size 1. Suitable for use in food industry.

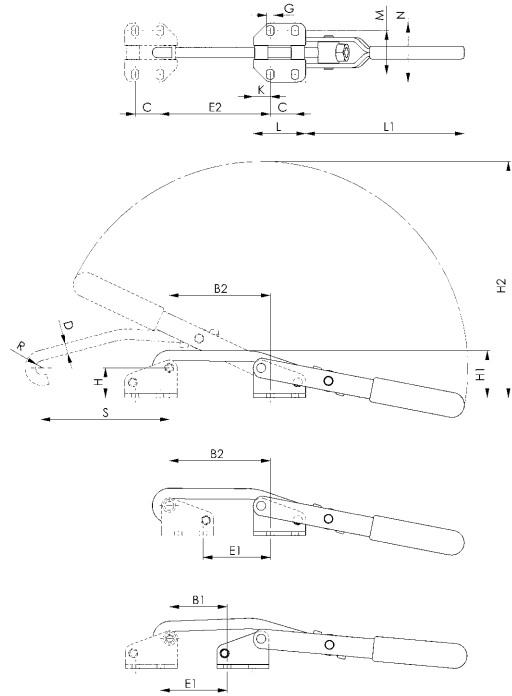


CAD

Order no.	Size	F1	Adjustm. distance	Weight [g]
		[kN]	[mm]	
95406	1	1,0	8	100
95422	3	1,5	12	270
95448	5	2,5	14	850



INOX STAINLESS STEEL



Recommendations



No. 6848HNI, page 92



No. 6841NI, page 86

Dimensions:

Order no.	Size	B1	B2	C	D	E1	E2	G	H	H1	H2	K	L	L1	M	N	R	S
95406	1	15-23	34-42	19	6	15-24	34-42	4,5	22,7	35,0	111	6	31	63	26,0-30,0	40	4,5	45
95422	3	32-44	65-77	19	8	39-51	72-84	5,6	22,7	36,0	181	13	40	121	31,5-35,5	45	5,5	97
95448	5	26-40	57-71	29	12	27-42	58-73	11,2	49,0	70,5	281	13	55	188	56,5-64,0	86	8,0	146

No. 6847GNI

Counter catch

For hook type toggle clamp no. 6847NI. Stainless steel, polished.

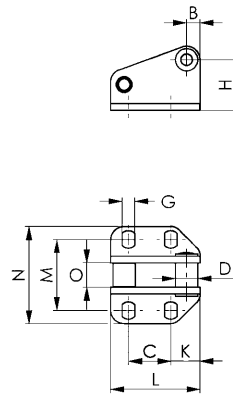


CAD

Order no.	Size	Height	Length	Weight [g]
		[mm]	[mm]	
95463	1	29	31	40
95489	3	29	40	70
95505	5	61	55	320



INOX STAINLESS STEEL



Dimensions:

Order no.	Size	B	C	D	G	H	K	L	M	N	O
95463	1	6	19	8	4,5	22,7	6	31	26,0-30,0	40	6,9
95489	3	6	19	10	5,6	22,7	13	40	31,3-35,8	45	10,9
95505	5	12	29	15	11,2	49,1	13	55	56,5-64,0	86	13,8

Subject to technical alterations.

No. 6847KNI

Hook type toggle clamp

for cylindrical mounting surfaces.
Stainless steel, polished. Rivets running in greased, continuous bearing bushes. Handle made of red, oil-resistant plastic. Use socket cap screws to ISO 4762 (DIN 912) for mounting.
Also suitable for use in the food industry.

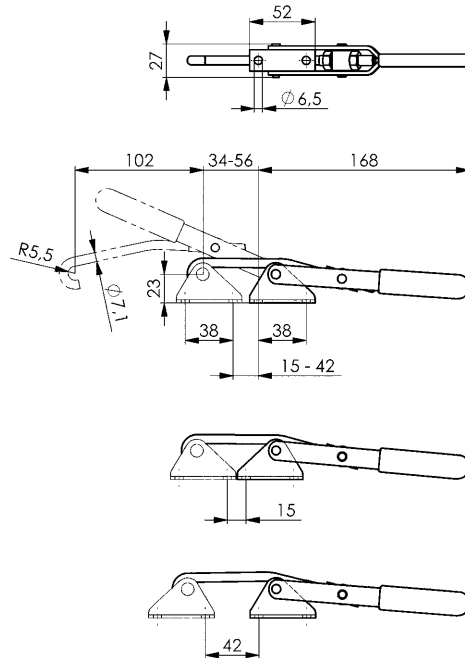


CAD

Order no.	Size	F1 [kN]	Adjustm. distance [mm]	Weight [g]
95455	3	1,5	22	270

Note:

The range of movement can be adjusted by swiveling the base and repositioning the catch.



Recommendations



No. 6847NI,
page 90



No. 6847GNI,
page 90

No. 6847GKNI

Counter catch

for cylindrical mounting surfaces.
For hook-type toggle clamp no. 6847KNI. Stainless steel, polished. Continuous bush. Use socket cap screws to ISO 4762 (DIN 912) for mounting.

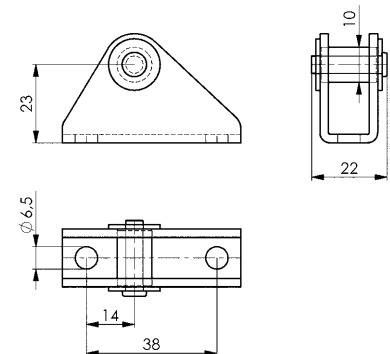


CAD

Order no.	Size	Height [mm]	Length [mm]	Weight [g]
95596	3	32	52	65

Note:

The adjustment range of the clamp can be increased by turning the counter catch.



No. 6848HNI

Horizontal hook-type toggle clamp with red handle

Stainless steel, polished. Rivets running in greased bushes. Ergonomic, oil-resistant handle with large grip surface and soft components.

Supplied complete with counter catch.

Also suitable for use in the food industry.



Order no.	Size	F1 [kN]	Weight [g]
95521	2	1,6	120
95547	3	3,2	330
95562	4	7,0	810

No. 6848HNIY

Horizontal hook-type toggle clamp with yellow handle



NEW!

Order no.	Size	F1 [kN]	Weight [g]
557281	2	1,6	120
557282	3	3,2	330
557283	4	7,0	810

No. 6848HNIJ

Horizontal hook-type toggle clamp with orange handle



NEW!

Order no.	Size	F1 [kN]	Weight [g]
557446	2	1,6	120
557447	3	3,2	330
557448	4	7,0	810

No. 6848HNIE

Horizontal hook-type toggle clamp with blue handle



NEW!

Order no.	Size	F1 [kN]	Weight [g]
557767	2	1,6	120
557768	3	3,2	330
557769	4	7,0	810

Subject to technical alterations.

No. 6848HNIG

Horizontal hook-type toggle clamp with green handle



NEW!



Order no.	Size	F1 [kN]	Weight [g]
557603	2	1,6	120
557604	3	3,2	330
557605	4	7,0	810

No. 6848HNIT

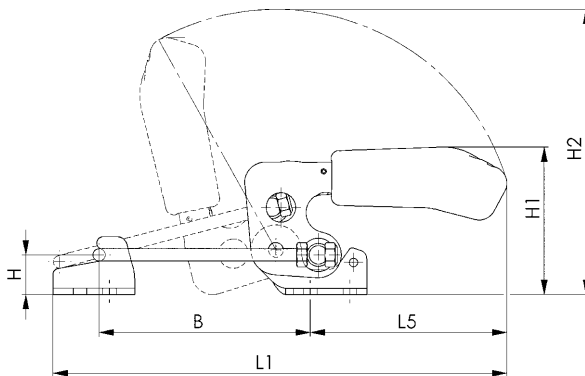
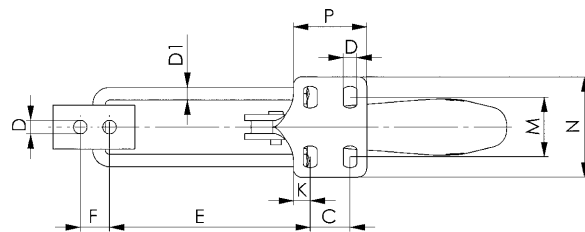
Horizontal hook-type toggle clamp with black handle



NEW!



Order no.	Size	F1 [kN]	Weight [g]
558178	2	1,6	120
558179	3	3,2	330
558180	4	7,0	810



CAD

Recommendations



No. 6848VNI, page 96



No. 6847NI, page 90

Dimensions:

Size	B min.	B max.	C	D	D1	E min.	E max.	F	H	H1	H2	K	L1 min.	L1 max.	L5	M	N	P
2	42,0	76	13	5,2	4	38,0	72	11	12	47,0	99	6,4	125	159	69	19,5-23,5	38,0	26,0
3	53,5	101	19	6,5	6	48,6	96	14	19	70,0	137	8,0	169	217	94	24,5-32,5	48,0	35,0
4	72,0	127	32	8,5	8	65,0	120	19	26	94,5	168	9,5	214	270	111	35,0-46,0	64,5	53,5

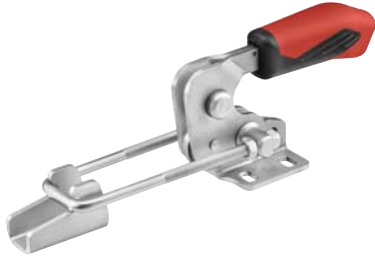
Subject to technical alterations.

No. 6848HSNI

Horizontal hook-type toggle clamp with red handle and safety latch

Stainless steel, polished. Rivets running in greased bushes. Ergonomic, oil-resistant handle with large grip surface and soft components.

Supplied complete with counter catch.
Also suitable for use in the food industry.



Order no.	Size	F1	Weight
		[kN]	[g]
93658	4	7,0	850

No. 6848HSNIY

Horizontal hook-type toggle clamp with yellow handle and safety latch



NEW!

Order no.	Size	F1	Weight
		[kN]	[g]
557284	4	7,0	850

No. 6848HSNIJ

Horizontal hook-type toggle clamp with orange handle and safety latch

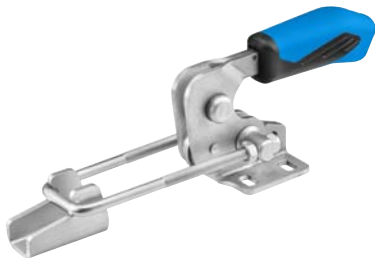


NEW!

Order no.	Size	F1	Weight
		[kN]	[g]
557449	4	7,0	850

No. 6848HSNIE

Horizontal hook-type toggle clamp with blue handle and safety latch



NEW!

Order no.	Size	F1	Weight
		[kN]	[g]
557770	4	7,0	850

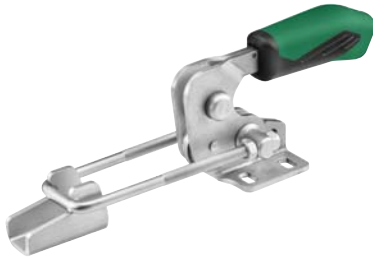
Subject to technical alterations.

No. 6848HSNIG

Horizontal hook-type toggle clamp with green handle and safety latch



NEW!



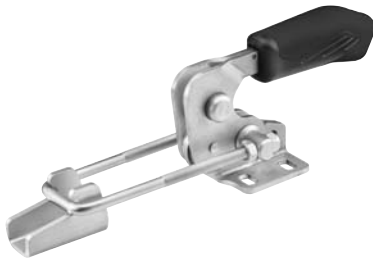
Order no.	Size	F1	Weight
		[kN]	[g]
557606	4	7,0	850

No. 6848HSNIT

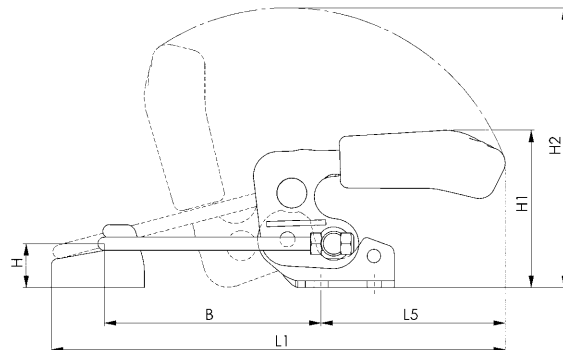
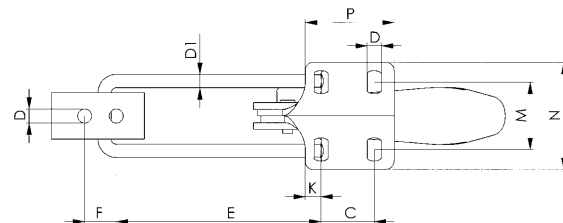
Horizontal hook-type toggle clamp with black handle and safety latch



NEW!



Order no.	Size	F1	Weight
		[kN]	[g]
558181	4	7,0	850



CAD

Recommendations



No. 6848VNI,
page 96



No. 6848GHNI,
page 155

Dimensions:

Size	B min.	B max.	C	D	D1	E min.	E max.	F	H	H1	H2	K	L1 min.	L1 max.	L5	M	N	P
4	72	130	32	8,5	8	65	123	19	26	94	168	9,5	215	273	111	35-46	64,5	53,5

Subject to technical alterations.

No. 6848VNI

Vertical hook-type toggle clamp with red handle

Stainless steel, polished. Rivets running in greased bushes. Ergonomic, oil-resistant handle with large grip surface and soft components.

Supplied complete with counter catch.
Also suitable for use in the food industry.

Order no.	Size	F1 [kN]	Weight [g]
95588	2	1,6	130
95604	3	3,2	340
95620	4	7,0	810



No. 6848VNIY

Vertical hook-type toggle clamp with yellow handle



NEW!

Order no.	Size	F1 [kN]	Weight [g]
557285	2	1,6	130
557286	3	3,2	340
557287	4	7,0	810

No. 6848VNIJ

Vertical hook-type toggle clamp with orange handle



NEW!

Order no.	Size	F1 [kN]	Weight [g]
557450	2	1,6	130
557451	3	3,2	340
557452	4	7,0	810

No. 6848VNIE

Vertical hook-type toggle clamp with blue handle



NEW!

Order no.	Size	F1 [kN]	Weight [g]
557771	2	1,6	130
557772	3	3,2	340
557773	4	7,0	810

Subject to technical alterations.

No. 6848VNIG

Vertical hook-type toggle clamp with green handle



NEW!



Order no.	Size	F1	Weight [g]
		[kN]	
557607	2	1,6	130
557608	3	3,2	340
557609	4	7,0	810

No. 6848VNIT

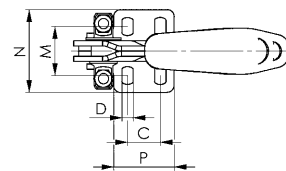
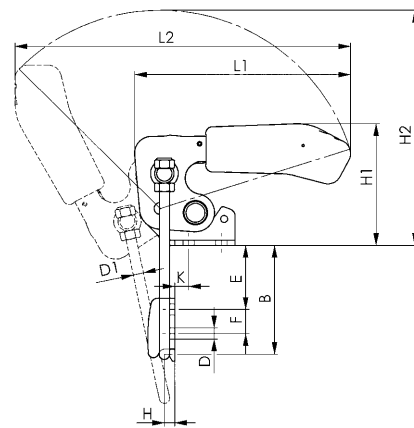
Vertical hook-type toggle clamp with black handle



NEW!



Order no.	Size	F1	Weight [g]
		[kN]	
558182	2	1,6	130
558183	3	3,2	340
558184	4	7,0	810



Recommendations



No. 6848GVNI, page 155



No. 6844NI, page 88

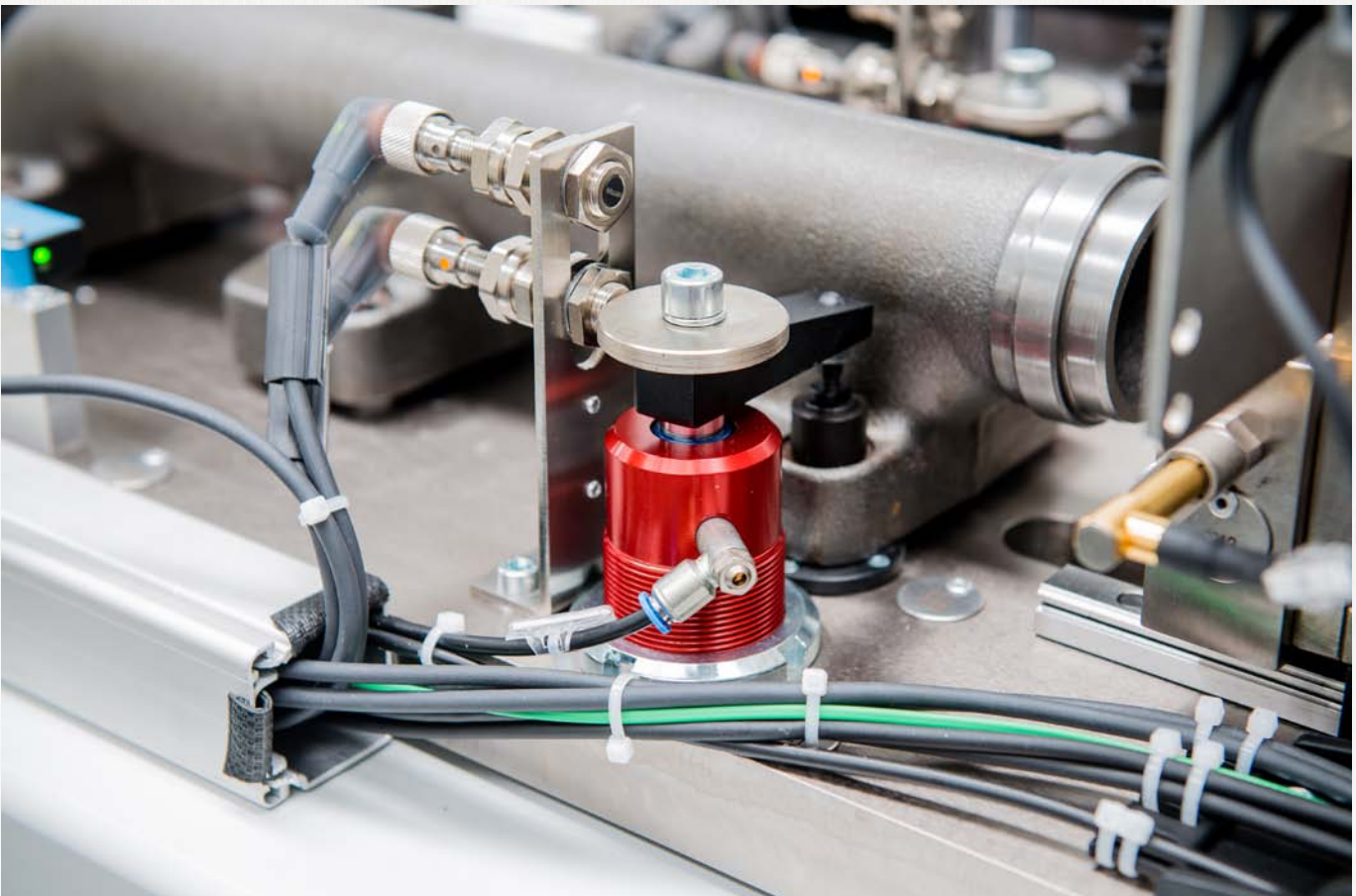
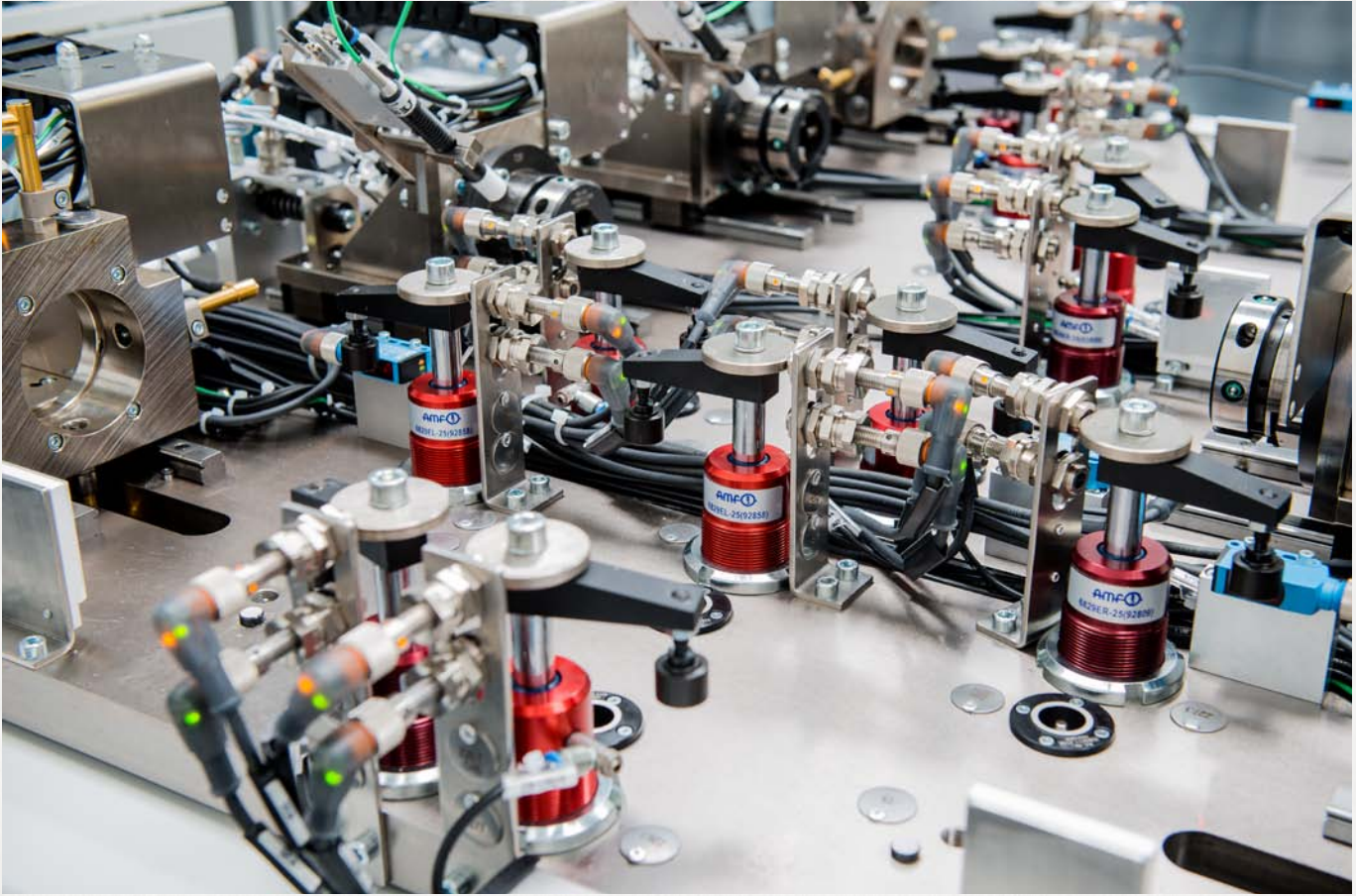


No. 6803NI, page 80

Dimensions:

Size	B min.	B max.	C	D	D1	E min.	E max.	F	H	H1	H2	K	L1 min.	L1 max.	M	N	P
2	24	47	13	5,2	4	5,0	28	11	4,5	47,0	99	6,8	91	158	19,5-23,5	38,0	26,0
3	33	63	19	6,5	6	6,5	37	14	6,0	70,0	137	8,0	125	195	24,5-32,5	48,0	35,0
4	43	81	32	8,5	8	9,0	47	19	8,0	94,5	171	9,6	155	244	35,0-46,0	64,5	53,5

Subject to technical alterations.

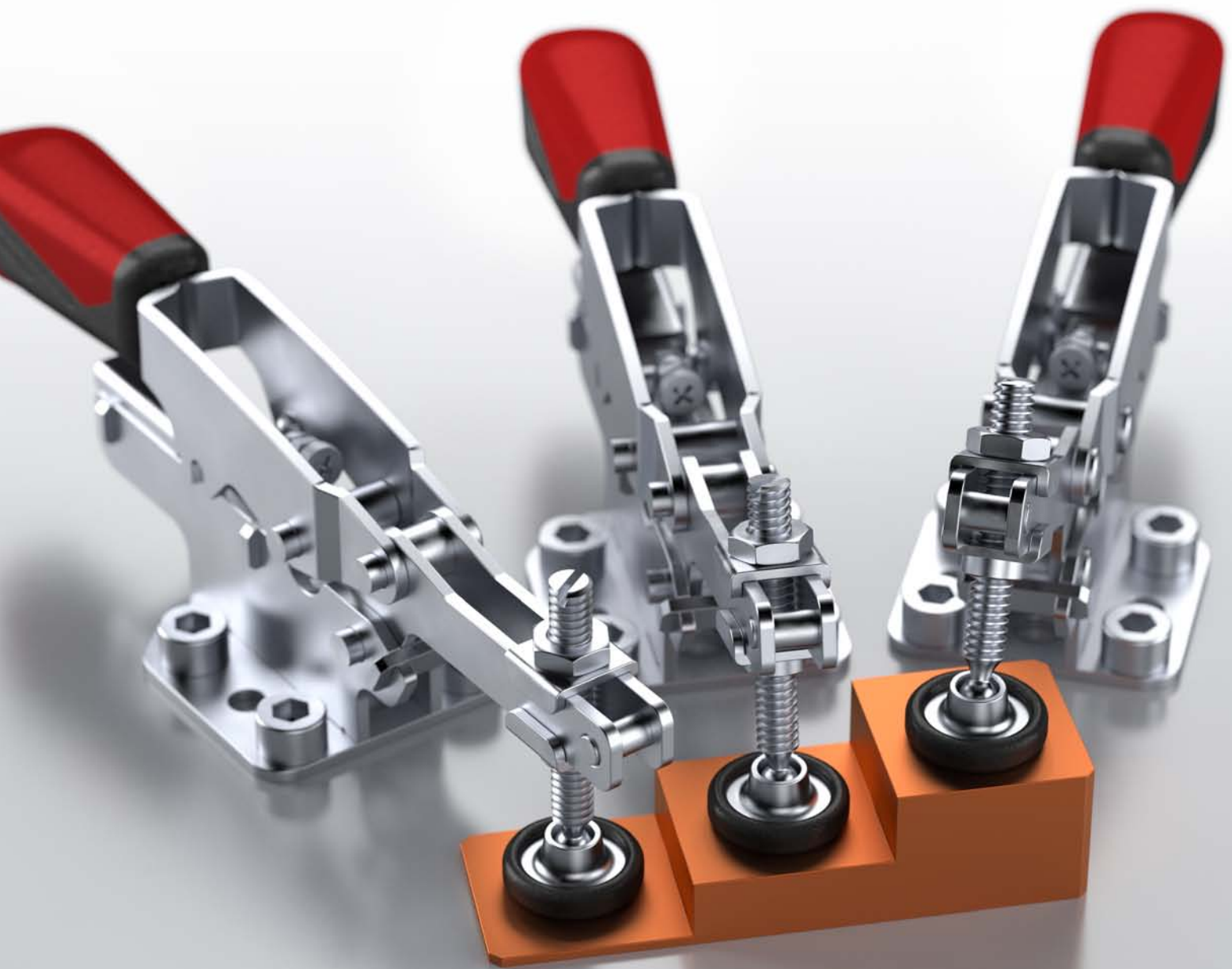


Subject to technical alterations.

VARIABLE TOGGLE CLAMPS

The benefits at a glance:

- > Variable clamping height
- > Clamps different workpiece types
- > Ideal for small batch sizes
- > Adjustable clamping force
- > Ergonomic 2-component handle
- > Retained on the clamp arm



No. 6870

Horizontal toggle clamp with variable clamping height

with open clamping arm and horizontal base.

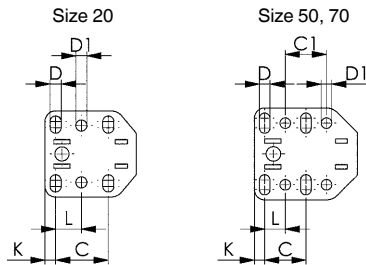
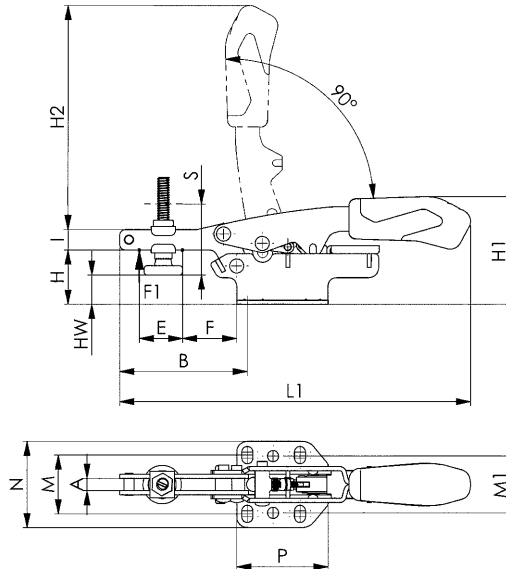
Toggle clamp with continuous counterbalance function for workpieces with different clamping heights.

Galvanised and passivated. Ergonomic, oil-resistant handle with large grip surface and soft components. Retainer for the clamping screw at the end of the clamp arm.

Complete with galvanised clamping screw.



Order no.	Size	F1 [kN]	Automatic height compensation S [mm]	Maximum height compensation [mm]	Clamping screw	Weight [g]
554878	20	2	20	35	M6 x 40	272
554879	50	3	35	40	M8 x 39	499
554880	70	3	35	60	M8 x 55	544



Recommendations



No. 6860, page 38

No. 68300, page 28

Dimensions:

Order no.	Size	A	B	C	C1	D	D1	E	F	H	H1	H2	HW min.	HW max.	I	K	L	L1	M	M1	N	P
554878	20	6,0	63	26,0	-	5,5	5,5	22	26	27,0	53,0	111	-6,5	14	10	5,3	12,7	173	26 - 32	28	42,5	45,0
554879	50	8,4	104	25,4	25,4	6,5	6,5	35	22	23,0	58,5	158	-8,5	6	13	6,3	12,7	244	32 - 44	38	57,0	63,5
554880	70	8,4	104	25,4	25,4	6,5	6,5	35	50	40,5	76,5	158	-6,5	24	13	6,3	12,7	243	32 - 44	38	57,0	63,5

No. 6871

Horizontal toggle clamp with variable clamping height

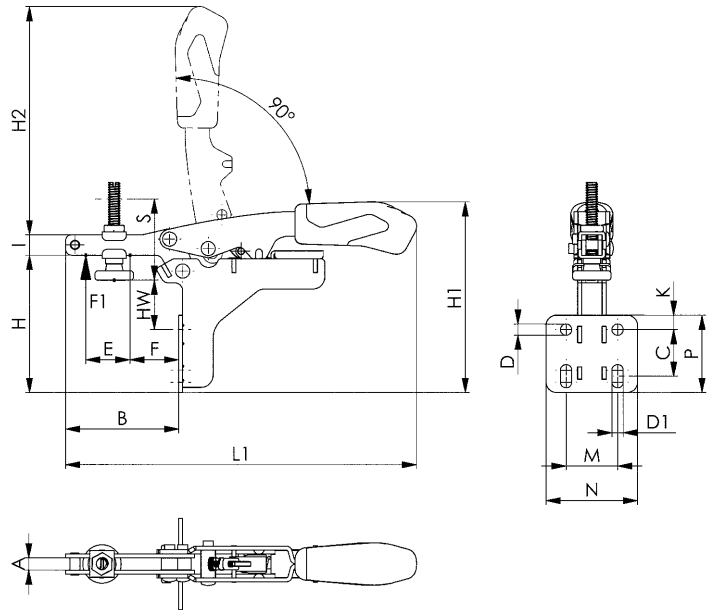
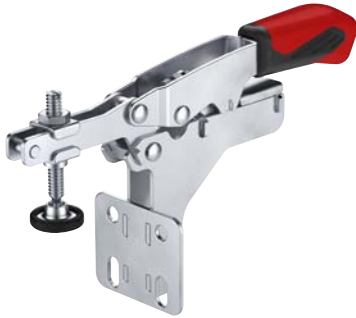
with open clamping arm and angle base.

Toggle clamp with continuous counterbalance function for workpieces with different clamping heights. Galvanised and passivated. Ergonomic, oil-resistant handle with large grip surface and soft components. Retainer for the clamping screw at the end of the clamp arm. Complete with galvanised clamping screw.



CAD

Order no.	Size	F1 [kN]	Automatic height compensation S [mm]	Maximum height compensation [mm]	Clamping screw	Weight [g]
554881	20	2	20	35	M6 x 40	272
554882	50	3	35	40	M8 x 55	544



Dimensions:

Order no.	Size	A	B	C	D	D1	E	F	H	H1	H2	HW min.	HW max.	I	K	L1	M	N	P
554881	20	6,0	56	20 - 26	5,6	5,6	22	24	68	94	113	-3	24	10	7,1	173	25,4	45	38
554882	50	8,4	85	22 - 32	6,5	6,5	35	37	88	124	158	1	31	13	10,6	244	38,1	57	51

No. 6872

Horizontal toggle clamp with variable clamping height

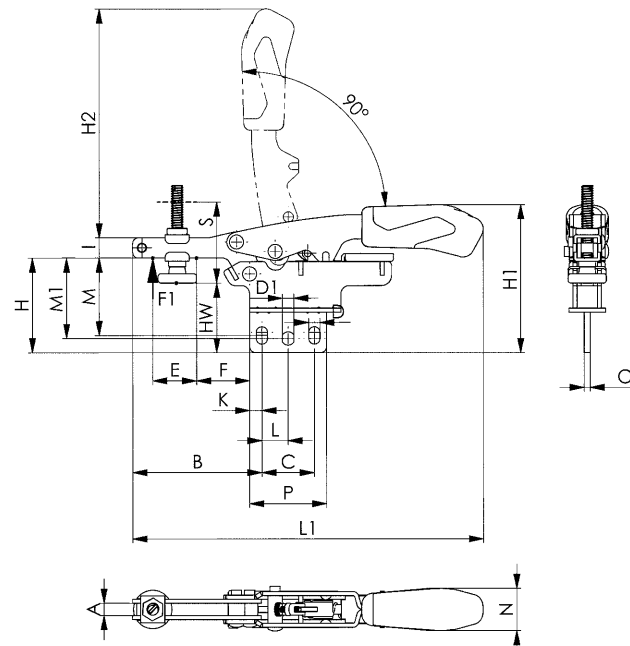
with open clamping arm and vertical base.

Toggle clamp with continuous counterbalance function for workpieces with different clamping heights. Galvanised and passivated. Ergonomic, oil-resistant handle with large grip surface and soft components. Retainer for the clamping screw at the end of the clamp arm. Complete with galvanised clamping screw.



CAD

Order no.	Size	F1 [kN]	Automatic height compensation S [mm]	Maximum height compensation [mm]	Clamping screw	Weight [g]
554883	20	2	20	35	M6 x 40	272
554884	50	3	35	40	M8 x 39	544



Recommendations



No. 6860, page 38



No. 68300, page 28

Dimensions:

Order no.	Size	A	B	C	D	D1	E	F	H	H1	H2	HW min.	HW max.	I	K	L	L1	M	M1	N	O	P
554883	20	6,0	64,0	25,9	5,6	5,6	22	26	47	73	113	13,0	34	10	6,0	12,9	173	37 - 40	39,8	21,0	3	38
554884	50	8,4	106,5	38,0	6,5	6,5	35	50	59	94,5	158	27,5	42	13	8,5	19,0	243	45 - 49	49,0	26,5	4	55

Subject to technical alterations.

No. 6873

Push-pull type toggle clamp with variable clamping height

with angle base.

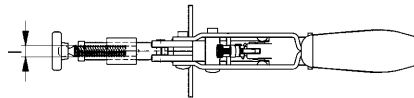
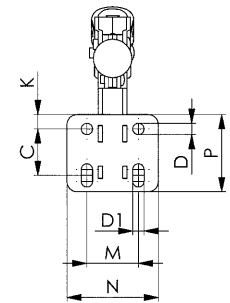
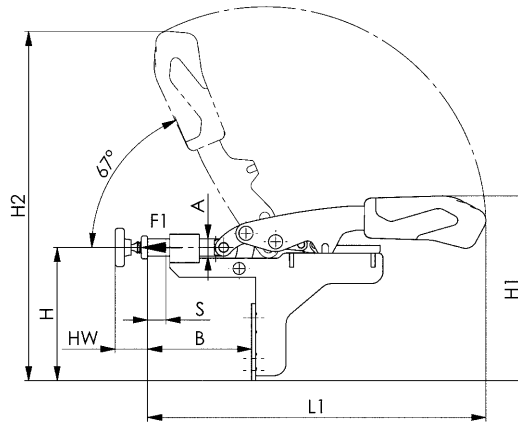
Toggle clamp with continuous counterbalance function for workpieces with different clamping widths. Galvanised and passivated. Ergonomic, oil-resistant handle with large grip surface and soft components. Retainer for the clamping screw at the end of the clamp arm.

Complete with galvanised clamping screw.



CAD

Order no.	Size	F1 [kN]	Automatic stroke compensation S [mm]	Maximum stroke compensation [mm]	Clamping screw	Weight [g]
554885	15	2	8	25	M6 x 29	272
554886	25	3	13	35	M8 x 38	544



Dimensions:

Order no.	Size	A	B	C	D	D1	H	H1	H2	HW min.	HW max.	I	K	L1	M	N	P
554885	15	8,5	42 - 51	20 - 26	5,6	5,6	66	91	173	12	29	M6	7,1	167	25,4	45	38
554886	25	11,8	58 - 83	22 - 32	6,5	6,5	84	119	244	17	39	M8	10,6	236	38,1	57	51

No. 6874

Push-pull type toggle clamp with variable clamping height

with horizontal base.

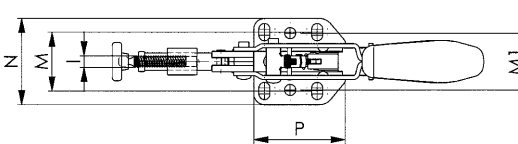
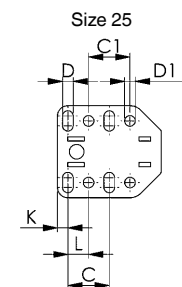
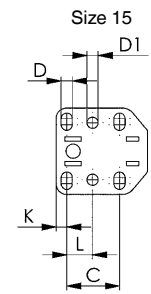
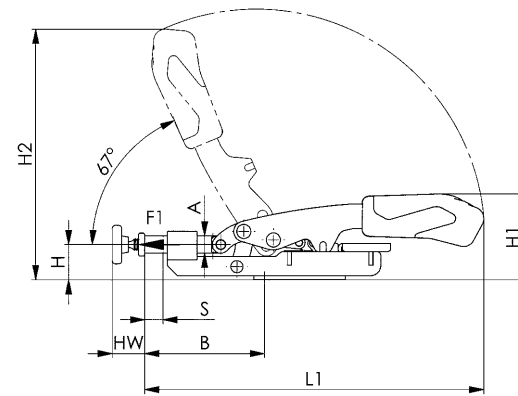
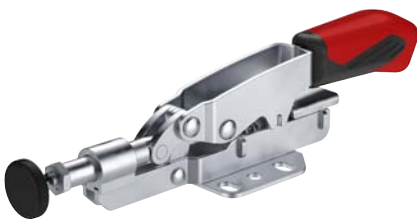
Toggle clamp with continuous counterbalance function for workpieces with different clamping heights. Galvanised and passivated. Ergonomic, oil-resistant handle with large grip surface and soft components. Retainer for the clamping screw at the end of the clamp arm.

Complete with galvanised clamping screw.



CAD

Order no.	Size	F1 [kN]	Automatic stroke compensation S [mm]	Maximum stroke compensation [mm]	Clamping screw	Weight [g]
554887	15	2	8	25	M6 x 29	272
554888	25	3	13	35	M8 x 38	499



Recommendations



No. 6842, page 48



No. 6841, page 40

Dimensions:

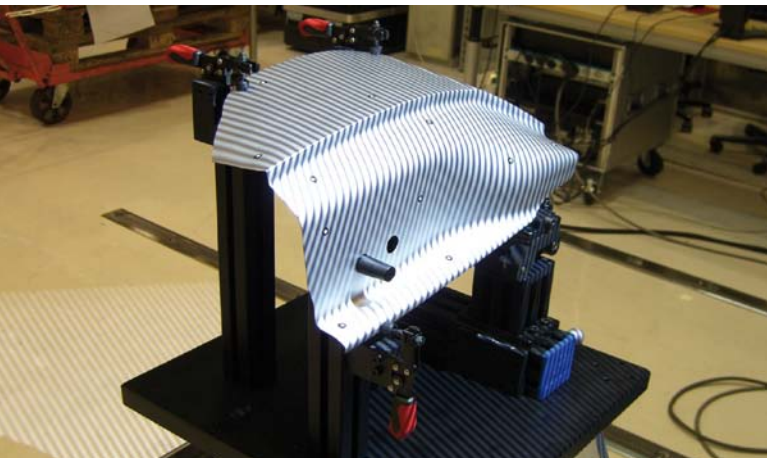
Order no.	Size	A	B	C	C1	D	D1	H	H1	H2	HW min.	HW max.	I	K	L	L1	M	M1	N	P
554887	15	8,5	50 - 59	26,0	-	5,5	5,5	17,5	42	124	12	29	M6	5,3	12,7	167	26 - 32	28	42,5	45,0
554888	25	11,8	67 - 92	25,4	25,4	6,5	6,5	23,0	59	170	17	39	M8	6,3	12,7	236	32 - 44	38	57,0	63,5

Subject to technical alterations.

AMF TOGGLE CLAMPS FOR OPTICAL MEASUREMENT TECHNOLOGY

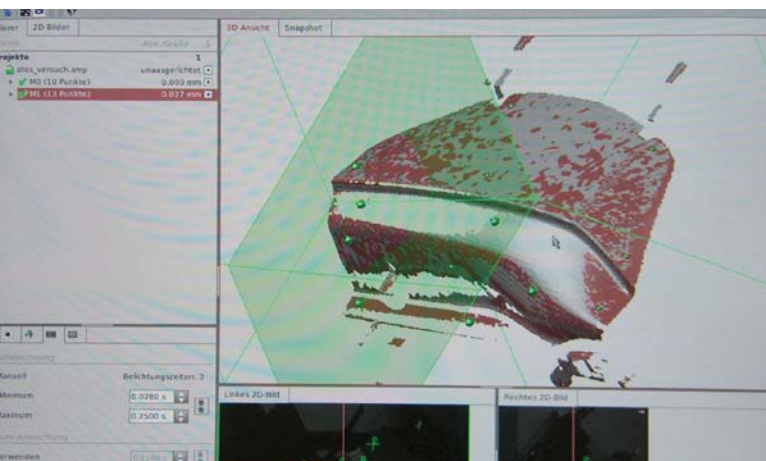
The new black toggle clamps are especially suited for the optical measurement of workpieces. The complete matte-black surface of the clamps prevents reflections. As a result, in the later evaluation of the measurement results on the PC, all unneeded clamp parts can be suppressed and only the actual workpiece is visible.

All black toggle clamps are blackened using a special process. This offers effective protection against corrosion and film rust formation. In addition, environmentally damaging emissions are not created with this process.



MARKING AND MEASURING OF THE WORKPIECE

For overlaying of several pictures, circular markings are attached to the object. A stripe pattern is projected onto the object surface by a white-light projector and photographed by two cameras from different angles of view.



EVALUATION

Within seconds, highly precise 3D coordinates of up to 4 million object points per measurement are calculated. For this, the black device with the black toggle clamps are „suppressed“.



VISUALISATION AND RESULT

Variances from the CAD are calculated. The 3D coordinates of the measurement points can be measured exactly and visualised in colour.

The complete 3D data set and the comparison results can be exported into common formats for further processing.

No. 6800B

Vertical toggle clamp, black

With open clamping arm and horizontal base.

Matte black surface. Rivets made of stainless steel, which, for sizes 2 and 3, run in hardened bushings. Bearings are pre-lubricated.

Ergonomic, oil-resistant black handle with large grip surface and soft components. Safety clamping piece with finger protection. Lock washer for the thrust bolt at the end of the clamping arm.

Complete with tempered, matte-black clamping screw no. 6890B.

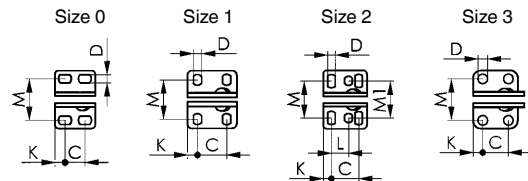
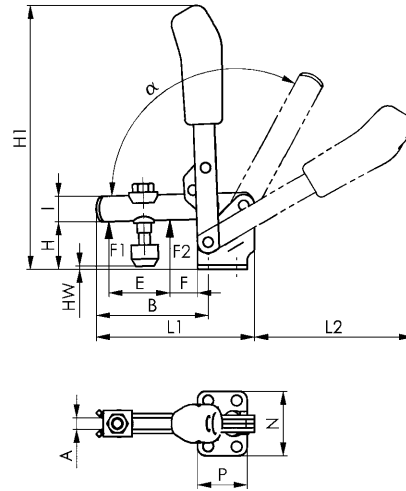


Order no.	Size	F1 [kN]	F2 [kN]	Clamping screw	Weight [g]
90167	0	0,5	0,7	M4x34,5	60
90175	1	0,6	1,1	M5x38,0	105
90183	2	0,8	1,2	M6x46,0	175
90191	3	1,2	2,5	M8x63,0	410

Note:

These clamps are suitable for photogrammetric use. The matte-black surface of the clamps prevents reflection while photographing.

For suitable clamping arm extension see no. 6896.



Recommendations



No. 6890B,
page 149



No. 6802B,
page 105



No. 6800BS,
page 111

Dimensions:

Order no.	Size	A	B	C	D	E	F	H	H1	HW min.	HW max.	I	K	L	L1	L2	M	M1	N	P	α	α^*
90167	0	4	32	8,5-13,5	4,5	14	5,5	18	81,0	-4,0	6,5	8	5,5	-	49,0	50,0	23,0	-	32	22	95°	-
90175	1	5	39	16	4,5	18	6,0	19	97,5	-3,7	1,6	10	5,5	-	61,0	58,0	22,5-26	-	34	27	95°	-
90183	2	6	52	20	5,5	25	11,0	23	130,0	-4,4	4,4	12	6,0	12,5	78,0	80,0	23,0-31	27	43	32	105°	60°
90191	3	8	79	20	7,5	36	19,0	33	188,0	-2,8	7,0	18	7,5	-	111,5	111,5	32,5	-	46	35	105°	60°

* The opening angle can be changed by pressing in a stop pin.

CAD



Subject to technical alterations.

No. 6802B

Vertical toggle clamp, black

With open clamping arm and vertical base.

Matte black surface. Rivets made of stainless steel, which, for sizes 2 and 3, run in hardened bushings. Bearings are pre-lubricated.

Ergonomic, oil-resistant black handle with large grip surface and soft components. Safety clamping piece with finger protection. Lock washer for the thrust bolt at the end of the clamping arm.

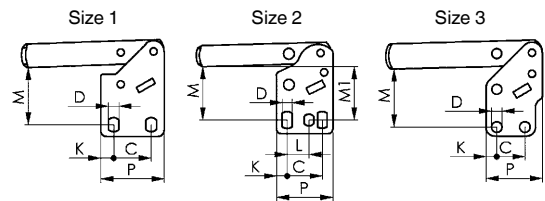
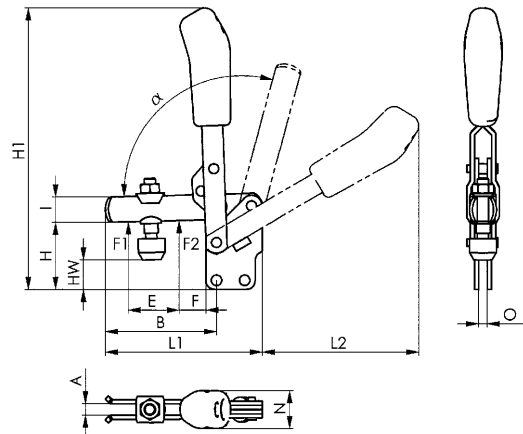
Complete with tempered, matte-black clamping screw no. 6890B.

Order no.	Size	F1 [kN]	F2 [kN]	Clamping screw	Weight [g]
90415	1	0,6	1,1	M5x38	105
90472	2	0,8	1,2	M6x46	175
90498	3	1,2	2,5	M8x63	410

Note:

These clamps are suitable for photogrammetric use. The matte-black surface of the clamps prevents reflection while photographing.

For suitable clamping arm extension see no. 6896.



Recommendations



No. 6890B,
page 149



No. 6802BS,
page 112



No. 6841B,
page 110

Dimensions:

Order no.	Size	A	B	C	D	E	F	H	H1	HW min.	HW max.	I	K	L	L1	L2	M	M1	N	O	P	α	α^*
90415	1	5	39	16	4,5	18	6	29	110,5	6,8	12	10	5,5	-	61	58	23,5-25	-	19	5	27	95°	-
90472	2	6	52	20	5,5	25	11	38	144,5	10,5	19	12	6,0	12,5	78	80	28,5-32	30	21	5	32	105°	60°
90498	3	8	79	20	7,5	36	19	48	201,0	11,4	21	18	7,5	-	112	113	41	-	27	6	40	105°	60°

* The opening angle can be changed by pressing in a stop pin.



No. 6830B

Horizontal toggle clamp, black

With open clamping arm and horizontal base.

Matte black surface. Rivets made of stainless steel, which, for sizes 2 and 3, run in hardened bushings. Bearings are pre-lubricated.

Ergonomic, oil-resistant black handle with large grip surface and soft components. Lock washer for the thrust bolt at the end of the clamping arm.

Complete with tempered, matte-black clamping screw no. 6890B.



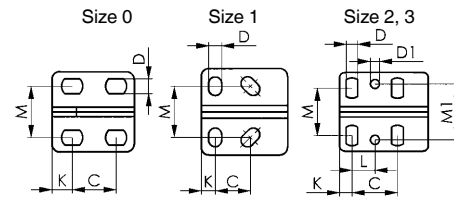
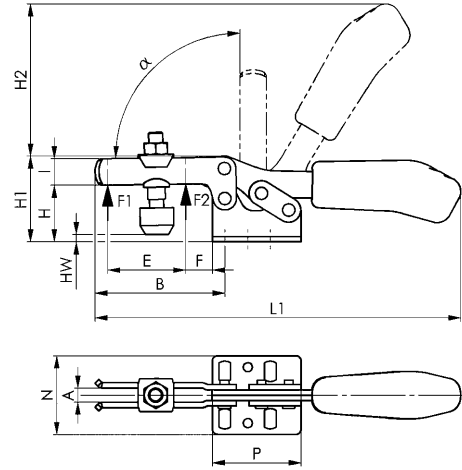
Order no.	Size	F1 [kN]	F2 [kN]	Clamping screw	Weight [g]
90423	0	0,3	0,4	M4x34,5	35
90480	1	0,8	1,1	M5x38	105
90506	2	1,0	1,2	M6x46	185
90522	3	1,8	2,5	M8x63	320

Note:

These clamps are suitable for photogrammetric use. The matte-black surface of the clamps prevents reflection while photographing.

For suitable clamping arm extension see no. 6896.

For suitable sensor monitor for size 3 see no. 6897S.



Recommendations



No. 6890B,
page 149



No. 6832B,
page 107



No. 6841B,
page 110

Dimensions:

Order no.	Size	A	B	C	D	D1	E	F	H	H1	H2	HW min.	HW max.	I	K	L	L1	M	M1	N	P	α
90423	0	4	28	11,5-15,5	4,6	-	9,0	5,5	14,5	23,0	34,0	-7,4	2,7	7,5	6,25	-	79	16,0	-	25,0	25,5	90°
90480	1	5	42	13,0-14,5	5,2	-	18,8	8,0	19,0	30,0	49,0	-3,6	1,8	10,0	5,50	-	120	18,0-21,5	-	34,0	34,0	90°
90506	2	6	64	26,0	5,6	5,6	32,0	16,0	24,0	45,0	66,3	-2,6	5,0	13,2	6,00	12,7	162	19,5-29,5	28,5	42,0	38,0	90°
90522	3	8	73	25,7	6,5	5,1	37,0	14,0	32,0	48,5	86,0	-7,4	5,0	15,0	7,00	-	206	22,0-31,8	31,6	45,5	50,0	90°

CAD



Subject to technical alterations.

No. 6832B

Horizontal toggle clamp, black

With open clamping arm and vertical base.

Matte black surface. Rivets made of stainless steel, which, for sizes 2 and 3, run in hardened bushings. Bearings are pre-lubricated.

Ergonomic, oil-resistant black handle with large grip surface and soft components. Lock washer for the thrust bolt at the end of the clamping arm.

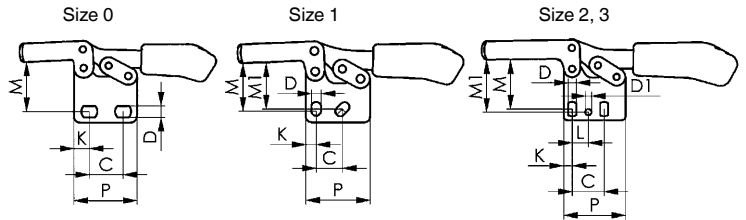
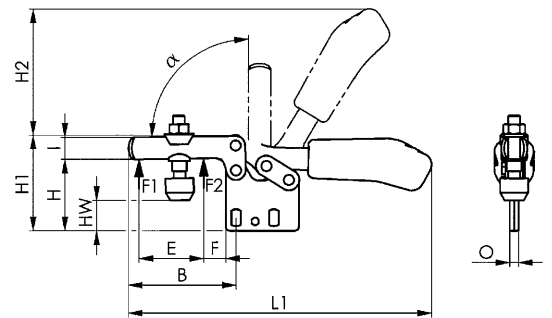
Complete with tempered, matte-black clamping screw no. 6890B.

Order no.	Size	F1 [kN]	F2 [kN]	Clamping screw	Weight [g]
90290	0	0,3	0,4	M4x34,5	35
90308	1	0,8	1,1	M5x38	105
482471	1	0,8	1,1	-	95
90530	2	1,0	1,2	M6x46	185
456400	2	1,0	1,2	-	170
90381	3	1,8	2,5	M8x63	320
482497	3	1,8	2,5	-	280

Note:

These clamps are suitable for photogrammetric use. The matte-black surface of the clamps prevents reflection while photographing.

For suitable clamping arm extension see no. 6896.



Recommendations



No. 6890B,
page 149



No. 6830B,
page 106



No. 6800B,
page 104

Dimensions:

Order no.	Size	A	B	C	D	D1	E	F	H	H1	H2	HW min.	HW max.	I	K	L	L1	M	M1	N	O	P	α
90290	0	4	28,0	11,5-15,5	4,6	-	9,0	5,5	24,5	33	34	2,2	13,7	7,5	6,25	-	79,0	20,0	-	12	3	25,5	90°
90308	1	5	41,7	13,0-15,5	5,2	-	18,5	8,0	31,5	43	49	8,9	14,8	10,0	5,50	-	119,7	23,5-25,5	24,5	18	5	34,0	90°
482471	1	5	41,7	13,0-15,5	5,5	-	18,5	8,0	31,5	43	49	-	-	10,0	5,50	-	119,7	23,5-25,5	24,5	18	5	34,0	90°
90530	2	6	64,0	26,0	5,6	5,6	32,0	16,0	40,0	61	68	14,0	22,0	13,2	6,00	12,7	164,0	29,5-34,0	34,0	21	5	38,0	90°
456400	2	6	64,0	26,0	5,6	5,6	32,0	16,0	40,0	61	68	-	-	13,2	6,00	12,7	164,0	29,5-34,0	34,0	21	5	38,0	90°
90381	3	8	73,0	25,7	6,5	5,1	39,0	12,0	49,0	65	86	9,5	22,0	15,0	7,00	13,0	206,0	37,5-42,5	42,0	27	6	50,0	90°
482497	3	8	73,0	25,7	6,5	5,1	39,0	12,0	49,0	65	86	-	-	15,0	7,00	13,0	206,0	37,5-42,5	42,0	27	6	50,0	90°



No. 6835B-2

Horizontal toggle clamp, black

With open clamping arm and vertical, open base.

Matte black surface. Stainless steel rivets, which run in hardened bushes. Bearings are pre-lubricated.

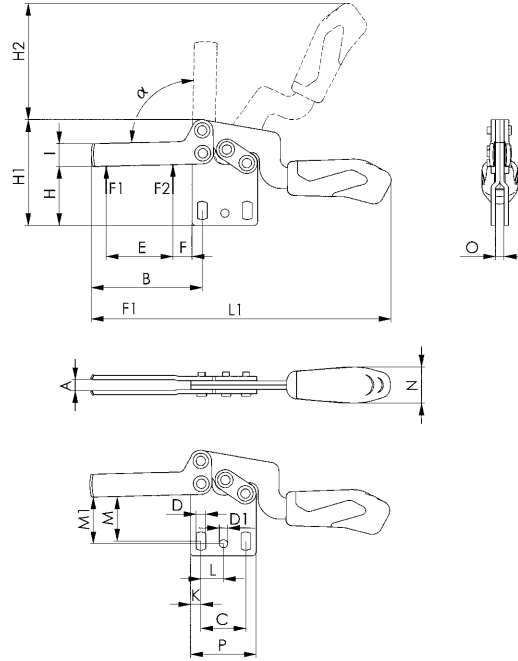
Ergonomic, oil-resistant black handle with large grip surface and soft components. Lock washer for the thrust bolt at the end of the clamping arm.

Order no.	Size	F1 [kN]	F2 [kN]	Weight [g]
90670	2	1,0	1,2	190

Note:

These clamps are suitable for photogrammetric use. The matte-black surface of the clamps prevents reflection while photographing.

For suitable clamping arm extension see no. 6896.



Recommendations



No. 6896,
page 153



No. 6890B,
page 149

Dimensions:

Order no.	Size	A	B	C	D	D1	E	F	H	H1	H2	I	K	L	L1	M	M1	N	O	P	α
90670	2	6,2	64	26,0	5,6	4,8	38,6	11,0	34	61	67	13,2	6	13,1	173,5	23,0-28,0	27	21	5	38	90°

CAD



Subject to technical alterations.

No. 6835B-3

Horizontal toggle clamp, black

With open clamping arm and vertical, open base.

Matte black surface. Stainless steel rivets, which run in hardened bushes. Bearings are pre-lubricated.

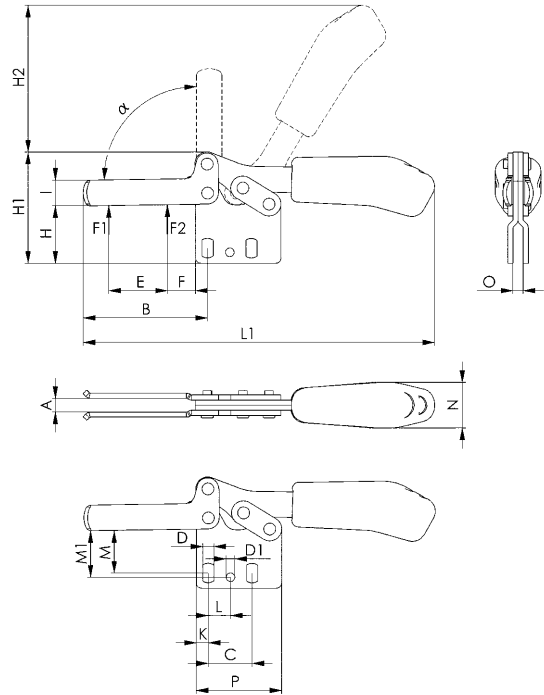
Ergonomic, oil-resistant black handle with large grip surface and soft components. Lock washer for the thrust bolt at the end of the clamping arm.

Order no.	Size	F1 [kN]	F2 [kN]	Weight [g]
90696	3	1,8	2,5	320

Note:

These clamps are suitable for photogrammetric use. The matte-black surface of the clamps prevents reflection while photographing.

For suitable clamping arm extension see no. 6896.



Recommendations



No. 6896,
page 153



No. 6890B,
page 149

Dimensions:

Order no.	Size	A	B	C	D	D1	E	F	H	H1	H2	I	K	L	L1	M	M1	N	O	P	α
90696	3	8,0	73	25,7	6,5	5,1	34,5	16,5	34	65	86	15,0	7	13,0	206,0	22,5-27,5	27	27	6	50	90°



CAD

No. 6841B

Push-pull type toggle clamp, black

With small angle base. Push- and pull-clamping. (Equal operation of rod and lever). Long rod-guide with attaching thread and nut. Matte black surface. Stainless steel rivets. Lever parts and rod of tempered steel. Bearings are pre-lubricated. Ergonomic, oil-resistant black handle with large grip surface and soft components. Lever can be set to any angle relative to base. **Complete with tempered, matte-black clamping screw no. 6880B.**

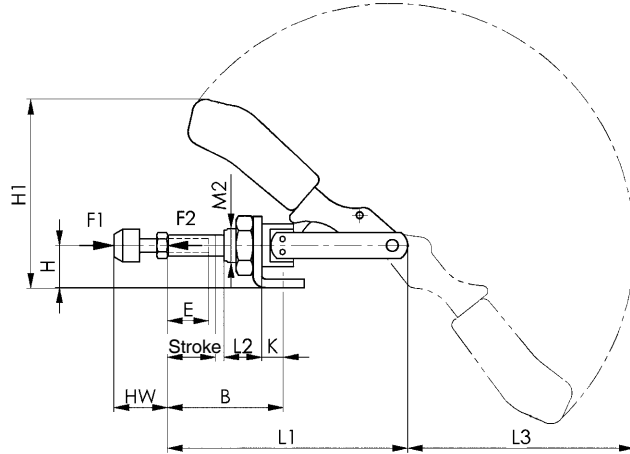


CAD

Order no.	Size	F1 [kN]	F2 [kN]	Clamping screw	Weight [g]
90548	1	1,0	1,0	M4x20	125
91280	2	2,0	2,0	M6x25	245

Note:

These clamps are suitable for photogrammetric use. The matte-black surface of the clamps prevents reflection while photographing.



Recommendations



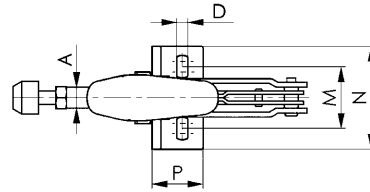
No. 6880B,
page 150



No. 6800B,
page 104



No. 6830B,
page 106



Dimensions:

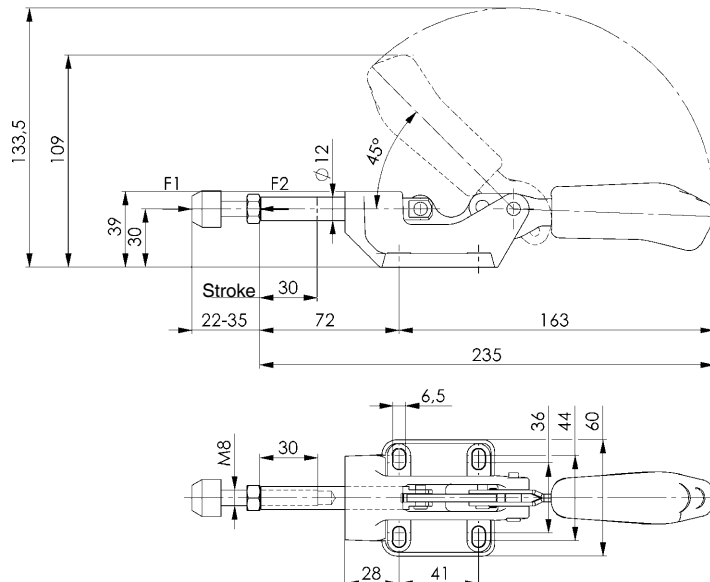
Order no.	Size	A	B min.	B max.	D	E	H	H1	Stroke	HW min.	HW max.	K	L1	L2	L3	M	M2	N	P
90548	1	8,0	24,5	44,5	4,5	20	15	60	20	12	20	7,0	91	16	72	16,0-19,5	M12x1,5	30	20
91280	2	10,0	32,5	57,5	5,6	25	20	95	26	17	25	12,5	114	19	105	31,8-36,0	M16x1,5	50	34

No. 6845B

Push-pull type toggle clamp, black

Push clamp. (Opposed operation of rod and lever). Version with long rod guide. Basic body of malleable cast iron, matt black surface. Lever parts and rod of tempered steel, matte-black galvanised. Stainless steel rivets, which run in hardened bushes. Bearings are pre-lubricated. Ergonomic, oil-resistant handle with large grip surface and soft components. **Complete with tempered, matte-black clamping screw no. 6880B-3.**

Order no.	Size	F1 [kN]	Clamping screw	Weight [g]
99663	3	4	M8 x 44	540



Subject to technical alterations.

No. 6800BS

Vertical toggle clamp with safety latch, black

For open and clamped positions. With open clamping arm and horizontal base.

Matte black surface. Stainless steel rivets, which run in hardened bushes. Bearings are pre-lubricated.

Ergonomic, oil-resistant black handle with large grip surface and soft components. Safety clamping piece with finger protection.

Lock washer for the thrust bolt at the end of the clamping arm.

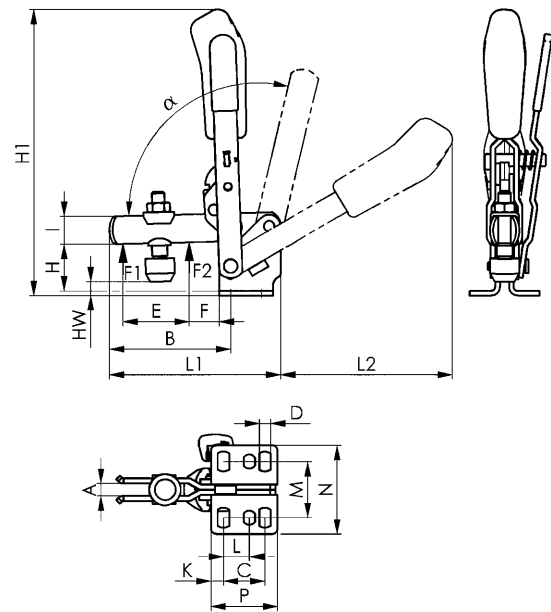
Complete with tempered, matte-black clamping screw no. 6890B.

Order no.	Size	F1 [kN]	F2 [kN]	Clamping screw	Weight [g]
91348	2	1,0	1,2	M6x46	260

Note:

These clamps are suitable for photogrammetric use. The matte-black surface of the clamps prevents reflection while photographing.

For suitable clamping arm extension see no. 6896.



Recommendations



No. 6890B,
page 149



No. 6800B,
page 104



No. 6802B,
page 105

Dimensions:

Order no.	Size	A	B	C	D	E	F	H	H1	HW min.	HW max.	I	K	L	L1	L2	M	N	P	α	α^*
91348	2	6	52	20	5,5	26	11	23	139	-4,4	4,4	12	6	12,5	78	88	23-31	43	32	105°	60°

* The opening angle can be changed by pressing in a stop pin.



No. 6802BS

Vertical toggle clamp with safety latch, black

For open and clamped positions. With open clamping arm and vertical base.

Matte black surface. Stainless steel rivets, which run in hardened bushes. Bearings are pre-lubricated.

Ergonomic, oil-resistant black handle with large grip surface and soft components. Safety clamping piece with finger protection. Lock washer for the thrust bolt at the end of the clamping arm.

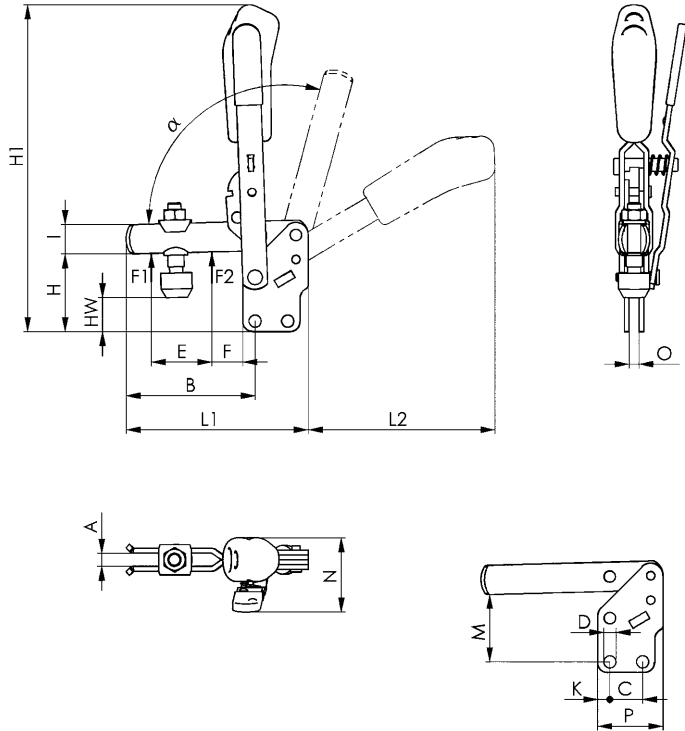
Complete with tempered, matte-black clamping screw no. 6890B.

Order no.	Size	F1 [kN]	F2 [kN]	Clamping screw	Weight [g]
99689	3	1,4	2,5	M8x63	470

Note:

These clamps are suitable for photogrammetric use. The matte-black surface of the clamps prevents reflection while photographing.

For suitable clamping arm extension see no. 6896.



Recommendations



No. 6890B,
page 149



No. 6802B,
page 105



No. 6800B,
page 104

Dimensions:

Order no.	Size	A	B	C	D	E	F	H	H1	HW min.	HW max.	I	K	L1	L2	M	N	O	P	α	α^*
99689	3	8	79	20	7,5	37	19	48	200	16,5	25	18	7,5	112	114	41	45,5	6	40	105°	60°



CAD

No. 6832BS

Horizontal toggle clamp with safety latch, black

For open and clamped positions. With open clamping arm and vertical base.

Matte black surface. Stainless steel rivets, which run in hardened bushes. Bearings are pre-lubricated.

Ergonomic, oil-resistant black handle with large grip surface and soft components. Lock washer for the thrust bolt at the end of the clamping arm.

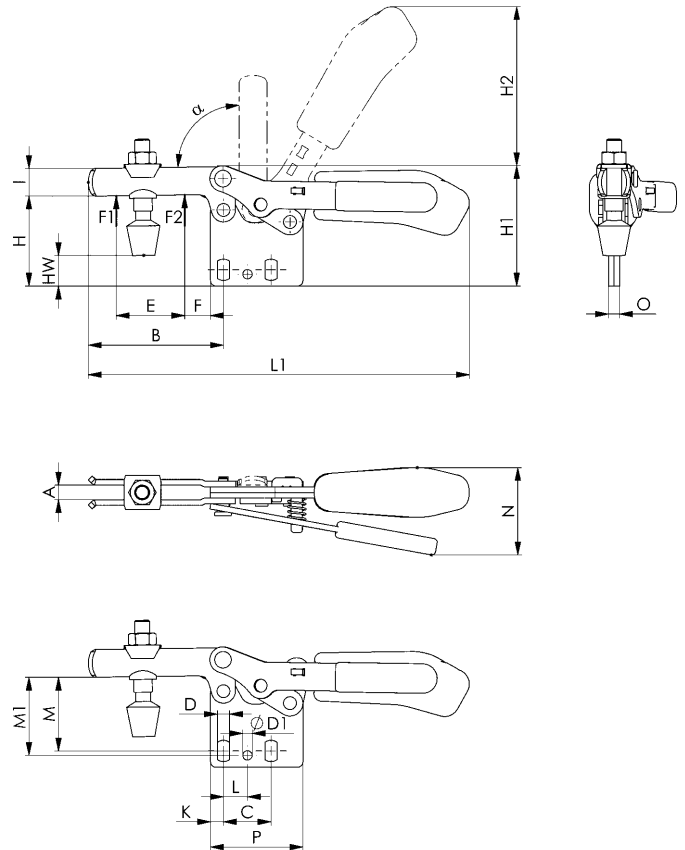
Complete with tempered, matte-black clamping screw no. 6890B.

Order no.	Size	F1 [kN]	F2 [kN]	Clamping screw	Weight [g]
99648	3	1,8	2,5	M8x63	390

Note:

These clamps are suitable for photogrammetric use. The matte-black surface of the clamps prevents reflection while photographing.

For suitable clamping arm extension see no. 6896.



Recommendations



No. 6896,
page 153



No. 6890B,
page 149



No. 6835BS-2,
page 114

Dimensions:

Order no.	Size	A	B	C	D	D1	E	F	H	H1	H2	HW min.	HW max.	I	K	L	L1	M	M1	N	O	P	α
99648	3	8	73	25,7	6,5	5,1	37	14	49	65	86	9	22	15	7	13	206	38-42	42	47	6	50	90°



No. 6835BS-2

Horizontal toggle clamp with safety latch, black

For open and clamped positions. With open clamping arm and vertical, open base.

Matte black surface. Stainless steel rivets, which run in hardened bushes. Bearings are pre-lubricated.

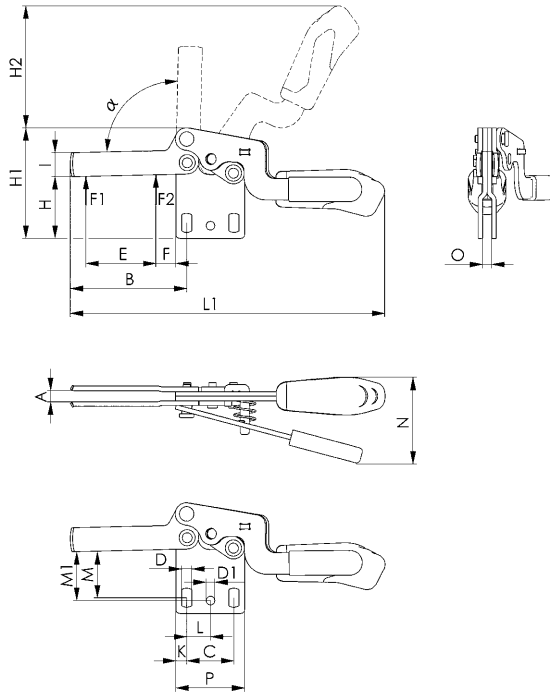
Ergonomic, oil-resistant black handle with large grip surface and soft components. Lock washer for the thrust bolt at the end of the clamping arm.

Order no.	Size	F1 [kN]	F2 [kN]	Weight [g]
90712	2	1,0	1,2	230

Note:

These clamps are suitable for photogrammetric use. The matte-black surface of the clamps prevents reflection while photographing.

For suitable clamping arm extension see no. 6896.



Recommendations



No. 6896,
page 153



No. 6890B,
page 149



No. 6832BS,
page 113

Dimensions:

Order no.	Size	A	B	C	D	D1	E	F	H	H1	H2	I	K	L	L1	M	M1	N	O	P	α
90712	2	6,2	64	26,0	5,6	4,8	38,6	11,0	34	61	67	13,2	6	13,1	173,5	23,0-28,0	27	48,0	5	38	90°

CAD



Subject to technical alterations.

No. 6835BS-3

Horizontal toggle clamp with safety latch, black

For open and clamped positions. With open clamping arm and vertical, open base.

Matte black surface. Stainless steel rivets, which run in hardened bushes. Bearings are pre-lubricated.

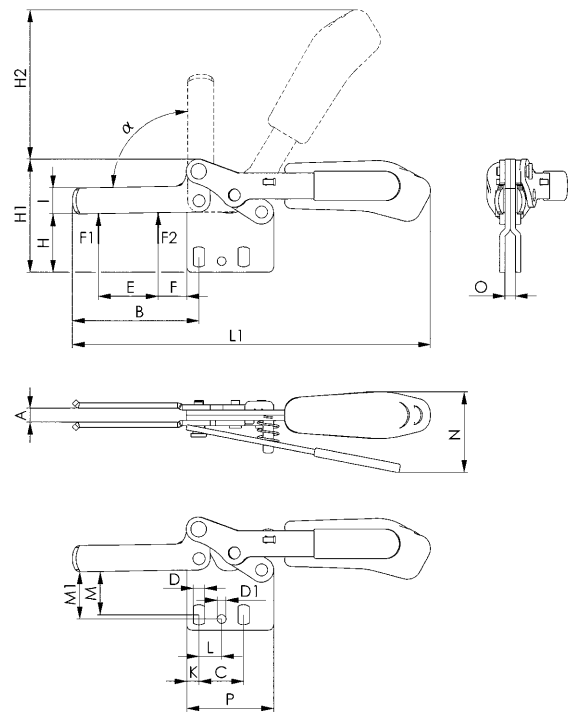
Ergonomic, oil-resistant black handle with large grip surface and soft components. Lock washer for the thrust bolt at the end of the clamping arm.

Order no.	Size	F1 [kN]	F2 [kN]	Weight [g]
90662	3	1,8	2,5	350

Note:

These clamps are suitable for photogrammetric use. The matte-black surface of the clamps prevents reflection while photographing.

For suitable clamping arm extension see no. 6896.



Recommendations



No. 6896,
page 153



No. 6890B,
page 149

Dimensions:

Order no.	Size	A	B	C	D	D1	E	F	H	H1	H2	I	K	L	L1	M	M1	N	O	P	α
90662	3	8,0	73	25,7	6,5	5,1	34,5	16,5	34	65	86	15,0	7	13,0	206,0	22,5-27,5	27	46,5	6	50	90°



> AMF PNEUMATIC TOGGLE CLAMPS

have definite advantages over the manual toggle clamps:

- > relieve operator of strenuous clamping movement
- > a number of clamps can be used simultaneously
- > a number of clamps can be operated with different sequences
- > one or more clamps can be controlled from the machine panel
- > one or more clamps can be operated from different positions.

> ADVANTAGES OF THE TOGGLE ACTION...

- > in the event of air failure, clamp stays locked
- > low air consumption with maximum leverage
- > large opening angle, clearing the component for easy removal
- > assures maximum power-to movement ratio.

> SELECTION GUIDE

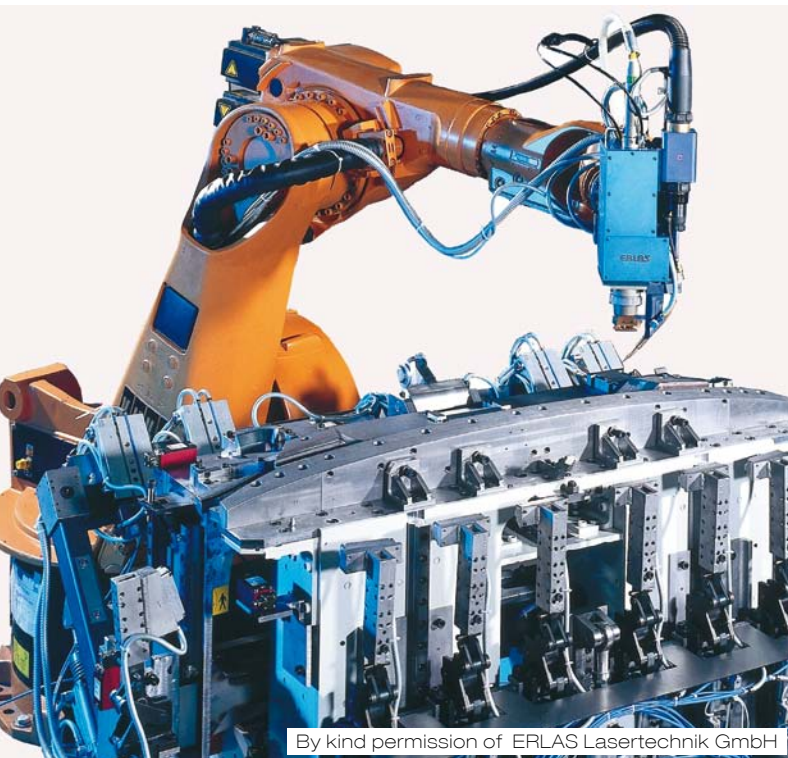
The pneumatic toggle clamp no. 6820 correspond in design and dimensions to the mechanical toggle clamp no. 6800. Therefore hand operated clamps can be replaced with pneumatic toggle clamps - if required.

Heavy duty pneumatic toggle clamps no. 6825C/CE and no. 6826C/CE are recommended to be incorporated in special and transfer machines. Tempered and ground bolts guarantee long life. The push type pneumatic toggle clamp no. 6850 corresponds in design and dimensions to the mechanical toggle clamp no. 6842 when pushed/closed, maximum forces of 2.5 - 10 kN can be reached.

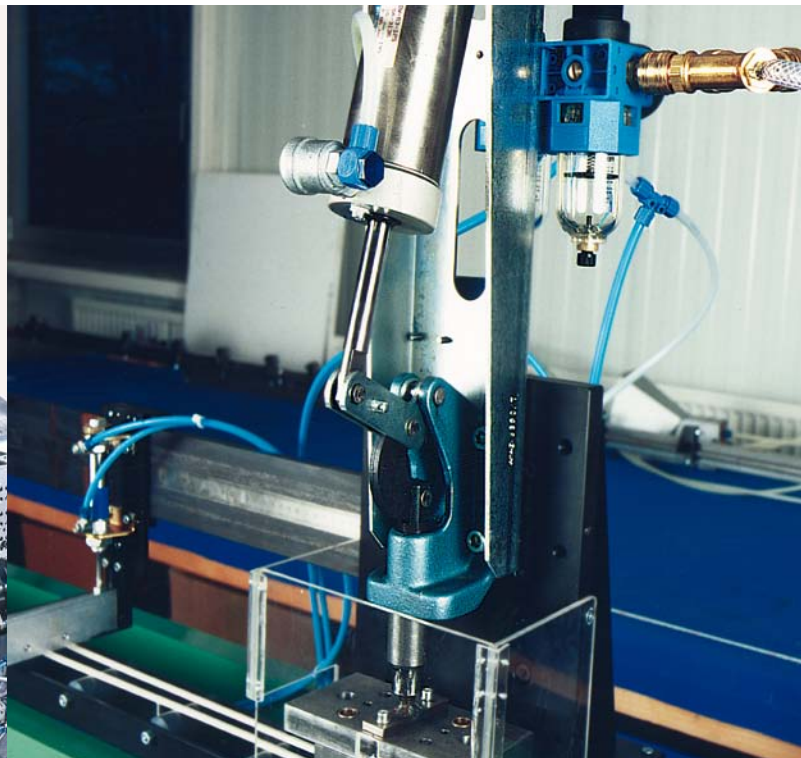
> CLAMPING AND HOLDING FORCES

As already explained for the hand operated toggle clamps, the selection of the correct clamp is of utmost importance. To select the correct size of pneumatic clamp, apart from the holding force, the possible clamping force at 6 bar air pressure (other pressure media may also be used at pressures up to max. 10 bar) is indicated in the tables

- > F3 is the possible clamping force at the end of the arm.
- > F4 is the force applied at the fulcum.
- > F5 is the piston force 6 bar air pressure.



By kind permission of ERLAS Lasertechnik GmbH



No. 6850

Push type pneumatic toggle clamp

Thrust clamp

Heavy version for long working life. Fitted with double-acting FESTO pneumatic cylinder with flow-restriction drillings for reduced speed, anodised, assembled and ready to connect.

Sizes 3 with magnetic piston to signal end positions, for sizes 5 and 7, end position monitoring is not possible.

Materials: console galvanized and passivated, clamp body is malleable iron casting, painted. Toggle parts and push rod are heat-treated steel, galvanized and passivated. Rivet is stainless steel. Bearings are pre-lubricated.

Complete with tempered, galvanized clamping screw no. 6880.



CAD

Order no.	Size	F1 [kN]	F3 [kN]	F5 [kN]	Vn [dm ³]	Clamping screw	Weight [g]
95034	3	4	2,5	0,75	0,8	M8x35	1800
95059	5	10	5,0	1,00	2,2	M12x50	3400
95075	7	25	10,0	1,80	4,5	M12x50	7680

F3 = maximum clamping force at 6 bar.

Vn = Air consumption per double stroke in dm³ at 6 bar.

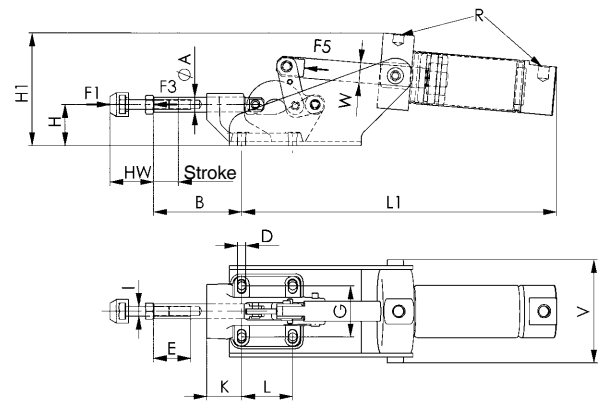
Note:

Sizes 5 and 7 are not to design, and have long consoles.

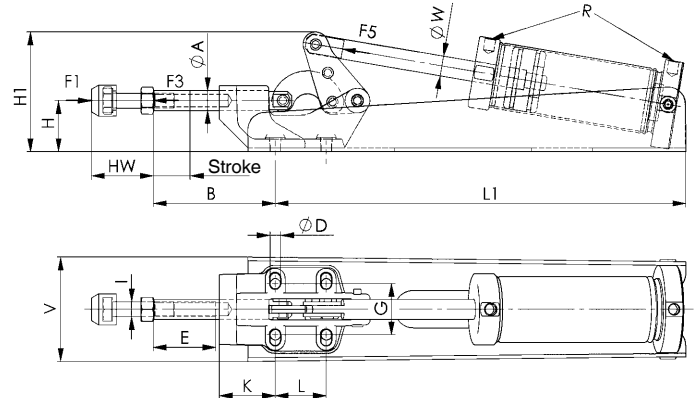
Please enquire separately for suitable fastening kits and proximity switches for end position monitoring.



Size 3



Size 5, 7



Recommendations



No. 6842,
page 48



No. 6820A,
page 120



No. 6825C,
page 122

Dimensions:

Order no.	Size	dia. A	B	D	E	G	H	H1	Stroke	HW min.	HW max.	I	K	L	L1	R	V	dia. W	Piston dia.	Piston stroke
95034	3	12	71	6,5	30	41	33	91	20,0	21,5	35	M 8	28	41	253	G1/8	83	16	40	62
95059	5	16	98	8,5	50	41	41	96	29,6	30,0	50	M12	45	41	330	G1/8	80	16	50	100
95075	7	22	105	11,0	50	57	59	128	38,0	30,0	50	M12	45	70	423	G1/4	96	16	63	125

Piston dia. = Cylinder dia. required for piston force F5 at 6 bar air pressure.

No. 6860P

Combi-clamp, pneumatic

Galvanized and passivated. Stainless steel rivets which run in case-hardened bearing bushes. Bearing points greased. Equipped with pneumatic cylinder, double-acting, red anodised.

With magnetic piston for limit position query.



CAD

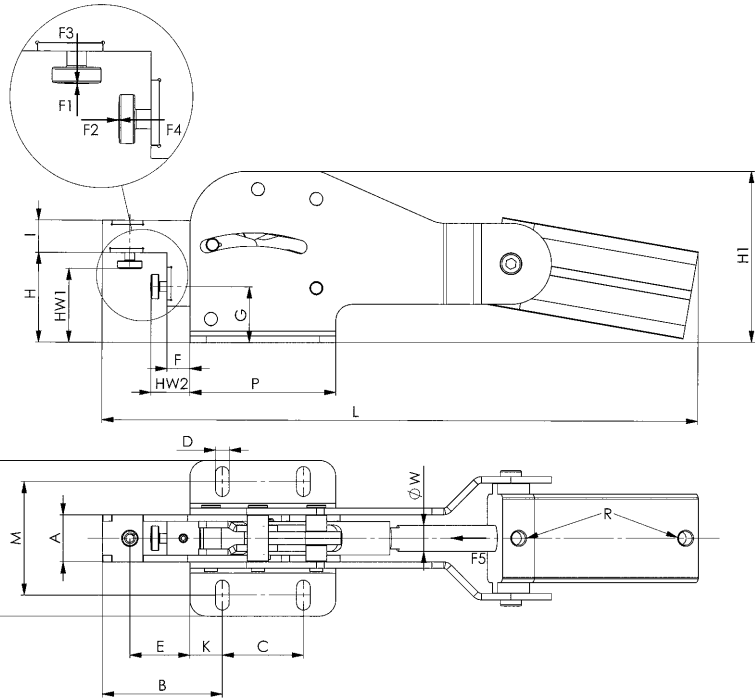
Order no.	Size	F1 [kN]	F2 [kN]	F3 [kN]	F4 [kN]	F5 [kN]	Vn [dm ³]	Weight [g]
90787	1	1,0	1,0	0,3	0,12	0,26	0,26	770
91488	2	2,0	2,0	0,5	0,25	0,35	0,35	1450
92163	3	3,0	3,0	0,7	0,35	0,80	0,80	3050

F3 or F4 = max. achievable clamping force at 6 bar.

Vn = air consumption per double stroke in dm³ at 6 bar.

Note:

Suitable proximity switches for end-position monitoring are available using order no. 392241. 0.3 m PUR cable with M8 connector and rotatable knurled nuts. Switching function: NOC. Output: PNP.



Recommendations



No. 6860,
page 38

Dimensions:

Order no.	Size	A	B	C	D	E	F	G	H	H1	HW1 min.	HW1 max.	HW2 min.	HW2 max.	I	K
90787	1	17,0	33	40	5,5	15	0,5	22	36,0	68	25	32	5	10	12	7,5
91488	2	19,5	56	50	6,5	32	10,5	28	46,0	88	30	40	10	20	16	12,5
92163	3	29,0	74	50	8,5	37	14,0	34	55,5	106	40	50	20	30	20	20,0

Order no.	Size	L	M	N	P	R	dia. W	Piston dia.
90787	1	225	34,5-39,5	53	55	M5	10	25
91488	2	305	55	75	75	G1/8	12	32
92163	3	370	70	96	90	G1/8	16	40

No. 6820K

Pneumatic toggle clamp

with horizontal cylinder attachment.

Fitted with FESTO plastic pneumatic cylinder, double-acting and ready to connect. Clamps galvanized and passivated, rivets made of stainless steel, which, for sizes 2 and 3, run in hardened bushings. Bearings are pre-lubricated. **Complete with tempered, galvanized clamping screw no. 6890.** The console is self-supporting and must be clear of other surfaces. The speed of operation is controlled with a valve. For sizes 2 and 3, the front air connection is on the side.

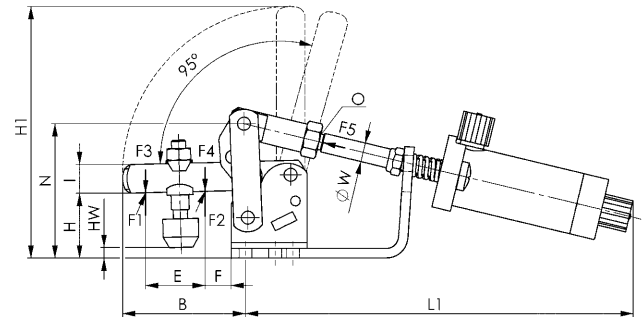
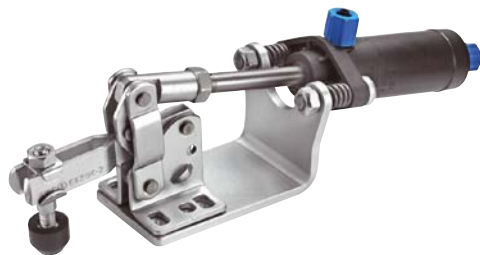


CAD

Order no.	Size	F1 [kN]	F2 [kN]	F3 [kN]	F4 [kN]	F5 [N]	Vn [dm ³]	Clamping screw	Weight [g]
91710	0	0,5	0,7	0,07	0,09	38	0,03	M4x25	125
91728	1	0,8	1,1	0,13	0,18	60	0,06	M5x30	400
91736	2	1,0	1,2	0,35	0,50	170	0,17	M6x35	600
91744	3	1,4	2,5	0,55	1,00	265	0,30	M8x45	800

F3+F4 = maximum clamping force at 6 bar.

Vn = Air consumption per double stroke in dm³ at 6 bar.



Recommendations



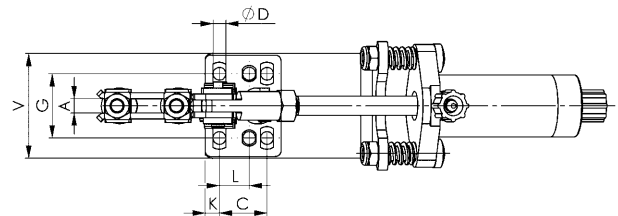
No. 6891,
page 151



No. 6821A,
page 121



No. 6825CE,
page 124



Dimensions:

Order no.	Size	A	B	C	dia. D	E	F	G	H	H1	HW min.	HW max.	I	K
91710	0	4	31	13,5	4,5	16	10	23	20	70	-1	6	8	5,0
91728	1	5	38	16,0	4,5	19	14	24	23	85	-2	5	10	6,0
91736	2	6	51	20,0	5,4	27	20	27	27	105	-1	8	12	6,0
91744	3	8	80	20,0	7,1	43	27	32	40	155	2	14	18	7,5

Order no.	Size	L	L1	N	O	V	dia. W	Piston dia.	Piston stroke	Dia. of compressed-air hoses Inside dia. x Outside dia.
91710	0	-	132	40	40	33	4	10	40	3x4,3
91728	1	-	145	45	45	34	6	12	40	4x6,2
91736	2	12,5	163	56	56	44	8	20	40	4x6,2
91744	3	-	206	76	76	50	10	25	50	4x6,2

Connection for plastic tube, FESTO-NW3 for 10 mm piston dia., FESTO-NW4 for 12, 20 and 25 mm piston dias.

Piston dia. = Cylinder dia. required for piston force F5 at 6 bar air pressure.

Subject to technical alterations.

No. 6820A

Pneumatic clamp

with horizontal cylinder attachment.

Fitted with pneumatic cylinder, double-acting.

With magnetic piston for end-position monitoring. With throttle bores for reduced speed. Clamps are galvanised and passivated. Stainless steel rivets which, for sizes 2 to 4, run in hardened bearing bushes. Bearings positioned are lubricated.

Complete with tempered, galvanised clamping screw no. 6890.

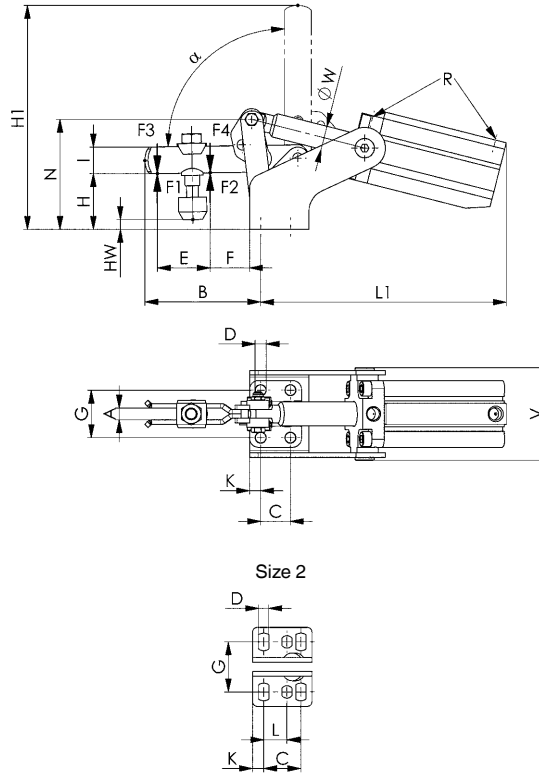


CAD

Order no.	Size	F1 [kN]	F2 [kN]	F3 [kN]	F4 [kN]	Vn [dm ³]	Clamping screw	Weight [g]
555061	1	0,8	1,1	0,20	0,3	0,08	M5 x 30	320
555062	2	1,0	1,2	0,70	1,0	0,26	M6 x 35	600
555063	3	1,0	2,5	0,65	1,1	0,35	M8 x 45	1005
555064	4	2,0	3,0	1,50	2,2	0,80	M8 x 65	1520

Note:

Suitable proximity switches for end-position monitoring are available using order no. 392241. 0.3 m PUR cable with M8 connector and rotatable knurled nuts.
Switching function: NOC. Output: PNP.



Recommendations



No. 6895,
page 154



No. 6821A,
page 121

Dimensions:

Order no.	Size	A	B	C	D	E	F	G	H	H1	HW min.	HW max.	I	K	L	L1	N	R	V	dia. W	Piston dia.	Opening angle α
555061	1	5	39,0	16	4,5	18	6	24	21,0	84	-2,0	4,5	10	6,0	-	126,0	45,5	M5	50,0	8	16	92,0°
555062	2	6	51,5	20	5,5	25	11	27	26,0	104	-1,0	7,0	12	6,0	12,5	145,0	55,0	M5	54,5	12	25	91,5°
555063	3	8	78,0	20	7,5	36	19	32	36,5	151	5,4	14,0	18	7,5	-	165,5	74,5	G1/8	62,5	16	32	90,0°
555064	4	10	101,0	32	8,6	45	25	45	45,0	191	-3,0	25,5	20	13,0	-	196,0	90,0	G1/8	77,5	16	40	90,5°

No. 6821A

Pneumatic clamp

with vertical cylinder structure.
Space-saving angled form. Vertical or horizontal mounting.
Fitted with pneumatic cylinder, double-acting.

With magnetic piston for end-position monitoring. With throttle bores for reduced speed. Clamps are galvanised and passivated. Stainless steel rivets, which run in hardened bearing bushes. Bearings positioned are lubricated.

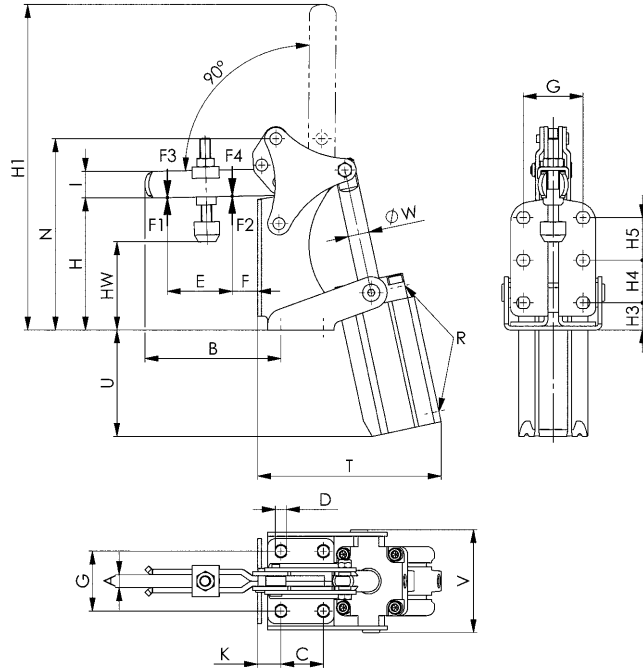
Complete with tempered, galvanised clamping screw no. 6890.



Order no.	Size	F1 [kN]	F2 [kN]	F3 [kN]	F4 [kN]	Vn [dm ³]	Clamping screw	Weight [g]
555065	2	1	1,2	0,70	1,0	0,26	M6 x 35	625
555066	3	1	2,5	0,65	1,1	0,35	M8 x 45	1025
555067	4	2	3,0	1,50	2,2	0,80	M8 x 65	1700

Note:

Suitable proximity switches for end-position monitoring are available using order no. 392241. 0.3 m PUR cable with M8 connector and rotatable knurled nuts.
Switching function: NOC. Output: PNP.



Recommendations



No. 6895,
page 154



No. 6829V,
page 129



No. 6826C,
page 125

Dimensions:

Order no.	Size	A	B	C	D	E	F	G	H	H1	H3	H4	H5	HW min.	HW max.	I	K	N	R	T	U	V	dia. W	Piston dia.
555065	2	6	56,5	12,5	5,6	25	6,5	27	65,0	143,5	15,8	12,5	12,5	38,4	45,0	12	15,3	94	M5	93,0	67,5	54,5	12	25
555066	3	8	80,5	16,0	6,5	36	12,5	25	68,7	184,0	17,5	16,0	-	38,0	46,5	18	16,5	107	G1/8	112,5	78,0	62,5	16	32
555067	4	10	102,0	32,0	8,5	49	19,0	45	100,0	245,0	20,5	32,0	32,0	51,0	80,0	20	17,5	144	G1/4	139,0	80,0	77,5	16	40

No. 6825C

Heavy pneumatic toggle clamp

with horizontal cylinder attachment.
Tempering steel, burnished. The axle bolts running in bearing bushes are tempered, ground and locked with circlips.

Magnetic piston for end-position monitoring.

Clamp is ready for installation and consists of:
- toggle clamp element no. 6815C
- double acting FESTO pneumatic cylinder



Order no.	Size	F1 [kN]	F2 [kN]	F3 [kN]	F4 [kN]	F5 [kN]	Vn [dm³]	Weight [g]
92205	4	6	9	1,5	2,2	0,75	1,0	4380
92213	6	12	18	2,5	3,5	1,00	1,8	7360
92221	8	20	30	4,0	6,0	1,80	4,3	16800

F3+F4 = maximum clamping force at 6 bar.

Vn = Air consumption per double stroke in dm³ at 6 bar.

Application:

These pneumatic toggle clamps are of machine tool quality and can be installed in machines such as material handling lines and special machines. Opening and clamping position of the clamp can be controlled electrically and can be intergrated into automated manufacturing.

Note:

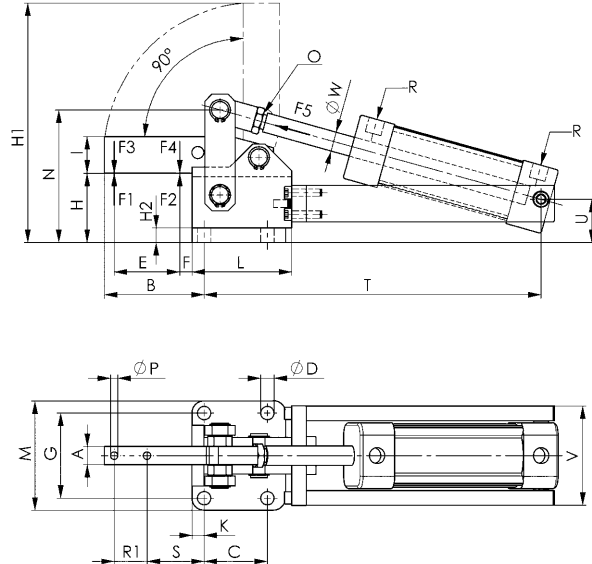
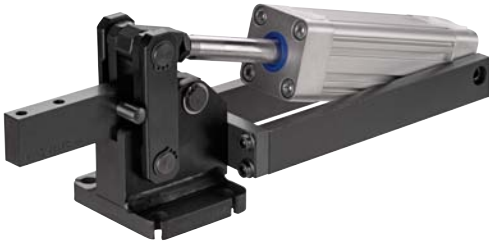
This heavy pneumatic toggle clamp is also available in a hydraulicdrive version (article no. 6960C). In case of interest, please ask for our catalogue „Hydraulic Clamping Systems“.

Suitable proximity switches for end-position monitoring are available using order no. 392241.

Design: PUR cable 0.3 m with M8 plug connection and rotating knurled nuts.

Switching function: NOC.

Output: PNP.



Recommendations



No. 6885,
page 150



No. 6825CE,
page 123



No. 6828M,
page 130

Dimensions:

Order no.	Size	A	B	C	dia. D	E	F	G	H	H1	H2	I	K	L
92205	4	15	82	52	11	54	10,0	70	57	197	12	30	10,0	82
92213	6	20	90	55	11	60	10,0	83	61	220	12	40	11,0	90
92221	8	30	128	80	13	95	9,5	111	86	310	12	60	12,5	120

Order no.	Size	M	N	O	dia. P	R	R1	S	T	U	V	dia. W	Piston dia.	Piston stroke
92205	4	90	109	M12x1,25	6,2	G1/4	27	47,0	277	35,5	82	16	40	80
92213	6	105	129	M16x1,50	8,2	G1/4	26	53,0	315	40,0	101	16	50	100
92221	8	135	176	M16x1,50	13,2	G1/4	40	69,5	383	54,0	123	20	63	120

Piston dia. = Cylinder dia. required for piston force F5 at 6 bar air pressure.

No. 6825CE

Heavy pneumatic toggle clamp

with horizontal cylinder attachment.

With adjustable end position cushioning.

Magnetic piston for end-position monitoring. Tempered

steel, blued. The axle bolts running in bronze bushes are

tempered, ground and locked with circlips.

Clamp is ready for installation and consists of:

- toggle clamp element no. 6815C

- double acting FESTO pneumatic cylinder

- bearing block

These cylinders are made to DIN ISO 6432.



CAD

Order no.	Size	F1 [kN]	F2 [kN]	F3 [kN]	F4 [kN]	F5 [kN]	Vn [dm ³]	Weight [g]
92106	0	0,6	1,0	0,2	0,4	0,10	0,10	260
92122	1	0,8	1,2	0,6	0,8	0,19	0,15	500

F3+F4 = maximum clamping force at 6 bar.

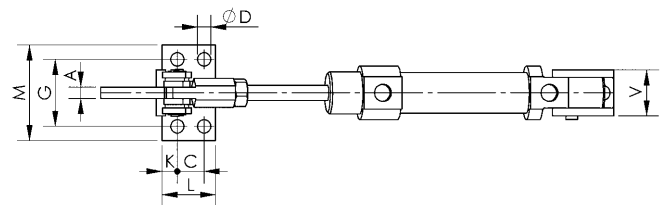
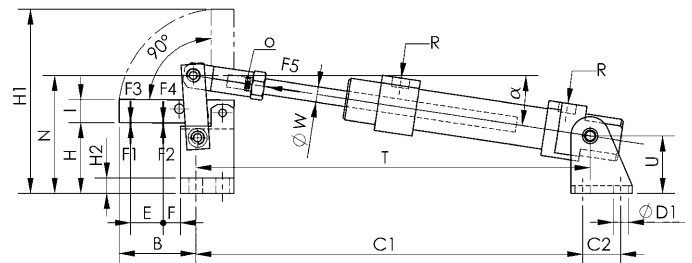
Vn = Air consumption per double stroke in dm³ at 6 bar.

Application:

These pneumatic toggle clamps are of machine tool quality and can be installed in machines such as material handling lines and special machines. Opening and clamping position of the clamp can be controlled electrically and can be intergrated into automated manufacturing.

Note:

Please enquire separately for suitable fastening kits and proximity switches for end position monitoring.



Recommendations



No. 6825C,
page 122



No. 6825CE,
page 124



No. 6828V,
page 136

Dimensions:

Order no.	Size	A	B	C	C1	C2	dia. D	dia. D1	E	F	G	H	H1	H2	I
92106	0	5	34	11	175	15	4,5	5,5	14	7	27	26	76	6	10
92122	1	6	41	14	200	20	7,0	6,5	17	9	35	37	96	8	12

Order no.	Size	K	L	M	N	O	R	T	U	V	dia. W	α	Piston dia.	Piston stroke
92106	0	5,5	22	35	47,5	M6	M5	177	27	18	6	6,6°	16	40
92122	1	8,0	28	50	62,0	M8	G1/8	204	30	24	8	9,0°	20	40

Piston dia. = Cylinder dia. required for piston force F5 at 6 bar air pressure.

No. 6825CE

Heavy pneumatic toggle clamp

with horizontal cylinder attachment.
With swivel mounting and adjustable end position cushioning.

Magnetic piston for end-position monitoring. Tempering steel, burnished. The axle bolts running in bearing bushes are tempered, ground and locked with circlips.

Clamp is ready for installation and consists of:

- toggle clamp element no. 6815C
 - double acting FESTO pneumatic cylinder.
- These cylinders are made to
- ISO 6431
 - VDMA 24562
 - NFE 49003.1
 - UNI 10290



CAD

Order no.	Size	F1 [kN]	F2 [kN]	F3 [kN]	F4 [kN]	F5 [kN]	Vn [dm ³]	Weight [g]
92239	4	6	9	1,5	2,2	0,75	1,0	5500
92247	6	12	18	2,5	3,5	1,00	1,8	7800
92254	8	20	30	4,0	6,0	1,80	4,3	17800

F3+F4 = maximum clamping force at 6 bar.

Vn = Air consumption per double stroke in dm³ at 6 bar.

Application:

These pneumatic toggle clamps are of machine tool quality and can be installed in machines such as material handling lines and special machines. Opening and clamping position of the clamp can be controlled electrically and can be integrated into automated manufacturing.

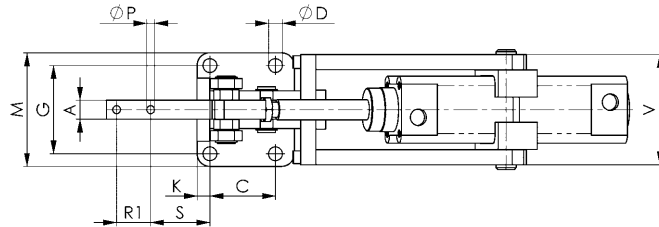
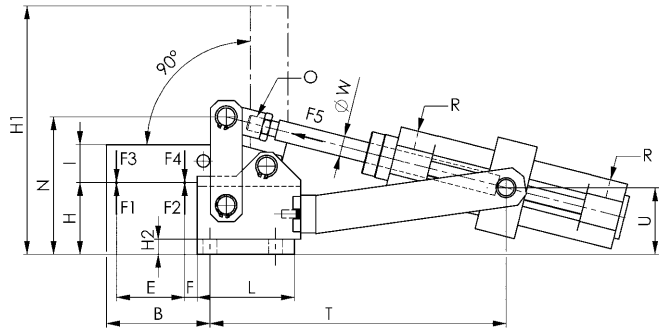
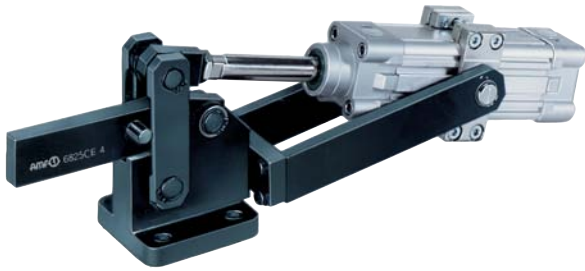
Note:

Suitable proximity switches for end-position monitoring are available using order no. 392241.

Design: PUR cable 0,3 m with M8 plug connection and rotating knurled nuts.

Switching function: NOC.

Output: PNP.



Recommendations



No. 6820A,
page 120



No. 6825C,
page 122



No. 6826CE,
page 126

Dimensions:

Order no.	Size	A	B	C	dia. D	E	F	G	H	H1	H2	I	K	L	M
92239	4	15	82	52	11	54	10,0	70	57	197	12	30	10,0	77,0	90
92247	6	20	90	55	11	60	10,0	83	61	218	12	40	11,0	85,0	105
92254	8	30	128	80	13	95	9,5	111	86	314	12	60	12,5	112,5	135

Order no.	Size	N	O	dia. P	R	R1	S	T	U	V	dia. W	Piston dia.	Piston stroke
92239	4	109	M12x1,25	6,2	G1/4	27	47,0	235	53	87,5	16	40	80
92247	6	129	M16x1,50	8,2	G1/4	26	53,0	280	55	101,0	20	50	100
92254	8	176	M16x1,50	13,2	G3/8	40	69,5	320	78	114,5	20	63	125

Piston dia. = Cylinder dia. required for piston force F5 at 6 bar air pressure.

No. 6826C

Heavy pneumatic toggle clamp

with vertical cylinder attachment.
Tempering steel, burnished. The axle bolts running in bearing bushes are tempered, ground and locked with circlips. **With magnetic piston for end-position monitoring.** The clamp is ready for installation. With double-acting FESTO pneumatic cylinder.



CAD

Order no.	Size	F1 [kN]	F2 [kN]	F3 [kN]	F4 [kN]	F5 [kN]	Vn [dm ³]	Weight [g]
92262	4	6	9	1,5	2,2	0,75	1,0	5100
92270	6	12	18	2,5	3,5	1,00	1,8	7250
92288	8	20	30	4,0	6,0	1,80	4,3	16800

F3+F4 = maximum clamping force at 6 bar.

Vn = Air consumption per double stroke in dm³ at 6 bar.

Application:

These pneumatic toggle clamps are of machine tool quality and can be installed in machines such as material handling lines and special machines. Opening and clamping position of the clamp can be controlled electrically and can be integrated into automated manufacturing.

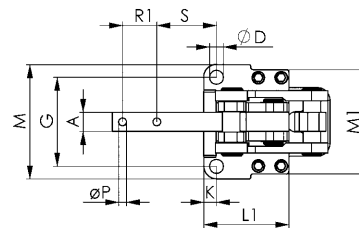
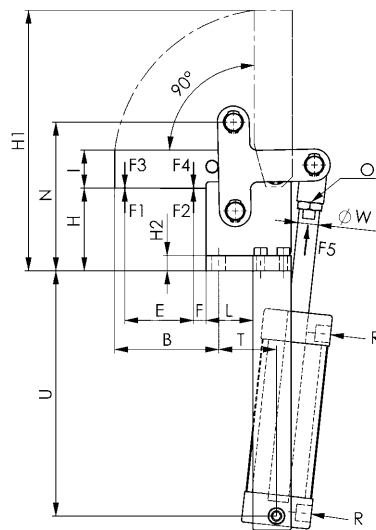
Note:

Suitable proximity switches for end-position monitoring are available using order no. 392241.

Design: PUR cable 0.3 m with M8 plug connection and rotating knurled nuts.

Switching function: NOC.

Output: PNP.



Recommendations



No. 6821A,
page 121



No. 6826CE,
page 126



No. 6828V,
page 136

Dimensions:

Order no.	Size	A	B	dia. D	E	F	G	H	H1	H2	I	K	L	L1
92262	4	15	82	11	54	10,0	70	65	205	12	30	10	37	67,0
92270	6	20	91	13	60	10,0	83	69	226	15	40	12	32	73,5
92288	8	30	125	17	95	9,5	115	94	318	20	60	15	49	109,0

Order no.	Size	M	M1	N	O	dia. P	R	R1	S	T	U	dia. W	Piston dia.	Piston stroke
92262	4	90	82	117	M12x1,25	6,2	G1/4	27	47	46	193	16	40	74
92270	6	107	100	137	M16x1,50	8,2	G1/4	26	54	48	221	16	50	87
92288	8	145	124	184	M16x1,50	13,2	G1/4	40	67	77	255	16	63	120

Piston dia. = Cylinder dia. required for piston force F5 at 6 bar air pressure.

No. 6826CE

Heavy pneumatic toggle clamp

with vertical cylinder attachment.

With swivel mounting and adjustable end position cushioning.

Magnetic piston for end-position monitoring. Tempering steel, burnished. The axle bolts running in bearing bushes are tempered, ground and locked with circlips.

Clamp is ready for installation and consists of:

- toggle clamp element no. 6816CE
- double acting FESTO pneumatic cylinder.

These cylinders are made to

- ISO 6431
- VDMA 24562
- NFE 49003.1
- UNI 10290



CAD

Order no.	Size	F1 [kN]	F2 [kN]	F3 [kN]	F4 [kN]	F5 [kN]	Vn [dm ³]	Weight [g]
92296	4	6	9	1,5	2,2	0,75	1,0	5070
92304	6	12	18	2,5	3,5	1,00	1,8	7700
92312	8	20	30	4,0	6,0	1,80	4,3	17800

F3+F4 = maximum clamping force at 6 bar.

Vn = Air consumption per double stroke in dm³ at 6 bar.

Application:

These pneumatic toggle clamps are of machine tool quality and can be installed in machines such as material handling lines and special machines. Opening and clamping position of the clamp can be controlled electrically and can be integrated into automated manufacturing.

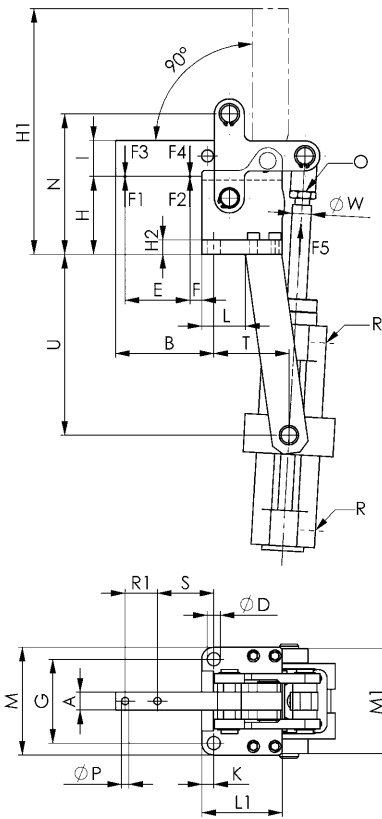
Note:

Suitable proximity switches for end-position monitoring are available using order no. 392241.

Design: PUR cable 0.3 m with M8 plug connection and rotating knurled nuts.

Switching function: NOC.

Output: PNP.



Recommendations



No. 6886,
page 151



No. 6815C,
page 127



No. 6821A,
page 121

Dimensions:

Order no.	Size	A	B	dia. D	E	F	G	H	H1	H2	I	K	L	L1
92296	4	15	82	11	54	10,0	70	65	205	12	30	10	36	67,0
92304	6	20	91	13	60	10,0	83	69	226	15	40	12	32	73,5
92312	8	30	125	17	95	9,5	115	94	318	20	60	15	49	109,0

Order no.	Size	M	M1	N	O	dia. P	R	R1	S	T	U	dia. W	Piston dia.	Piston stroke
92296	4	90	87,5	117	M12x1,25	6,2	G1/4	27	47	63	151	16	40	80
92304	6	107	100,0	137	M16x1,50	8,2	G1/4	26	54	64	186	20	50	100
92312	8	145	115,0	184	M16x1,50	13,2	G3/8	40	67	101	192	20	63	125

Piston dia. = Cylinder dia. required for piston force F5 at 6 bar air pressure.

No. 6815C

Toggle clamp element

matching with heavy pneumatic toggle clamp, with horizontal cylinder attachment no. 6825C/CE. Tempering steel, burnished. The axle bolts are tempered, ground and locked with circlips.



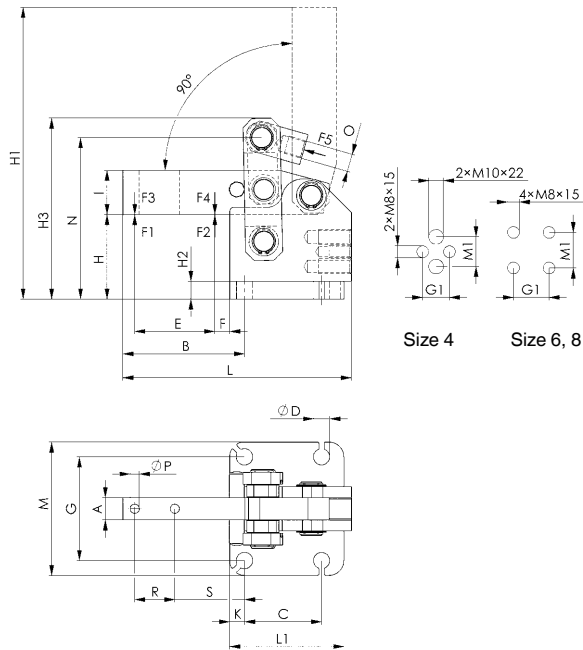
CAD

Order no.	Size	F1 [kN]	F2 [kN]	F3 [kN]	F4 [kN]	F5 [kN]	Weight [g]
92148	0	0,6	1,0	0,2	0,4	0,10	110
92155	1	0,8	1,2	0,6	0,8	0,19	230
92171	4	6,0	9,0	1,5	2,2	0,75	2535
92189	6	12,0	18,0	2,5	3,5	1,00	4215
92197	8	20,0	30,0	4,0	6,0	1,80	10670

The clamping forces F3 and F4 are achieved if a cylinder with the piston force F5 is connected.

Note:

Standard hydraulic and pneumatic cylinder can be connected to this clamp. In order to do so, the joint piece can be exchanged.



Recommendations



No. 6816CE,
page 128



No. 6825C,
page 122



No. 6820A,
page 120

Dimensions:

Order no.	Size	A	B	C	dia. D	E	F	G	G1	H	H1	H2	H3	I	K	L	L1	M	M1	N	O	dia. P	R	S	Piston dia.	Piston stroke
92148	0	5	33,5	11	4,5	14	8,5	27	-	25,5	75,5	6	53,5	10	5,5	50	22,0	35	-	47,5	M6	-	-	-	16	40
92155	1	6	41,0	14	7,0	17	9,0	35	-	37,0	96,0	8	68,0	12	8,0	61	28,0	50	-	61,5	M8	-	-	-	20	40
92171	4	15	82,0	52	11,0	54	10,0	70	18	57,0	197,0	12	122,0	30	10,0	154	77,0	90	20	109,0	M12x1,25	6,2	27	47,0	40	80
92189	6	20	90,0	55	11,0	60	10,0	83	24	61,0	215,0	12	147,0	40	11,0	169	85,0	105	24	129,0	M16x1,50	8,2	26	53,0	50	100
92197	8	30	127,5	80	13,0	95	9,5	111	34	86,0	306,0	12	196,0	60	12,5	235	112,5	136	40	176,0	M16x1,50	13,0	40	69,5	63	120

No. 6816CE

Toggle clamp element

matching with heavy pneumatic toggle clamp, with vertical cylinder attachment no. 6826CE. Tempering steel, burnished. The axle bolts are tempered, ground and locked with circlips.



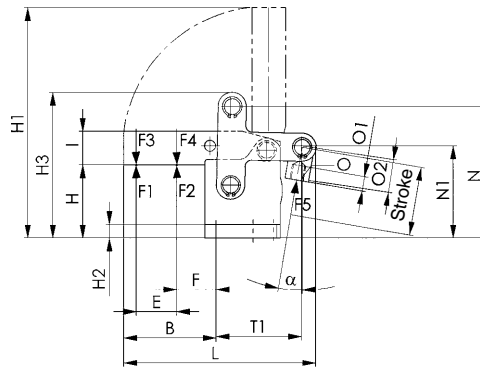
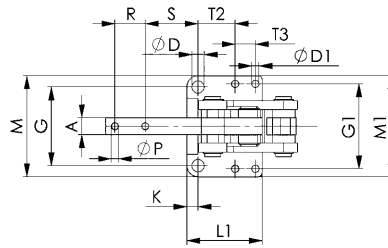
CAD

Order no.	Size	F1 [kN]	F2 [kN]	F3 [kN]	F4 [kN]	F5 [kN]	Weight [g]
92320	4	6	9	1,5	2,2	0,75	2400
92338	6	12	18	2,5	3,5	1,00	4300
92346	8	20	30	4,0	6,0	1,80	11000

The clamping forces F3 and F4 are achieved if a cylinder with the piston force F5 is connected. Position of cylinder see article no. 6826CE.

Note:

Standard hydraulic and pneumatic cylinders can be connected to this clamp. In order to do so, the joint piece can be exchanged.



Recommendations



No. 6815C,
page 127



No. 6811P,
page 22



No. 6825CE,
page 123

Dimensions:

Order no.	Size	A	B	dia. D	dia. D1	E	F	G	G1	H	H1	H2	H3	I	K	L	L1
92320	4	15	82	11	6,5	54	20,0	70	75,5	65	206	12	130	30	10	172	67,0
92338	6	20	91	13	6,5	60	22,0	83	87,5	69	226	15	155	40	12	200	73,5
92346	8	30	125	13	6,5	95	24,5	115	102,5	94	318	20	204	60	15	265	109,0

Order no.	Size	M	M1	N	N1	O	O1	O2	dia. P	R	S	T1	T2	T3	Stroke	α
92320	4	90	90	117	82	M12x1,25	14	29,5	6,2	27	47	76	33,0	18	74	9,0°
92338	6	107	100	137	92	M16x1,50	18	37,0	8,2	26	54	88	29,5	24	87	7,5°
92346	8	145	123	184	124	M16x1,50	17	32,0	13,2	40	67	120	44,0	40	120	6,5°

Subject to technical alterations.

No. 6829V

Link Clamp, pneumatic, flange-mounting version

dual acting.

Parts of mechanism are made of steel and blued. Piston rod non-rusting, polished. Body is made of aluminium, red anodised. HART-COAT® surface for wear-resistance. **Complete with clamping screw.**



Order no.	Size	F3 [kN]	Clamping screw	Weight [g]
93609	25	0,23	M 6x25	580
93617	32	0,37	M 8x35	950
93625	40	0,56	M 8x35	1200
93633	50	0,76	M12x50	1900
93641	63	1,35	M12x50	2300

Attachment options:

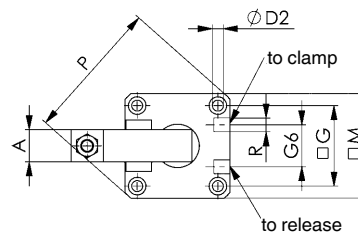
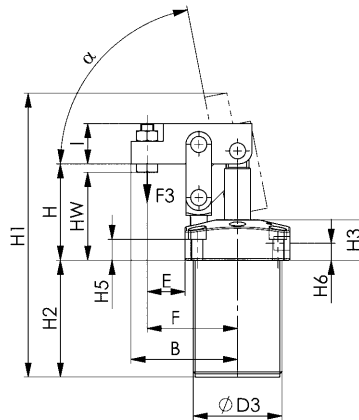
- from above by cylinder screws through the flange
- screwed in using the threads and secured with lock nut
- both ends secured with lock nuts

Accessories (not supplied as standard):

- lock nut no. 6829N
- threaded flange bi. 6829GF
- clamping screw no. 6880

Note:

The lever mechanism can be dismantled so that it can be individually modified. The mounting holes in the flange are similar to those in threaded flange No. 6829GF. Operate only with lubricated air.



Recommendations



No. 6828M, page 130



No. 6829BR/BL, page 140

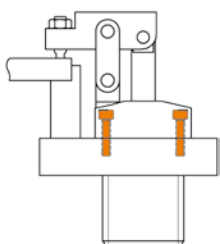


No. 6829ER/EL, page 142

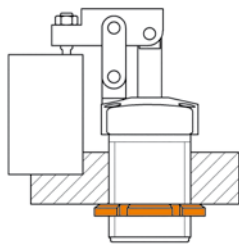
Dimensions:

Order no.	Size	A	B	dia. D2	dia. D3	E	F	G	G6	H	H1	H2	H3	H5	H6	HW	I	M	P	R	Piston dia.	α
93609	25	16	48,0	5,5	M40x1,5	16,0	41,0	37	23	51,0	144	62	25	15	12,0	37-47	17	50	66	M5	25	79°
93617	32	16	60,0	6,5	M50x1,5	22,0	52,0	45	23	57,0	170	73	25	13	10,5	50-56	20	60	80	G1/8	32	80°
93625	40	20	66,0	6,8	M55x1,5	23,5	56,0	50	26	60,0	178	73	25	13	10,5	50-54,5	25	65	87	G1/8	40	79°
93633	50	22	77,5	8,5	M65x1,5	26,0	63,5	58	32	65,0	200	79	25	11	10,5	47-57	30	75	100	G1/8	50	72°
93641	63	22	88,0	8,5	M80x1,5	29,5	74,0	70	35	71,5	211	80	25	11	9,0	54-64	30	89	118	G1/8	63	63°

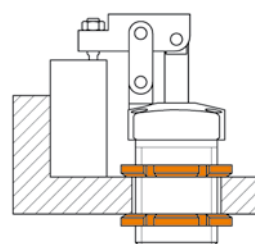
Examples of mountings



From above with 4 socket cap screws through the flange.



By screwing the body into a tapped hole and locking with a grooved nut.



By inserting the body into a plain hole and locking with two grooved nuts.

No. 6828M

Pneumatic toggle clamp

double-acting.

Max. operating pressure 6 bar.

Mini design in block version for clamping and grasping uses.

High-strength aluminium, red anodised. **Magnetic piston for end-position monitoring.** Clamping arm made of steel, burnished, with three holes.



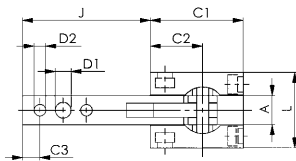
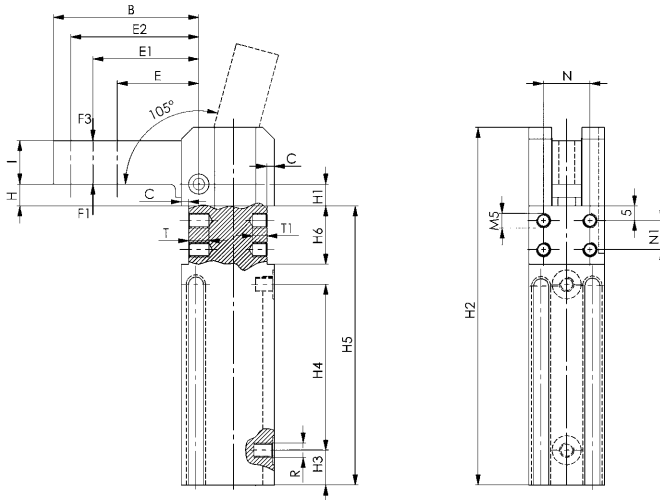
CAD

Order no.	Size	Clamping moment at 5 bar	Holding moment max.	Weight
		[Nm]	[Nm]	[g]
91843	16	8	25	300
91868	20	15	54	550
91884	25	25	75	850

Note:

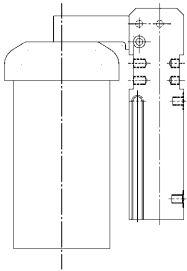
Suitable proximity switches for end-position monitoring are available using order no. 392241. 0.3 m PUR cable with M8 connector and rotatable knurled nuts.

Switching function: NOC. Output: PNP.



Application example:

Mini clamp, e.g. as „cover close device“. Defined, locked close position through toggle lever mechanism.



Recommendations



No. 6829V,
page 129



No. 6828V,
page 136

Dimensions:

Order no.	Size	A	B	C	C1	C2	C3	D1	D2 H7	E	E1	E2	H	H1	H2
91843	16	10	50	2,5	32	18	6	5,5	4	28	36,0	44	7,5	7,5	123
91868	20	12	60	3,0	39	22	8	6,5	5	32	42,0	52	15,0	14,0	158
91884	25	16	75	4,0	45	25	10	8,5	6	40	52,5	65	19,0	17,0	182

Order no.	Size	H3	H4	H5	H6 +0.1	I	J	L	N ±0.1	N1 ±0.1	R	T	T1	Piston dia.
91843	16	12,0	57	96	20	15	44	26	16	10	M5	7	5	16
91868	20	15,0	69	120	25	18	53	30	20	15	G1/8	8	6	20
91884	25	17,5	80	136	28	22	68	35	25	18	G1/8	8	6	25

Subject to technical alterations.

No. 6828H

Pneumatic clamp with lever

double-acting and with additional lever for manual opening and/or closing.

Max. operating pressure 6 bar.

Mini design in block version for clamping and gripping technology. High-strength aluminium, red anodised.

Magnetic piston for end-position monitoring. Clamp arm made from steel, bronzed, with three bores.

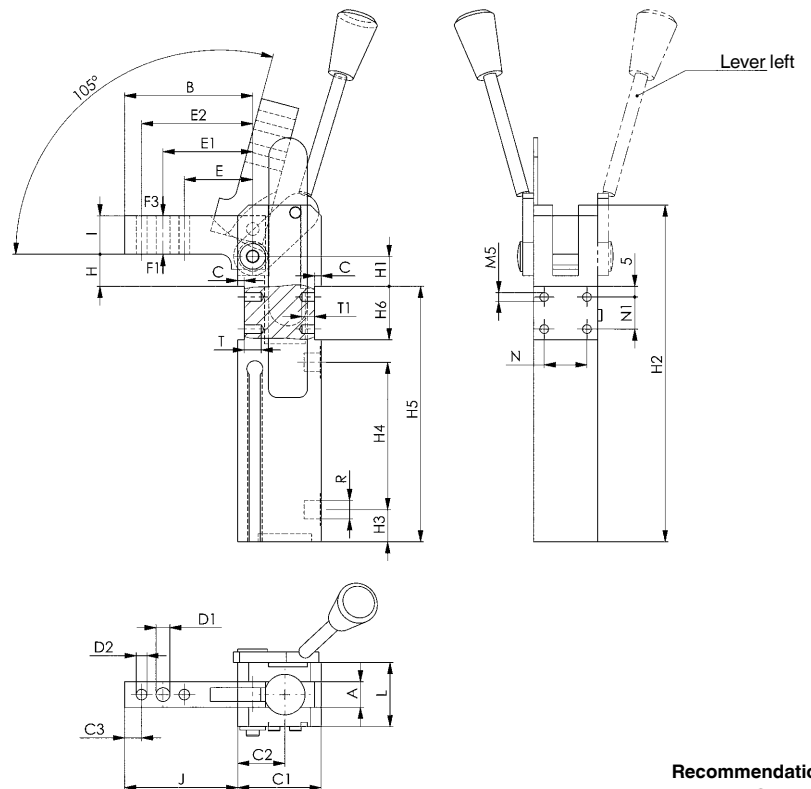


CAD

Order no.	Size	Clamping moment at 5 bar [Nm]	Lever left	Lever right	Holding moment max. [Nm]	Weight [g]
555083	16	8	-	●	25	320
555170	16	8	●	-	25	320
555084	20	15	-	●	54	700
555171	20	15	●	-	54	700
555085	25	25	-	●	75	920
555172	25	25	●	-	75	920

Note:

Suitable proximity switches for end-position monitoring are available using order no. 392241. 0.3 m PUR cable with M8 connector and rotatable knurled nuts.
Switching function: NOC. Output: PNP.



Recommendations



No. 6829V,
page 129



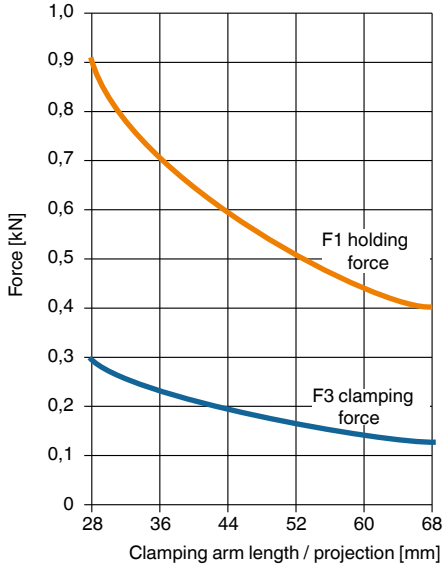
No. 6828V,
page 136

Dimensions:

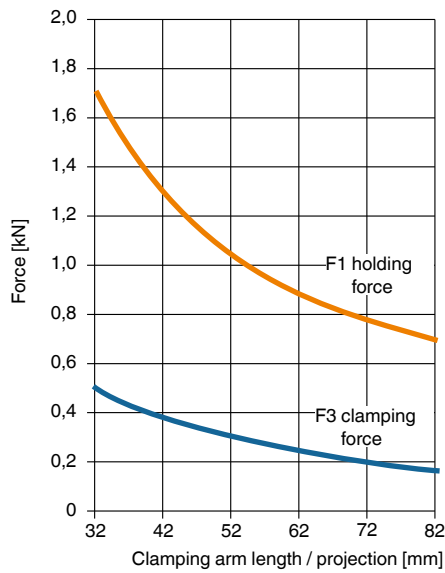
Order no.	Size	A	B	C	C1	C2	C3	D1	D2	H7	E	E1	E2	H	H1	H2	H3	H4	H5	H6 +0.1	I	J	L	N ±0.1	N1 ±0.1	R	T	T1	Piston dia.
555083	16	10	50	2,5	32	18	6	5,5	4	28	36,0	44	7,5	7,5	123	12,0	57	96	20	15	44	26	16	10	M5	7	5	16	
555170	16	10	50	2,5	32	18	6	5,5	4	28	36,0	44	7,5	7,5	123	12,0	57	96	20	15	44	26	16	10	M5	7	5	16	
555084	20	12	60	3,0	39	22	8	6,5	5	32	42,0	52	15,0	14,0	158	15,0	69	120	25	18	53	30	20	15	G1/8	8	6	20	
555171	20	12	60	3,0	39	22	8	6,5	5	32	42,0	52	15,0	14,0	158	15,0	69	120	25	18	53	30	20	15	G1/8	8	6	20	
555085	25	16	75	4,0	45	25	10	8,5	6	40	52,5	65	19,0	17,0	182	17,5	80	136	28	22	68	35	25	18	G1/8	8	6	25	
555172	25	16	75	4,0	45	25	10	8,5	6	40	52,5	65	19,0	17,0	182	17,5	80	136	28	22	68	35	25	18	G1/8	8	6	25	

Force diagrams No. 6828M and No. 6828H

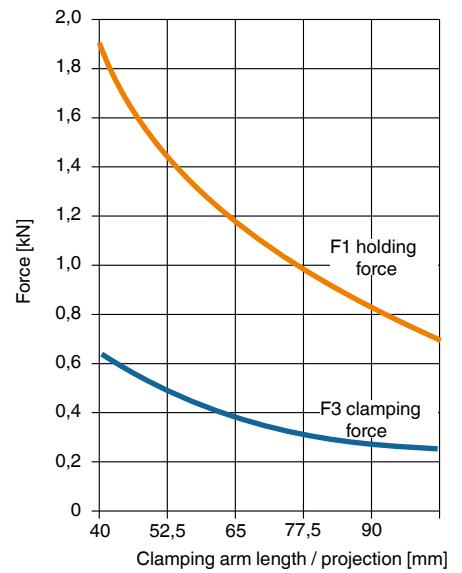
Size 16



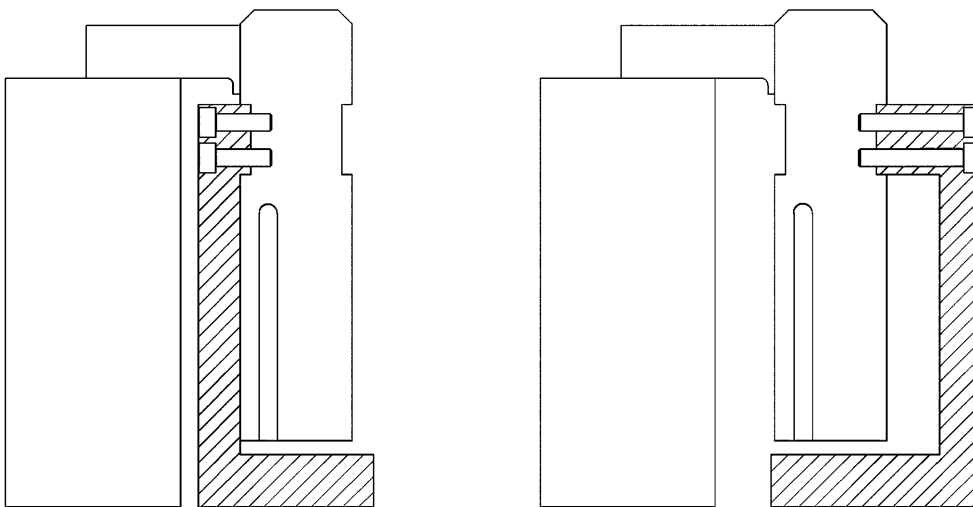
Size 20

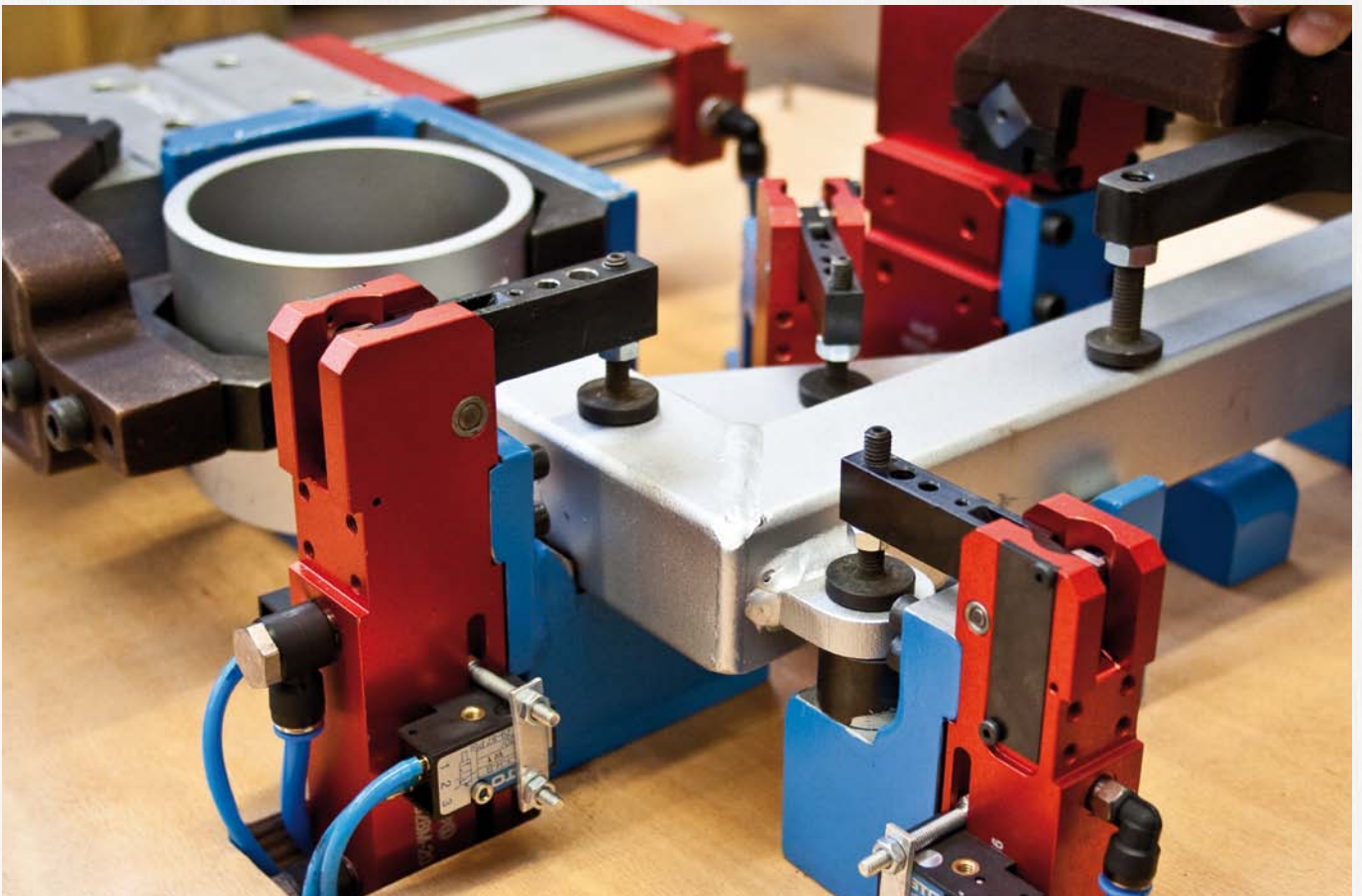
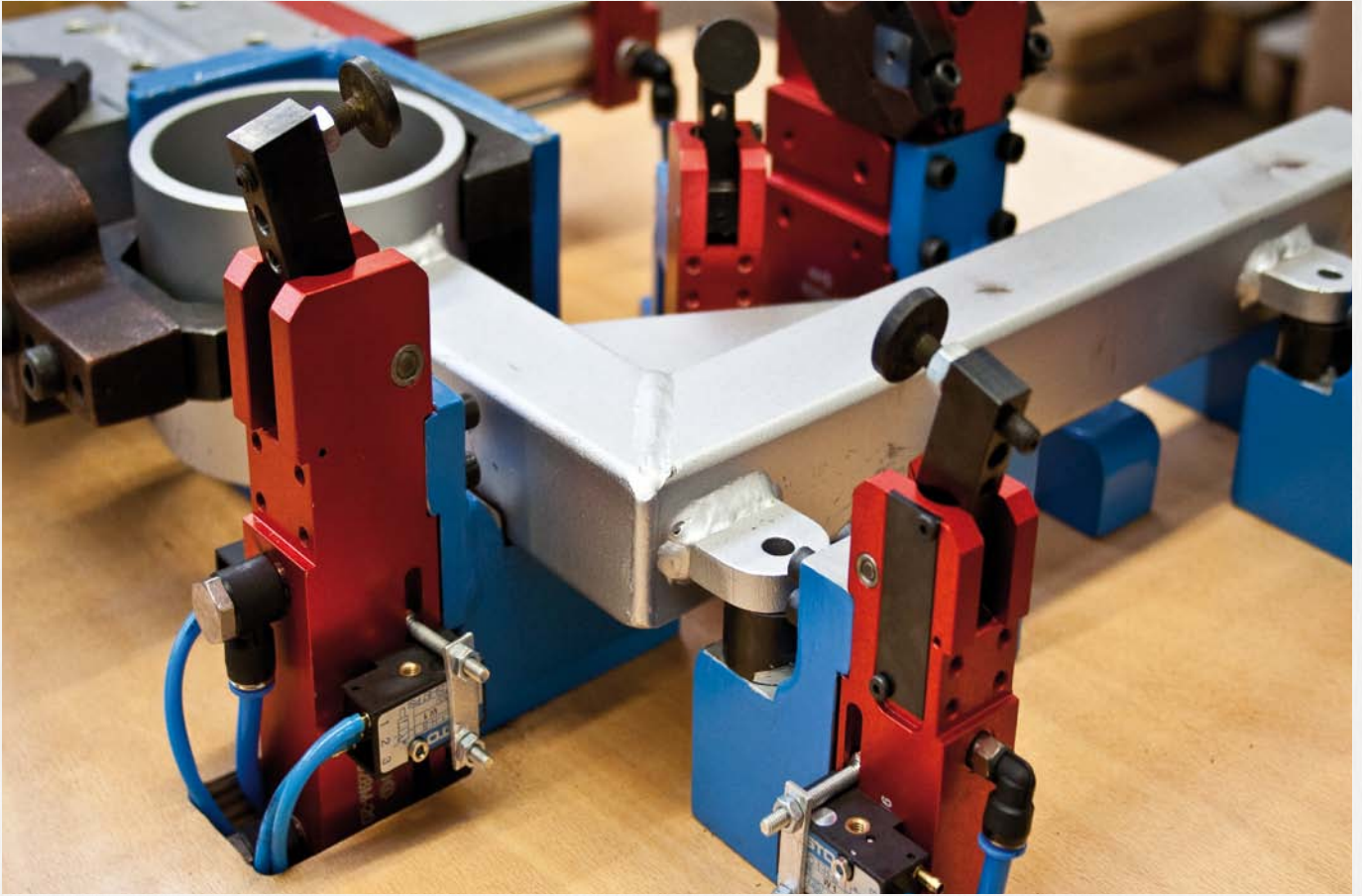


Size 25



Examples of mountings:





Subject to technical alterations.

No. 6828V

Heavy pneumatic toggle clamp

Double-acting.

Max. operating pressure 6 bar.

With continuously adjustable opening angle in the range 10° to 135°. Housing is made of aluminium. Pneumatic end position cushioning, **standard with inductive query 24V** (Pepperl+Fuchs). **Clamp arm not included.**

Accessories (not included in scope of delivery):

- Clamping arm no. 6828SP centre, right and left
- Without connecting plug M12

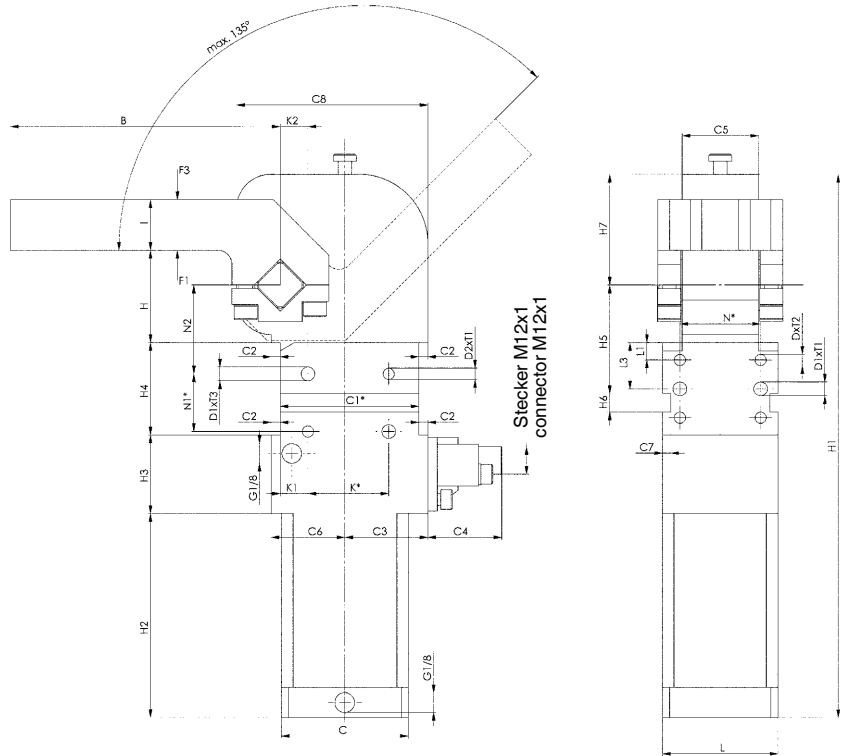


CAD

Order no.	Size	Clamping moment at 5 bar	Holding moment max.	Weight
		[Nm]	[Nm]	[Kg]
91835	40	120	380	1,4

Application:

These pneumatic toggle clamps are suitable for use in material handling lines and special machines. Opening and clamping position of the clamp can be controlled electrically, allowing intergration into automated manufacturing processes.



Recommendations



No. 6828SP,
page 135

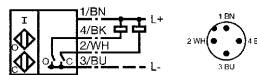


No. 6829V,
page 129



No. 6828V,
page 136

Connection sketch:



O ... open
C ... close

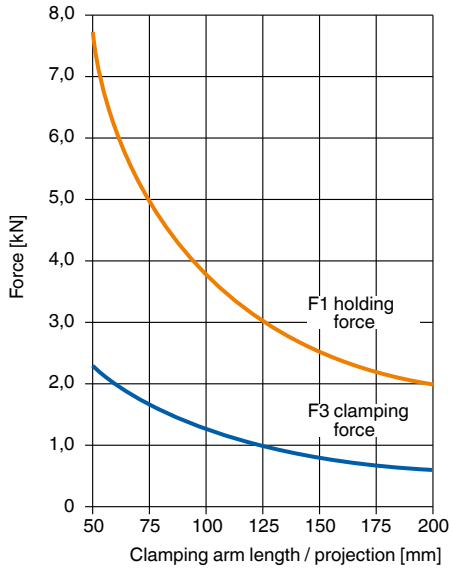
Dimensions:

Order no.	Size	B	C	C1 *	C2	C3	C4	C5-0.5	C6	C7	C8	D	D1 H7	D2	H ±0.2	H1	H2	H3	H4 +0.1	H5
91835	40	117	55	60	4	36	34	33	32	3,5	83	M6	ø 6	M6	40	235,5	113	34	40	25

Order no.	Size	H6 N9	H7	H8	l ±0,1	K*	K1 ±0.05	K2 ±0.05	L	L1 ±0,1	L2*	L3 ±0.05	L4	N*	N1*	N2 ±0.05	S h9	T1	T2	T3	Piston dia.
91835	40	8	48	35	22	35	12	12	50	7,5	25	20	50	35	25	38,5	16	8	12	6	40

* Tolerance for peg holes ±0.02 mm; for threaded holes ±0.1 mm.

Force diagram No. 6828V-40



No. 6828SP

Clamp arm

made of steel, for heavy pneumatic toggle clamp no. 6828V, size 40.

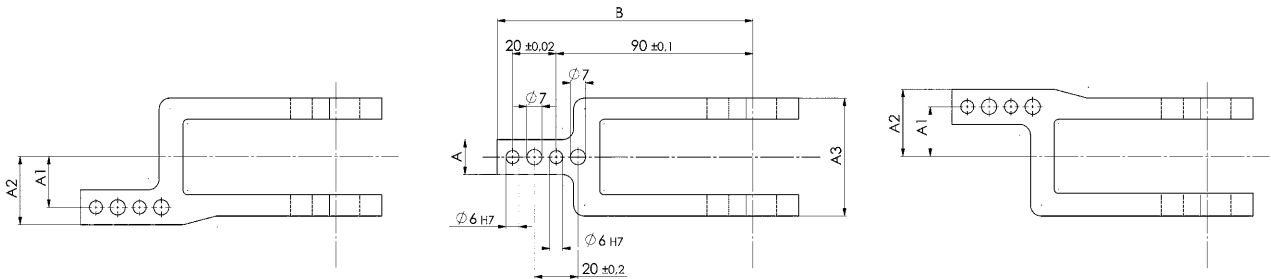


Clamp arm variants:

SPL (Clamp arm left)

SPM (Clamp arm in the middle)

SPR (Clamp arm right)

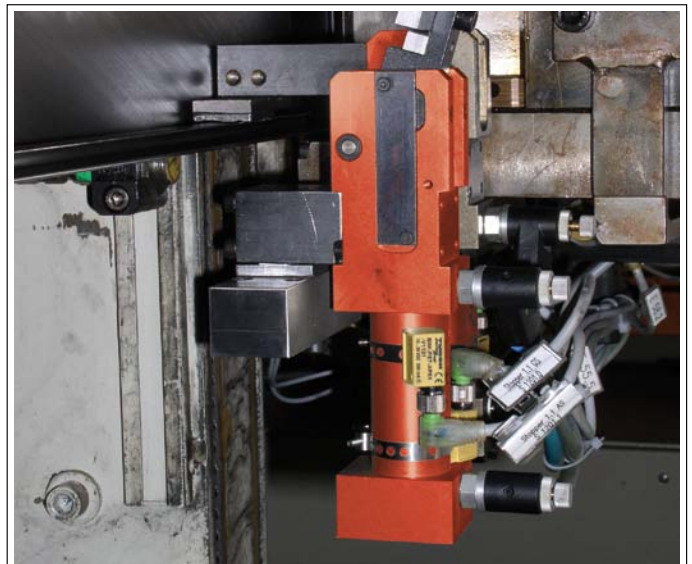


Order no.	Size	Article no.	A -0.1	A1 ±0.1	A2	A3	B	Weight [g]
92080	40	6828SPL-40	16	23	31	54	117	520
91900	40	6828SPM-40	16	23	31	54	117	520
92007	40	6828SPR-40	16	23	31	54	117	520

Recommendations



No. 6828V, page 134



Subject to technical alterations.

No. 6828V

Heavy pneumatic toggle clamp

double-acting.

Max. operating pressure 6 bar.

With continuously adjustable opening angle in the range 5° to 135°. Housing is made of aluminium, red anodised. Pneumatic end position cushioning, **standard with inductive query 24V** (Pepperl+Fuchs). **Clamp arm not included.**

Accessories (not included in pack):

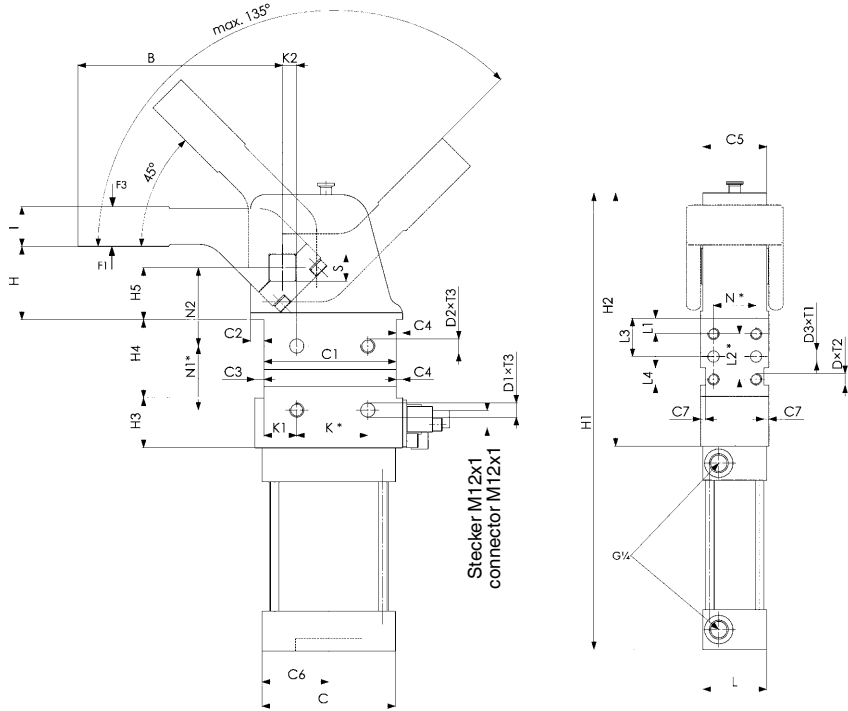
- Clamp arm no. 6828SP in the middle, right and left
- M12 connector plug



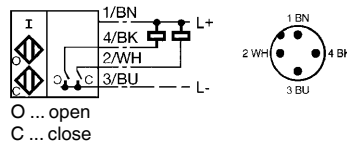
Order no.	Size	Clamping moment at 5 bar	Holding moment max.	Weight [Kg]
		[Nm]	[Nm]	
91850	50	160	800	3,5
91876	63	380	1500	4,6
91892	80	800	2500	15,6

Application:

These pneumatic toggle clamps are suitable for use in material handling lines and special machines. Opening and clamping position of the clamp can be controlled electrically, allowing intergration into automated manufacturing processes.



Connection sketch:



Recommendations



No. 6828SP,
page 137



No. 6828M,
page 130

Dimensions:

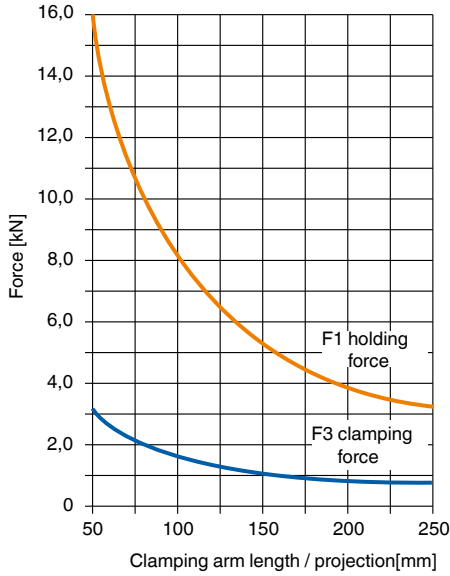
Order no.	Size	B	C	C1 *	C2	C3	C4	C5	C6	C7	C8	C9	C10	D	D1 H7	D2	D3 H7	H ±0.2	H1	H2	H3	H4 +0.1	H5 ±0.05	H6	H7	l ±0.1
91850	50	144	94	93	10,5	6,5	4,5	45	52	3,5	108,0	52	33	M8	10	M10	8	51,5	321	178	35	55	36,5	12	51,5	28
91876	63	144	106	93	12,0	7,5	7,5	52	54	3,5	112,5	54	34	M8	10	M10	8	51,5	335	185	35	55	36,5	12	58,5	28
91892	80	179	140	134	20,0	8,0	8,0	74	81	3,5	162,0	72	33	M10	12	M12	8	70,0	488	270	55	80	50	12	88,0	35

Order no.	Size	K*	K1 ±0.1	K2 ±0.05	L	L1 ±0,1	L2 ±0,1	L3 ±0.05	L4	N*	N1*	N2 ±0.05	S	T1	T2	T3	Piston dia.
91850	50	50	23	10	45	11	32	27	48	30	45	55	19	12	12	12	50
91876	63	50	23	10	52	11	32	27	54	30	45	55	22	12	12	12	63
91892	80	70	36	15	62	15	50	40	76	50	75	65	30	12	15	13	80

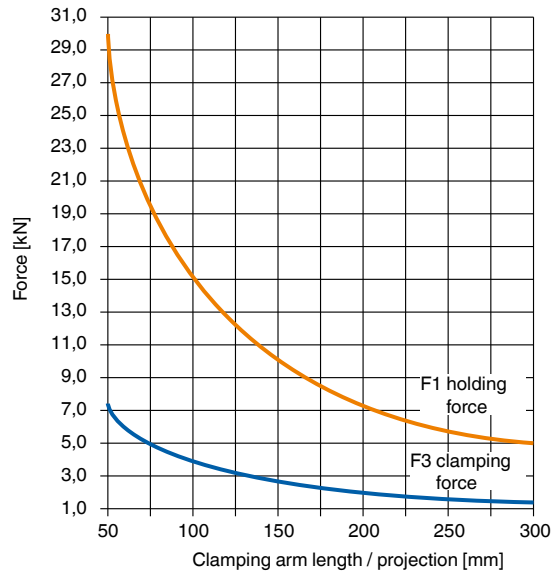
* Tolerance for peg holes ±0.02 mm; for threaded holes ±0.1 mm.

Subject to technical alterations.

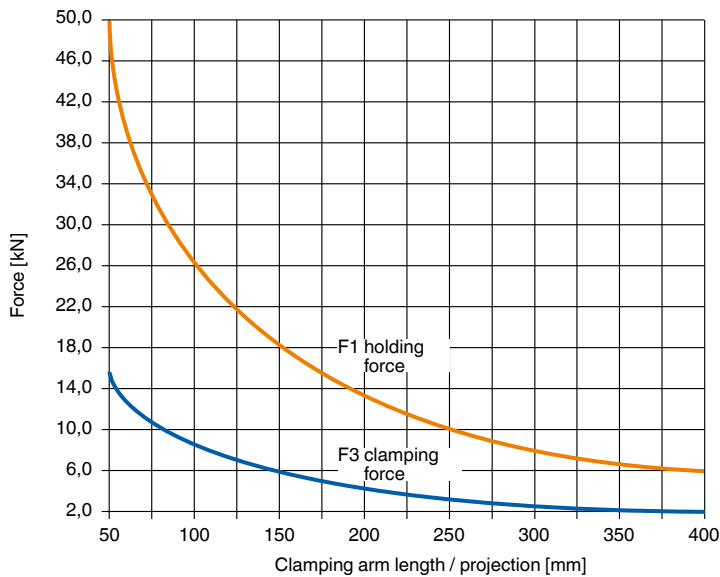
Force diagram No. 6828V-50



No. 6828V-63



No. 6828V-80



No. 6828SP

Clamp arm

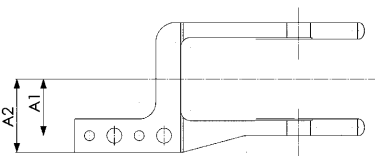
made of steel, for heavy pneumatic toggle clamp no. 6828V, size 50, 63, 80.



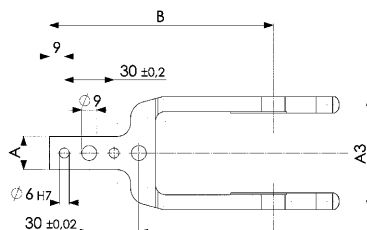
Order no.	Size	Article no.	A -0.1	A1 ±0.1	A2	A3	B	Weight [g]
92072	50	6828SPL-50	20	34,0	44	68	144	855
91959	50	6828SPM-50	20	34,0	44	68	144	855
92056	50	6828SPR-50	20	34,0	44	68	144	855
92130	63	6828SPL-63	20	37,0	47	78	144	1150
92098	63	6828SPM-63	20	37,0	47	78	144	1150
92114	63	6828SPR-63	20	37,0	47	78	144	1150
92395	80	6828SPL-80	25	50,5	63	108	179	1450
92353	80	6828SPM-80	25	50,5	63	108	179	1450
92379	80	6828SPR-80	25	50,5	63	108	179	1450

Clamp arm variants:

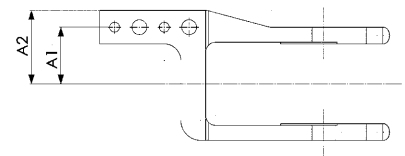
SPL (Clamp arm left)



SPM (Clamp arm in the middle)



SPR (Clamp arm right)



Subject to technical alterations.

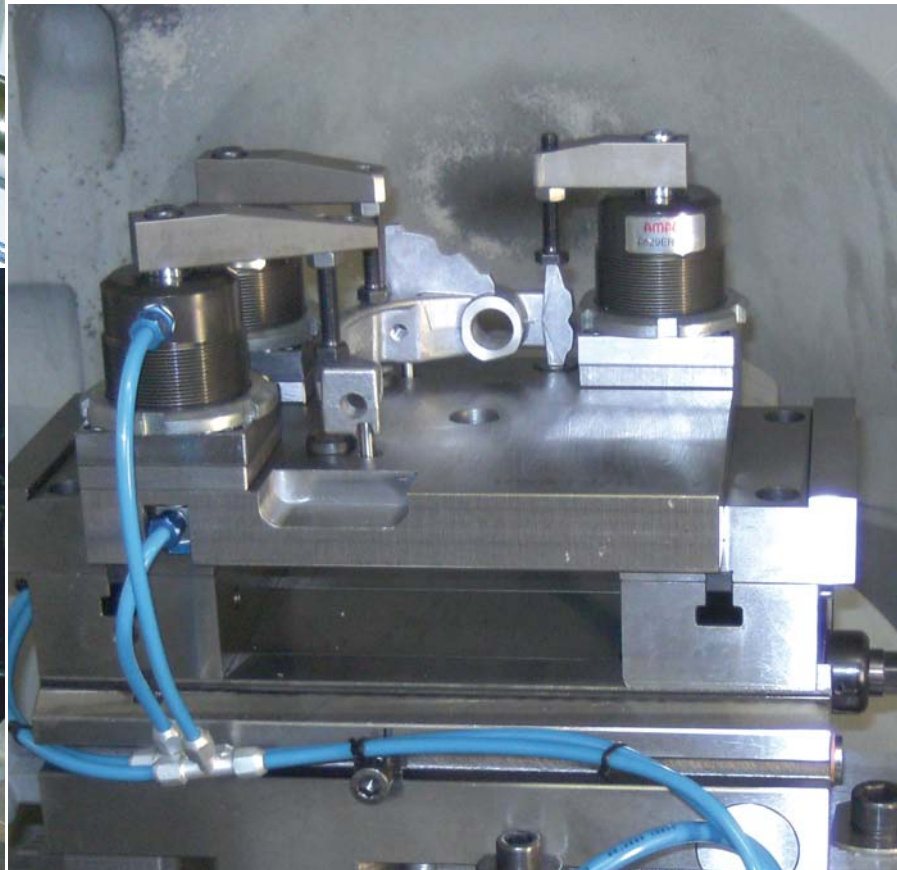
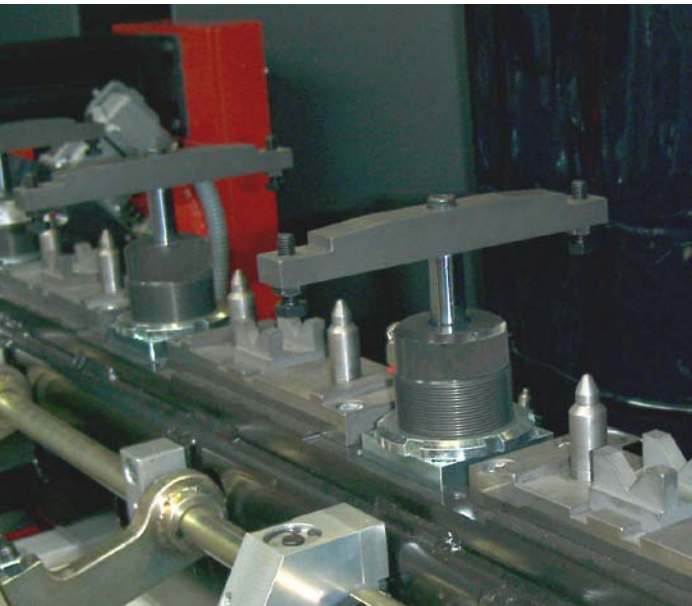
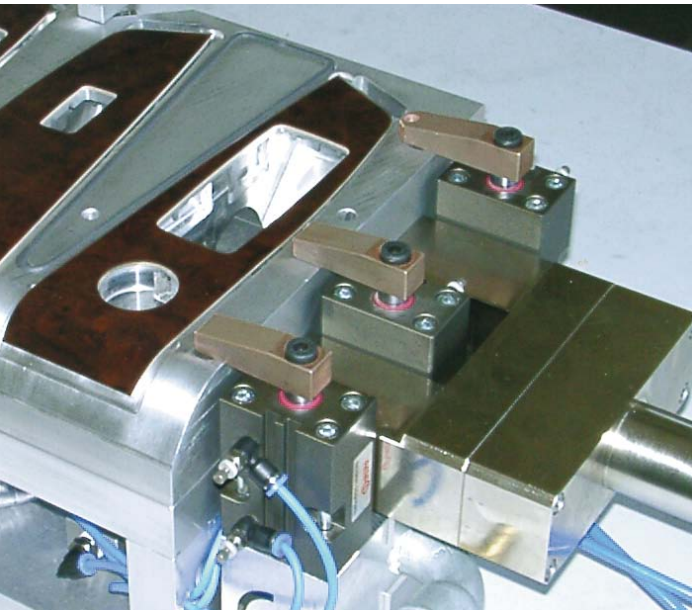
PNEUMATIC SWING CLAMPS

> APPLICATIONS

Pneumatic swing clamps are used where low clamping forces are needed (e.g. for welding), and where workpieces must be easily positioned from above.

> POINTS TO REMEMBER!

The swing action of toggle clamps must not be hindered. They can only clamp on their vertical stroke, not while swinging.



No. 6829KR/KL

Swing clamp, pneumatic, flange-mounting version

double-acting

For recessed installation in fixtures. Both compressed-air connections are in the flange. Piston rod non-rusting, polished. Body is made of aluminium, anodised. HART-COAT® surface for wear-resistance. Including screw and spring washer for simple setting of the clamp arm position.

Mounting:

- from above with cap screws through the flange
- from below in a bore in the fixture using grooved nuts and clamping against the flange
- from above with grooved nuts against the fixture

Accessories (not included in pack):

- Clamping arm 6829SP
- Grooved nut 6829N
- Clamping screw 6880

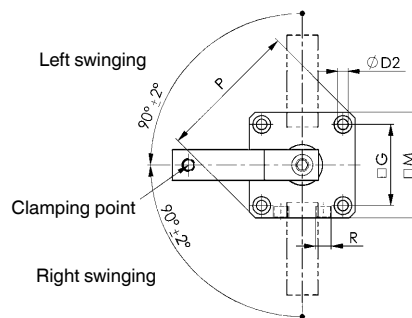
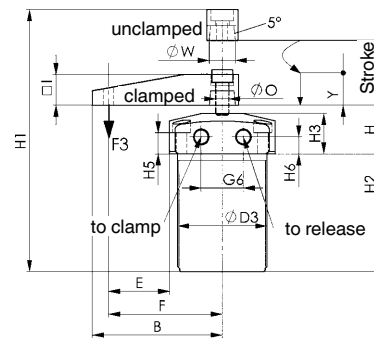


Order no.	Size	right swinging	left swinging	F3 [kN]	Connecting thread for clamping screws	Weight [g]
93484	25	●	-	0,17	M 6	500
93559	25	-	●	0,17	M 6	500
93492	32	●	-	0,27	M 8	650
93567	32	-	●	0,27	M 8	650
93500	40	●	-	0,45	M 8	800
93575	40	-	●	0,45	M 8	800
93518	50	●	-	0,70	M12	920
93583	50	-	●	0,70	M12	920
93526	63	●	-	1,10	M12	1080
93591	63	-	●	1,10	M12	1080

F3 = at 6 bar max. air pressure

Note:

The mounting holes in the flange are the same as in threaded flange no. 6828GF. Operate only with lubricated air.



Recommendations



No. 6829SP, page 143

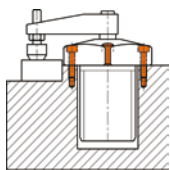


No. 6829N, page 144

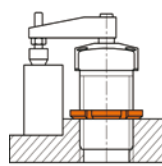


No. 6829GF, page 144

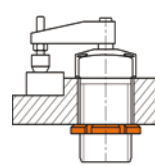
Examples of mountings:



with 4 cap screws from above



with grooved nut from above



with grooved nut from below

Dimensions:

Order no.	Size	dia. D2	dia. D3	E	F	G	G6	H	H1	H2	H3	H5	H6	I	M	dia. O	P	R	dia. W	Piston dia.	Y Clamping stroke*	Stroke
93484	25	5,5	M40x1,5	25,0	50	37	23	30	135	62	25	15	11,5	16,0	50	M 8	66	M 5	14	25	13	26
93559	25	5,5	M40x1,5	25,0	50	37	23	30	135	62	25	15	11,5	16,0	50	M 8	66	M 5	14	25	13	26
93492	32	6,5	M50x1,5	30,0	60	45	23	30	152	73	25	13	10,5	19,0	60	M 8	80	G1/8	16	32	14	28
93567	32	6,5	M50x1,5	30,0	60	45	23	30	152	73	25	13	10,5	19,0	60	M 8	80	G1/8	16	32	14	28
93500	40	6,5	M55x1,5	37,5	70	50	26	30	152	73	25	13	10,5	19,0	65	M 8	87	G1/8	16	40	16	30
93575	40	6,5	M55x1,5	37,5	70	50	26	30	152	73	25	13	10,5	19,0	65	M 8	87	G1/8	16	40	16	30
93518	50	8,5	M65x1,5	42,5	80	58	32	30	164	80	25	11	10,5	25,5	75	M10	100	G1/8	20	50	16	32
93583	50	8,5	M65x1,5	42,5	80	58	32	30	164	80	25	11	10,5	25,5	75	M10	100	G1/8	20	50	16	32
93526	63	8,5	M80x1,5	45,0	90	70	35	30	164	80	25	11	10,5	25,5	90	M10	118	G1/8	20	63	14	30
93591	63	8,5	M80x1,5	45,0	90	70	35	30	164	80	25	11	10,5	25,5	90	M10	118	G1/8	20	63	14	30

Subject to technical alterations.

No. 6829BR/BL

Swing clamp, pneumatic, block version

double-acting

Piston rod non-rusting, polished. Body is made of aluminium, anodised. HART-COAT® surface for wear-resistance. **Magnetic piston to signal end positions.** Including screw and spring washer for simple setting of the clamp arm position.

Mounting:

- on front or rear faces, using through holes
- from above with long socket bolts ISO 4762 (DIN 912)
- from below using tapped holes in base

Accessories (not included in pack):

- Clamping arm 6829SP
- Clamping screw 6880

Order no.	Size	right swinging	left swinging	F3 [kN]	Connecting thread for clamping screws	Weight [g]
91496	12	●	-	0,03	M 4	200
91397	12	-	●	0,03	M 4	200
91504	16	●	-	0,06	M 4	300
91405	16	-	●	0,06	M 4	300
91512	20	●	-	0,08	M 6	400
91413	20	-	●	0,08	M 6	400
91520	25	●	-	0,17	M 6	600
91421	25	-	●	0,17	M 6	600
91538	32	●	-	0,27	M 8	800
91439	32	-	●	0,27	M 8	800
91546	40	●	-	0,45	M 8	920
91447	40	-	●	0,45	M 8	920
91553	50	●	-	0,70	M12	1000
91454	50	-	●	0,70	M12	1000
91561	63	●	-	1,10	M12	1150
91462	63	-	●	1,10	M12	1150

F3 = at 6 bar max. air pressure

Note:

Suitable proximity switches for end-position monitoring are available using order no. 392241. Design: PUR cable 0,3 m with M8 plug connection and rotating knurled nuts. Switching function: NOC. Output: PNP. Operate only with lubricated air.



Recommendations



No. 6880,
page 149

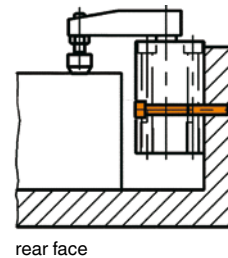
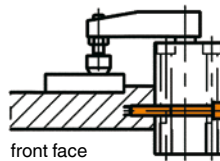
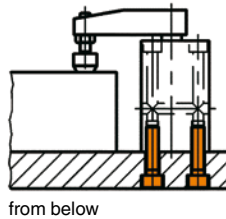
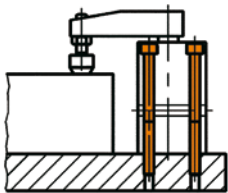


No. 6829SP,
page 143



No. 6829ER/EL,
page 142

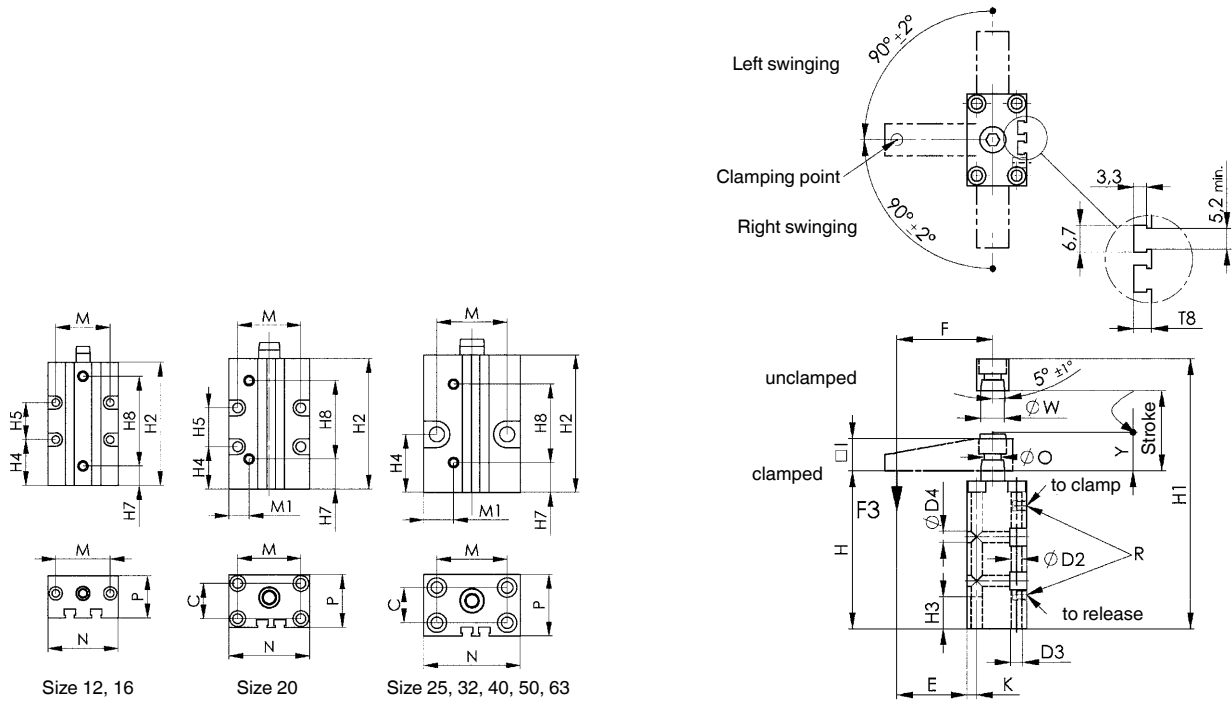
Examples of mountings:



CAD



Subject to technical alterations.



Dimensions:

Order no.	Size	C	dia. D2	D3	dia. D4	E	F	H	H1	H2	H3	H4	H5	H7	H8
91496	12	-	4,3	M 5	4,3	25,0	35	76	105	70	15	26	21	11	51,0
91397	12	-	4,3	M 5	4,3	25,0	35	76	105	70	15	26	21	11	51,0
91504	16	-	4,3	M 5	4,3	30,0	41	76	105	70	15	26	21	11	51,0
91405	16	-	4,3	M 5	4,3	30,0	41	76	105	70	15	26	21	11	51,0
91512	20	20	5,5	M 6	5,5	35,0	48	80	125	74	20	24	22	17	44,5
91413	20	20	5,5	M 6	5,5	35,0	48	80	125	74	20	24	22	17	44,5
91520	25	20	6,5	M 8	8,5	35,0	50	83	125	78	20	32	-	17	44,5
91421	25	20	6,5	M 8	8,5	35,0	50	83	125	78	20	32	-	17	44,5
91538	32	30	6,5	M 8	8,5	40,0	60	96	145	90	20	43	-	22	50,0
91439	32	30	6,5	M 8	8,5	40,0	60	96	145	90	20	43	-	22	50,0
91546	40	37	8,5	M10	8,5	45,5	70	96	145	90	25	40	-	20	52,0
91447	40	37	8,5	M10	8,5	45,5	70	96	145	90	25	40	-	20	52,0
91553	50	46	8,5	M10	10,5	49,0	80	106	162	100	30	45	-	25	53,5
91454	50	46	8,5	M10	10,5	49,0	80	106	162	100	30	45	-	25	53,5
91561	63	60	10,5	M12	10,5	52,5	90	106	162	100	30	36	-	28	53,0
91462	63	60	10,5	M12	10,5	52,5	90	106	162	100	30	36	-	28	53,0

Order no.	Size	I	K	M	M1	N	dia. O	P	R	T8	dia. W	Piston dia.	Y Clamping stroke*	Stroke
91496	12	12	10,0	31	20,0	40	M 5	24	M 5	5,0	8	12	8,5	17,5
91397	12	12	10,0	31	20,0	40	M 5	24	M 5	5,0	8	12	8,5	17,5
91504	16	12	13,0	31	21,0	42	M 5	28	M 5	4,5	8	16	8,5	17,5
91405	16	12	13,0	31	21,0	42	M 5	28	M 5	4,5	8	16	8,5	17,5
91512	20	16	5,0	36	11,5	46	M 8	30	M 5	4,5	12	20	14,0	27,0
91413	20	16	5,0	36	11,5	46	M 8	30	M 5	4,5	12	20	14,0	27,0
91520	25	16	7,5	40	17,0	55	M 8	35	M 5	5,0	14	25	14,0	27,0
91421	25	16	7,5	40	17,0	55	M 8	35	M 5	5,0	14	25	14,0	27,0
91538	32	19	7,5	45	18,0	60	M 8	45	G1/8	6,5	16	32	15,5	30,0
91439	32	19	7,5	45	18,0	60	M 8	45	G1/8	6,5	16	32	15,5	30,0
91546	40	19	9,0	52	22,0	70	M 8	55	G1/8	8,0	16	40	15,5	30,0
91447	40	19	9,0	52	22,0	70	M 8	55	G1/8	8,0	16	40	15,5	30,0
91553	50	25	9,5	66	25,0	85	M10	65	G1/8	6,5	20	50	15,0	31,0
91454	50	25	9,5	66	25,0	85	M10	65	G1/8	6,5	20	50	15,0	31,0
91561	63	25	10,0	80	30,0	100	M10	80	G1/8	8,5	20	63	15,0	31,0
91462	63	25	10,0	80	30,0	100	M10	80	G1/8	8,5	20	63	15,0	31,0

* Swing clamps may only be loaded during the clamping stroke Y.

No. 6829ER/EL

Swing clamp, pneumatic, screw-in version

double-acting

Piston rod non-rusting, polished. Body is made of aluminium, anodised. HART-COAT® surface for wear-resistance. Including screw and spring washer for simple setting of the clamp arm position.

Mounting:

- with grooved nut 6829N (DIN 70852)
- with threaded flange 6829GF

Accessories (not included in pack):

- Clamping arm 6829SP
- Grooved nut 6829N
- Thread flange 6829GF
- Clamping screw 6880

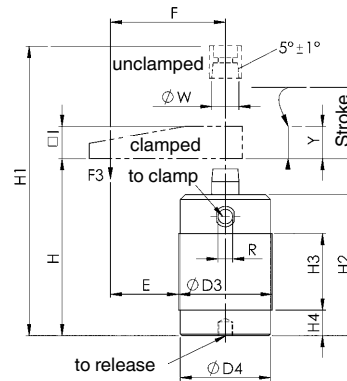
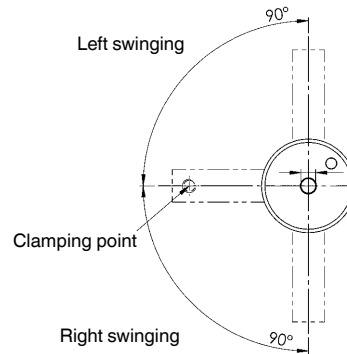


Order no.	Size	right swinging	left swinging	F3 [kN]	Connecting thread for clamping screws	Weight [g]
92809	25	●	-	0,17	M 6	450
92858	25	-	●	0,17	M 6	450
92817	32	●	-	0,27	M 8	550
92866	32	-	●	0,27	M 8	550
92825	40	●	-	0,45	M 8	700
92874	40	-	●	0,45	M 8	700
92833	50	●	-	0,70	M12	850
92882	50	-	●	0,70	M12	850
92841	63	●	-	1,10	M12	1000
92890	63	-	●	1,10	M12	1000

F3 = at 6 bar max. air pressure

Note:

Operate only with lubricated air.



Recommendations



No. 6829SP,
page 143



No. 6829N,
page 144



No. 6829GF,
page 144

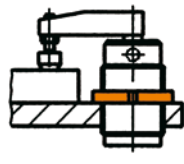
Dimensions:

Order no.	Size	D3	dia. D4	E	F	H	H1	H2	H3	H4	I	dia. M	O	R	dia. W	Piston dia.	Y Clamping stroke*	Stroke
92809	25	M40x1,5	38	30,0	50	73	118	70	35	10	16,0	M 6	M 8	M 5	14	25	13,0	26,0
92858	25	M40x1,5	38	30,0	50	73	118	70	35	10	16,0	M 6	M 8	M 5	14	25	13,0	26,0
92817	32	M50x1,5	48	35,0	60	83	132	79	40	15	19,0	M 8	M 8	G1/8	16	32	15,5	29,5
92866	32	M50x1,5	48	35,0	60	83	132	79	40	15	19,0	M 8	M 8	G1/8	16	32	15,5	29,5
92825	40	M55x1,5	53	42,5	70	87	136	83	45	15	19,0	M 8	M 8	G1/8	16	40	16,5	30,5
92874	40	M55x1,5	53	42,5	70	87	136	83	45	15	19,0	M 8	M 8	G1/8	16	40	16,5	30,5
92833	50	M65x1,5	62	47,5	80	92	148	87	50	15	25,5	M12	M10	G1/8	20	50	14,0	30,0
92882	50	M65x1,5	62	47,5	80	92	148	87	50	15	25,5	M12	M10	G1/8	20	50	14,0	30,0
92841	63	M80x1,5	77	50,0	90	98	153	92	56	15	25,5	M12	M10	G1/8	20	63	13,5	29,5
92890	63	M80x1,5	77	50,0	90	98	153	92	56	15	25,5	M12	M10	G1/8	20	63	13,5	29,5

Examples of mountings:



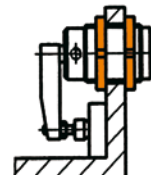
with grooved nut from below



with grooved nut from above



with threaded flange
and grooved nut



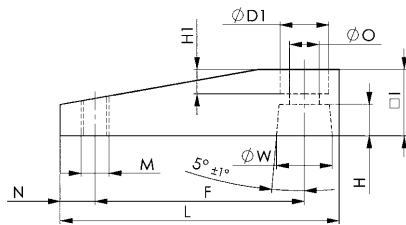
with two grooved nuts

Subject to technical alterations.

No. 6829SP

Clamping arm

High-strength aluminium alloy. HART-COAT® surface for wear-resistance and reduced adhesion of weld spatter. With thread for clamping screw No. 6880.



Order no.	Size	dia. D1	F	H	H1	I	L	M	N	dia. O	dia. W	Weight [g]
92486	12	9	35	5,0	5,0	12	45	M4	4	5,5	8	13
92494	16	9	41	5,0	4,0	12	51	M4	4	5,5	8	15
92502	20	14	48	5,5	7,5	16	64	M6	6	8,5	12	31
93674	25	14	50	6,5	6,0	16	66	M6	6	8,5	14	32
93682	32	14	60	9,0	7,0	19	80	M8	10	8,5	16	55
93690	40	14	70	9,0	7,0	19	90	M8	10	8,5	16	65
93708	50	17	80	10,0	9,0	25	105	M12	10	10,5	20	132
93716	63	17	90	10,0	9,0	25	115	M12	10	10,5	20	149

Note:

Fitting clamping arm:

- 1) Set up clamping arm with spring washer and screw without play.
- 2) Turn clamping arm into position.
- 3) Hold clamping arm fixed with wrench and tighten screw.

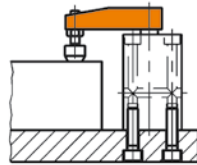
Clamping arm removal:

- 1) Hold clamping arm fixed with wrench and loosen screw.
 - 2) With light blows from below (plastic hammer), separate clamping arm from the piston rod.
- Caution! No side blows permitted!



Application example:

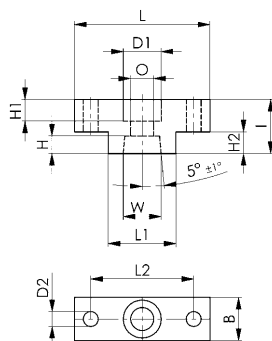
Clamping arm with clamping screw no. 6880.



No. 6829AD

Adapter

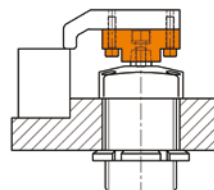
for mounting special clamping arms, with taper bore and mounting holes for arm. High-strength aluminium alloy. HART-COAT® surface for wear-resistance and reduced adhesion of weld spatter.



Order no.	Size	B	D1	D2	H	H1	H2	I	L	L1	L2	O	W	Weight [g]
92403	12/16	12	10	4,5	5,0	7,0	6	14	30	13	22	5,5	8	8
92411	20	16	14	5,5	5,5	10,5	8	20	40	18	30	8,5	12	20
92429	25	16	14	5,5	6,5	8,0	8	20	50	25	38	8,5	14	28
92437	32/40	19	14	7,0	9,0	11,0	10	25	60	30	45	8,5	16	50
92452	50/63	25	17	9,0	10,0	14,0	12	30	65	30	48	10,5	20	80

Application example:

Adapter in use as a connecting element between an individual clamping arm and the piston rod of a pneumatic swing clamp no. 6829.



No. 6829N

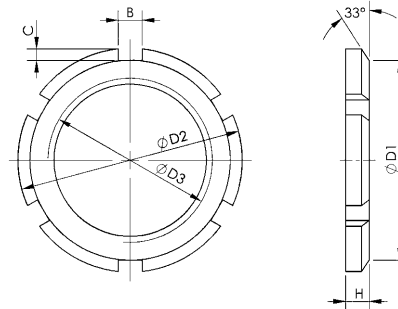
Grooved nut (DIN 70852)

Steel, galvanized.
Use hook spanner for tightening (see AMF catalogue „Hand Tools“).

Order no.	Size	B	C	dia. D1	dia. D2	dia. D3	H	Weight [g]
92924	25	7	3,3	49	56	M40x1,5	8	63
92932	32	8	3,8	60	68	M50x1,5	8	84
92940	40	8	3,8	67	75	M55x1,5	8	106
92957	50	11	4,3	76	85	M65x1,5	9	132
92973	63	11	4,3	91	100	M80x1,5	10	180

Application example:

Grooved nut from above for locking swing clamp in a fixture.



No. 6829GF

Threaded flange

Steel, zinc-plated.
With four counterbored mounting holes. Female screw-in thread for swing clamp. Use grooved nut to lock in desired.

Order no.	Size	C	dia. D1	dia. D2	dia. D3	H	H1	L	Weight [g]
93062	25	37	9	5,5	M40x1,5	9	6	50	80
93070	32	45	11	6,5	M50x1,5	12	7	60	100
93088	40	50	11	6,5	M55x1,5	12	7	65	120
93096	50	58	13	8,5	M65x1,5	15	9	75	150
93104	63	70	13	8,5	M80x1,5	15	9	88	200

Advantage:

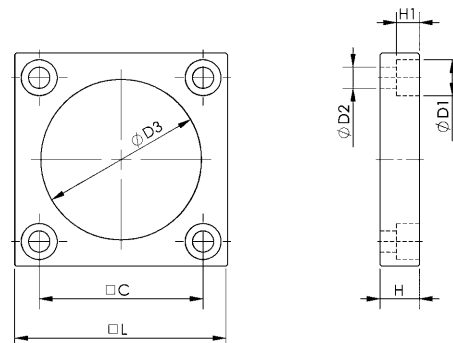
Avoids cutting a large thread in the fixture.

Note:

The mounting holes in the flange are the same as in pneumatic clamp flange no. 6829K and 6829V.

Application example:

Swing clamp screwed into threaded flange.



No. 6829W

Swing Clamp with welding protection, pneumatic

double acting

Piston rod non-rusting, polished and protected against weld spatter. Body, welding protection and clamping arm made of aluminium. HART-COAT® surface for wear-resistance. **Magnetic piston for end-position monitoring.**
Clamp arm not included.

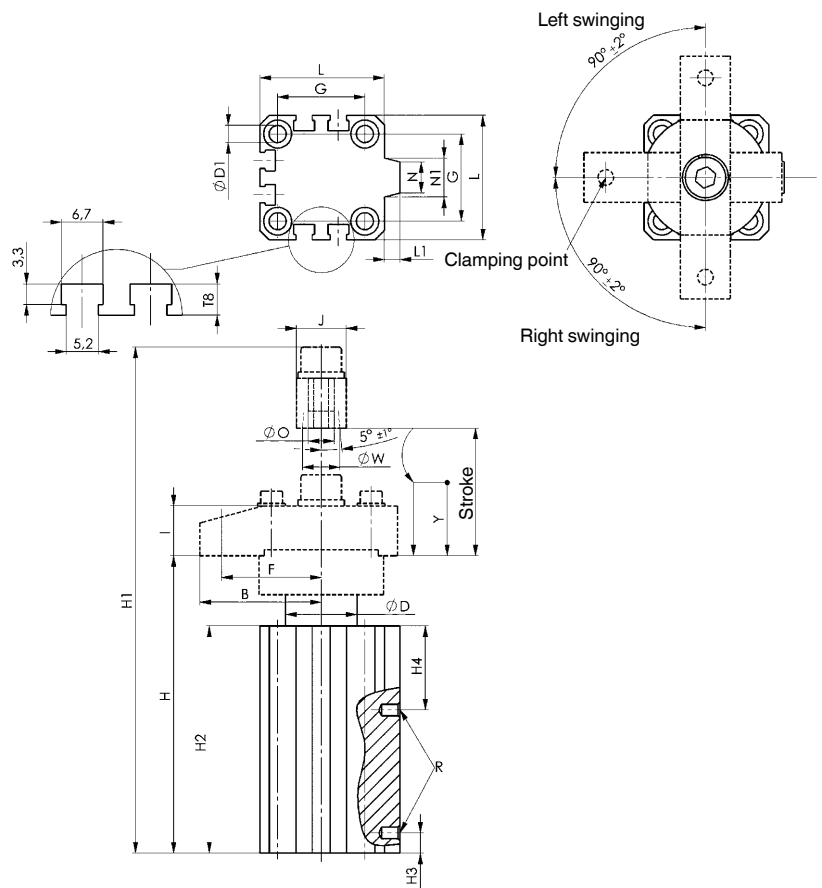
Accessories (not included in pack):

- Welding protection no. 6829WS
- Clamping arm no. 6829WSP

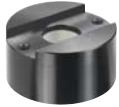
Order no.	Size	right swinging	left swinging	F3	Weight
				[kN]	[g]
91579	25	●	-	0,2	326
92361	25	-	●	0,2	326
91595	32	●	-	0,3	537
92387	32	-	●	0,3	537
91611	40	●	-	0,6	680
92445	40	-	●	0,6	680
91637	50	●	-	0,9	1160
92460	50	-	●	0,9	1160
91652	63	●	-	1,4	1520
92478	63	-	●	1,4	1520

Note:

Suitable proximity switches for end-position monitoring are available using order no. 392241.
 Design: PUR cable 0.3 m with M8 plug connection and rotating knurled nuts.
 Switching function: NOC. Output: PNP.
 Operate only with lubricated air.



Recommendations



No. 6829WS,
page 146



No. 6829WSP,
page 146

Dimensions:

Order no.	Size	dia. D	dia. D1	F	G	H	H1	H2	H3	H4	I	J	L	L1	N	N1	dia. O	R	dia. W	Piston dia.	Y Clamping stroke*	Stroke
91579	25	23	5,5	32,0	29	95,5	139,0	73,0	6,5	27,0	14	16	40	5,0	10,0	12,5	8,3	M5	12	25	10	19,5
92361	25	23	5,5	32,0	29	95,5	139,0	73,0	6,5	27,0	14	16	40	5,0	10,0	12,5	8,3	M5	12	25	10	19,5
91595	32	30	5,5	45,0	34	113,0	168,0	80,0	9,0	34,5	18	22	45	4,5	14,5	16,5	10,5	G1/8	16	32	10	25,0
92387	32	30	5,5	45,0	34	113,0	168,0	80,0	9,0	34,5	18	22	45	4,5	14,5	16,5	10,5	G1/8	16	32	10	25,0
91611	40	30	5,5	45,0	40	114,0	173,0	80,0	9,0	34,5	22	22	52	5,0	17,5	22,0	10,5	G1/8	16	40	10	25,0
92445	40	30	5,5	45,0	40	114,0	173,0	80,0	9,0	34,5	22	22	52	5,0	17,5	22,0	10,5	G1/8	16	40	10	25,0
91637	50	37	6,6	65,0	50	149,4	227,9	101,5	11,0	39,0	25	25	64	6,0	20,0	23,0	12,5	G1/4	20	50	20	39,0
92460	50	37	6,6	65,0	50	149,4	227,9	101,5	11,0	39,0	25	25	64	6,0	20,0	23,0	12,5	G1/4	20	50	20	39,0
91652	63	47	6,6	72,5	60	152,9	231,4	104,0	9,0	35,0	25	25	77	7,0	28,0	33,0	12,5	G1/4	20	63	20	39,0
92478	63	47	6,6	72,5	60	152,9	231,4	104,0	9,0	35,0	25	25	77	7,0	28,0	33,0	12,5	G1/4	20	63	20	39,0

* Swing clamps may only be loaded during the clamping stroke Y.



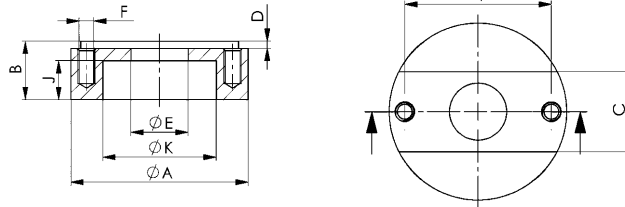
No. 6829WS

Welding protection

for piston rod
for swing clamp with welding protection no. 6829W for protection of the piston rod against weld spatter. High-strength aluminium alloy, anodised.



Order no.	Size	dia. A	B	C	D	dia. E	F	I	J	dia. K	Weight [g]
91645	25	40	14,5	16,4	2,0	12,1	M4	32,0	10,5	25	32
91660	32	50	16,5	22,6	3,0	16,1	M5	41,3	11,0	32	55
91686	40	50	17,9	22,6	3,8	16,1	M6	41,4	11,0	32	58
91702	50	59	33,0	25,8	5,1	20,1	M6	46,5	25,0	39	122
91793	63	69	33,0	25,8	5,1	20,1	M6	59,5	25,0	50	160



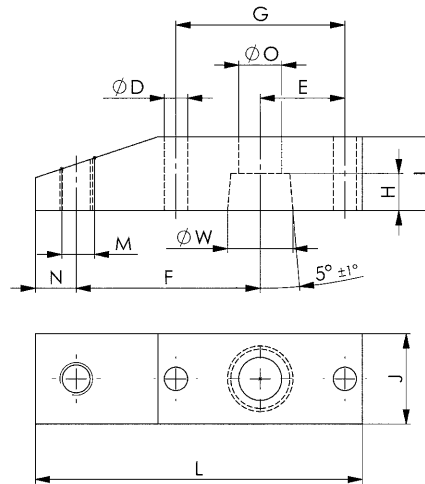
No. 6829WSP

Clamp arm

for swing clamp with welding protection no. 6829W.
High-strength aluminium alloy, black. HART-COAT® surface for wear-resistance and reduced adhesion of weld spatter. Ready for mounting, with connection thread for clamping screw no. 6880.



Order no.	Size	dia. D	E	F	G	H	I	J	L	M	N	dia. O	dia. W	Weight [g]
91678	25	4,8	16,00	32,0	32,0	5,5	14	16	63,5	M6	7	8,3	12	36
91694	32	5,7	20,70	45,0	41,3	9,0	18	22	80,0	M8	10	10,5	16	83
91751	40	6,4	20,70	45,0	41,4	9,0	22	22	82,0	M8	10	10,5	16	84
91603	50	6,4	23,25	65,0	46,5	12,0	25	25	105,0	M10	10	12,5	20	144
91629	63	6,4	29,75	72,5	59,5	12,0	25	25	120,0	M10	10	12,5	20	168



No. 6897S

Sensor monitor

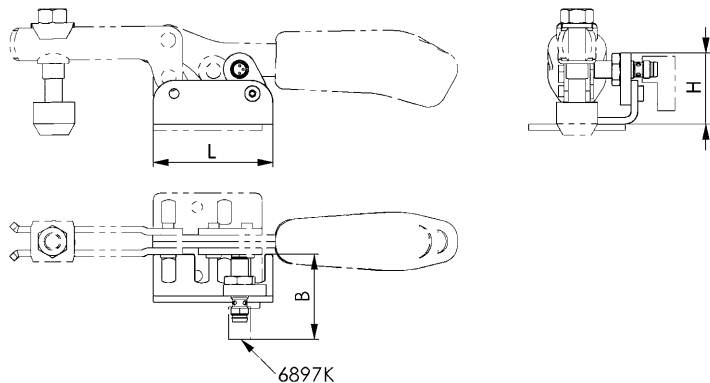
for manual clamps.
For monitoring the closed position of the toggle clamp. Complete with inductive sensor M8x1 for ambient temperatures from 0° to 60° C. Matching plug connection no. 6897K.



Order no.	Size	L x W x H	Weight [g]
90597	3	55 x 40 x 35	60

Note:

Sensor monitor size 3 can be used on both sides for horizontal toggle clamp no. 6830-3, 6834-3 and 6830B-3, only on one side for horizontal toggle clamp with safety latch no. 6830S-3.



Subject to technical alterations.

No. 6897K

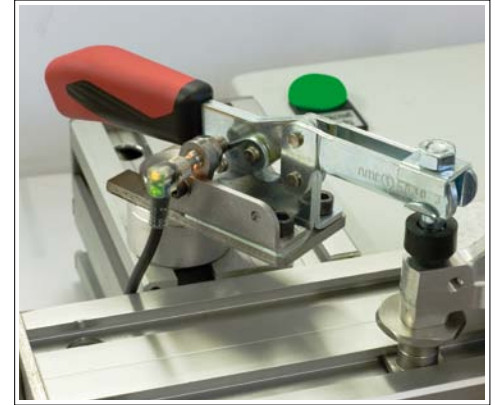
Plug connection for sensor monitor

for sensor monitor no. 6897S.
Angled plug connection, cable permanently injection-moulded on.

Order no.	Size	Cable length		Weight [g]
		[m]		
90613	1	2		75
90639	2	5		150

Note:

IP68 acc. to IEC 529, silicone-free, halogen-free, gold-plated contacts.



No. 6898V

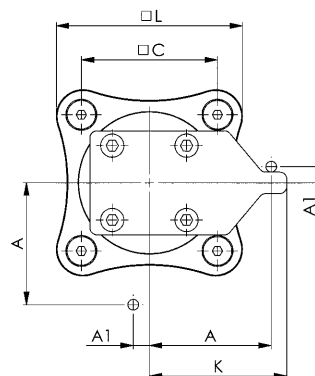
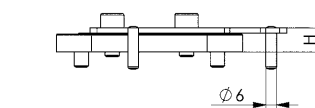
Rotatable base unit

incl. stop pin for limiting the opening position of 90°

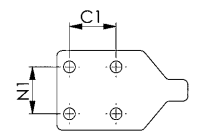
Order no.	Size	Weight [g]
555183	2	915
555184	3	430
555185	4	922

Note:

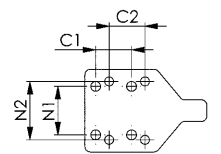
Order no. 555182 for toggle clamp 6830 Size 2 and 3
Order no. 555183 for toggle clamp 6830 Size 4 and 5
Order no. 555184 for toggle clamp 6800 Size 2 and 3
Order no. 555185 for toggle clamp 6800 Size 4 and 5



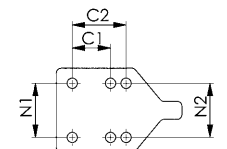
Size 1, 2



Size 3



Size 4



Dimensions:

Order no.	Size	A	A1	C	C1	C2	H	K	L	N1	N2
555182	1	41	9,0	54	26,0	-	11,4	47,0	76	26,0	-
555183	2	68	9,0	76	41,5	-	13,4	77,0	104	41,5	-
555184	3	41	9,0	54	20,0	20	11,4	45,0	76	27,0	32,5
555185	4	59	10,5	76	32,0	45	13,4	69,2	104	45,0	45,0

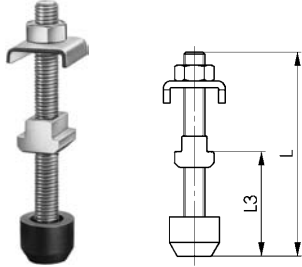
Subject to technical alterations.



No. 6890

Clamping screw

for open clamping arms, tempered, tensile strength class 8.8, galvanized and passivated, with removable rubber nose. Sizes 0-3 with washer/nut-element. Sizes 4-7 with nut.

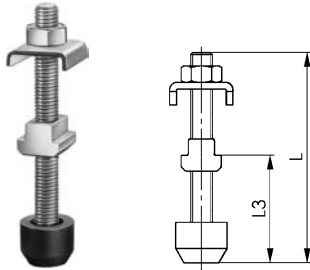


Order no.	Size	Screw DIN 933	T-Nut DIN 508	Washer size	L	L3	Weight [g]
99002	0	M 4x 25	-	0	32	13-20	5
99010	1	M 5x 30	-	1	38	17-24	10
99028	2	M 6x 35	-	2	45	19-28	22
99077	2	M 6x 50	-	2	60	19-43	30
99036	3	M 8x 45	-	3	58	22-34	40
99044	4	M 8x 65	M 8x10	4	78	21-50	62
99051	5	M 8x 65	M 8x10	5	78	21-45	62
99085	6	M12x 80	M12x14	6	97	28-58	160
99069	7	M12x110	M12x14	6	127	28-88	180

No. 6890NI

Clamping screw

for open clamping arms, stainless steel. Size 4 with 2 washers.

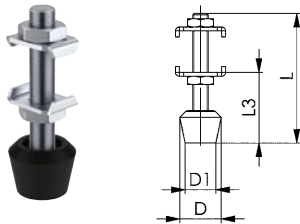


Order no.	Size	Screw DIN 933	Washer size	L	L3	Weight [g]
96040	0	M4x25	0	32	13-20	5
96057	1	M5x30	1	38	17-24	10
96065	2	M6x35	2	45	19-28	22
96073	3	M8x45	3	58	22-34	40
96081	4	M8x65	4	78	21-50	60

No. 68301

Clamping screw

For horizontal acting toggle clamp plus. complete with U-washers, hex nuts and screw with bonded pressure pad, made of oil-resistant neoprene to prevent damage to delicate workpieces. Hardness 85 Shore A, LABS-free (silicone-free). Strength class 8.8.

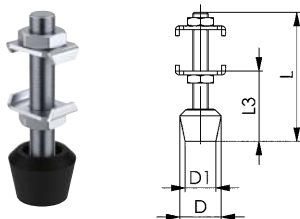


Order no.	Size	M x L	D	D1	L3	Weight [g]
552698	1	M5 x 35	11	10	9 - 18	15
551718	2	M6 x 50	16	12	17 - 29	20
551719	3	M8 x 58	21	16	21 - 34	36
551720	4	M10 x 76	26	20	28 - 44	95

No. 68301NI

Clamping screw

for horizontal toggle clamp plus, stainless steel.



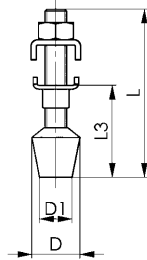
Order no.	Size	M x L	D	D1	L3	Weight [g]
555177	2	M6 x 50	16	12	17 - 29	20
555178	4	M10 x 76	26	20	28 - 44	95

Subject to technical alterations.

No. 6890B

Clamping screw, black

for open clamping arms, matte-black galvanized, complete with washer, nut element, washer, hex nut and screw with bonded pressure pad, made of oil-resistant neoprene to prevent damage to delicate workpieces. Hardness 85 Shore A, LABS-free (silicone-free). Strength class 8.8.



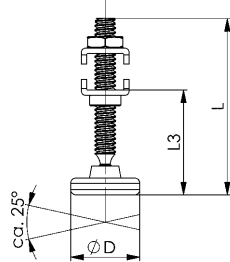
Order no.	Size	M x L	D	D1	L3	Weight [g]
99614	0	M4x34,5	10	-	11,5-22	6
99671	1	M5x38,0	13	10	17,0-24	11
99630	2	M6x46,0	16	10	20,0-27	17
92635	2	M6x60,0	16	10	20,0-40	22
92916	2	M6x110,0	16	10	20,0-90	60
99655	3	M8x63,0	18	13	27,0-37	39

No. 6875

Clamping screw

for open clamping arms, galvanized. For variable toggle clamps.

NEW!



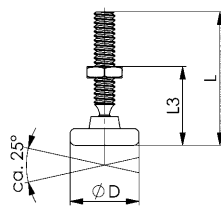
Order no.	Size	M x L	D	L3	Weight [g]
557079	1	M6 x 50	19	17 - 35	23
557080	2	M8 x 50	27	21 - 31	51
557081	3	M8 x 65	27	21 - 42	55

No. 6876

Clamping screw

for push-pull type toggle clamps, galvanized. For variable toggle clamps.

NEW!

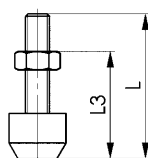


Order no.	Size	M x L	D	L3	Weight [g]
557086	1	M6 x 37	19	13 - 25	16
557087	2	M8 x 50	19	16 - 35	41

No. 6880

Clamping screw

for push-pull type clamps, tempered, tensile strength class 8.8, galvanized and passivated, with nut and removable rubber nose.



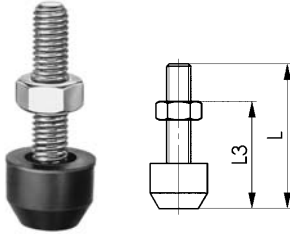
Order no.	Size	Screw DIN 933	L	L3	Weight [g]
98012	0+1	M 4x20	27	12-20	4
98038	2	M 6x25	35	17-25	15
98046	3	M 8x35	48	22-35	26
98053	5	M10x50	66	30-52	57
98061	7	M12x50	68	30-50	82
98475	8	M16x80	90	25-70	220

Subject to technical alterations.

No. 6880NI

Clamping screw

for push-pull type clamps,
stainless steel



Order no.	Size	Screw DIN 933	L	L3	Weight [g]
96008	0+1	M 4x20	27	12-20	4
96016	2	M 6x25	35	18-27	15
96024	3	M 8x35	48	22-35	26
96032	7	M12x50	68	30-50	82

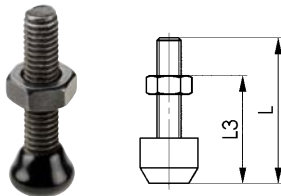
CAD



No. 6880B

Clamping screw, black

for push-pull type clamps,
matte-black, with nut and bonded pressure pad, strength class 8.8.



Order no.	Size	Screw DIN 933	L	L3	Weight [g]
99622	1	M4 x 20	23	10-17	4
99705	2	M6 x 25	35	17-25	15
492058	3	M8 x 44	44	26 - 33	26

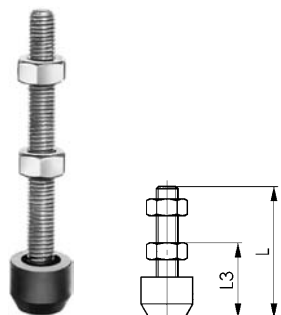
CAD



No. 6885

Clamping screw

for solid and fixed clamping arms,
tempered, tensile strength class 8.8, galvanized and passivated,
with 2 nuts and removable rubber nose.



Order no.	Size	Screw DIN 933	L	L3	Weight [g]
98517	1	M 5x 30	38	14-25	10
98525	2	M 6x 35	45	17-25	20
98533	3	M 8x 45	58	22-32	35
98541	4	M 8x 65	78	22-52	40
98558	5	M12x 80	98	30-60	130
98566	6	M12x110	128	30-88	160
98582	8	M16x120	130	25-84	280

CAD

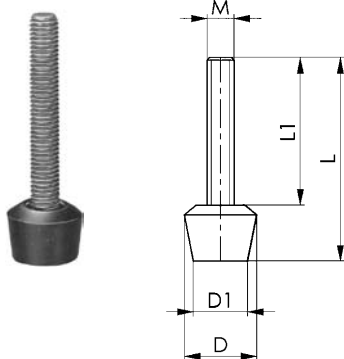


Subject to technical alterations.

No. 6894

Clamping screw

with a bonded pressure pad, made of oil resistant neoprene to prevent damage to delicate workpieces. Hardness 85 Shore A, LABS-free (silicone-free). Screw tempered, galvanized and passivated, strength class 8.8.



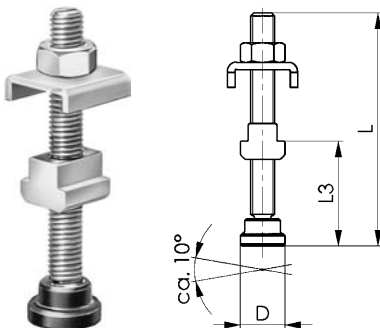
Order no.	M x L	D	D1	L1	Weight [g]
99408	M 4x 32	11	8	24	4
99416	M 5x 38	13	10	28	8
99390	M 6x 35	16	12	23	11
99424	M 6x 45	16	12	33	13
99556	M 6x 60	16	12	48	16
99432	M 8x 48	21	16	32	25
99499	M 8x 58	21	16	42	29
99440	M 8x 63	21	16	47	31
99457	M 8x 78	21	16	62	37
99580	M10x 66	26	20	46	53
99598	M10x 76	26	20	56	59
99606	M10x116	26	20	96	84
99465	M12x 70	31	24	46	78
99473	M12x100	31	24	76	105
99481	M12x130	31	24	106	131



No. 6891

Self-aligning clamping screw

for open clamping arms, tempered, galvanized and passivated. Sizes 1-3 with washer/nut-element. Sizes 4-6 with T-nut.



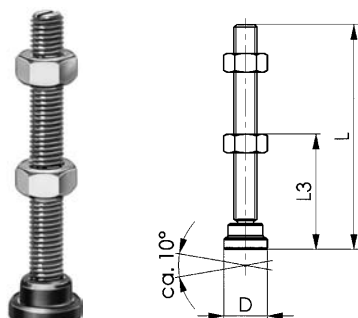
Order no.	Size	Screw DIN 6332	T-Nut DIN 508	Washer size	D	L	L3	Weight [g]
99119	1	M 5x 35	-	1	12	37	12-22	12
99127	2	M 6x 50	-	2	12	52	14-33	20
99135	3	M 8x 75	-	3	16	78	18-52	47
99143	4	M 8x 75	M 8x10	4	16	78	15-50	62
99168	6	M12x100	M12x14	6	25	105	25-62	183



No. 6886

Self-aligning clamping screw

for solid and closed clamping arms, tempered, galvanized and passivated.



Order no.	Size	Screw DIN 6332	D	L	L3	Weight [g]
98616	1	M 5x 35	12	37	8-23	9
98632	4	M 8x 75	16	78	16-52	42
98665	6	M12x100	25	105	30-61	138



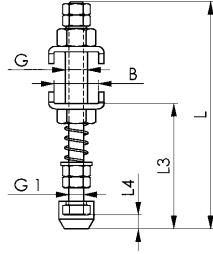
No. 6892

Spring loaded screw

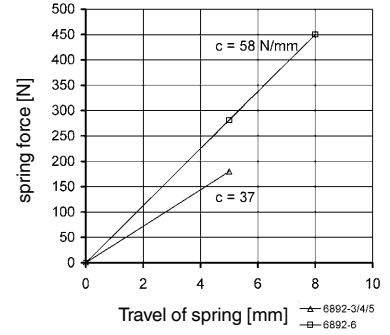
for open ended clamping arms, tempered, galvanized and passivated.



Order no.	Size	B	G	G1	Rubber nose	L	L3	L4	Weight [g]
99259	3	14,5	M 8	M5	6893-M5	90	39-52	5	55
99267	4	18,5	M 8	M5	6893-M5	90	40-53	5	63
99275	5	20,5	M 8	M5	6893-M5	90	40-48	5	64
99283	6	24,0	M12	M8	6893-M8	123	60-68	7	182



Spring rate:



CAD



No. 6893

Rubber nose

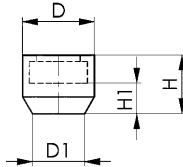
Made of oil resistant neoprene to prevent damage to delicate components. Hardness 70 Shore A. Fits the clamping screws no. 6880, no. 6885, no. 6890 and no. 6892, for placement on hexagon screw head ISO 272. Minimum order quantity is 10 pieces per size.



Order no.	Size	SW	D	D1	H	H1	Weight [g]
99309	M4	7	11,0	7	8,5	4,2	1
99325	M5	8	12,5	8	10,0	5,0	1
99333	M6	10	15,0	10	12,0	6,0	2
99341	M8	13	19,0	13	15,0	7,5	4
99358	M10	16	22,0	15	17,5	8,5	5
99374	M12-SW18	18*	25,0	18	20,0	9,5	8
99366	M12-SW19	19**	26,0	19	20,0	9,5	9
99382	M16	24	33,0	24	27,0	14,0	19

* According to new standard ISO 4017 (marked with a „6“ on its clamping face).

** According to old norm DIN 933.



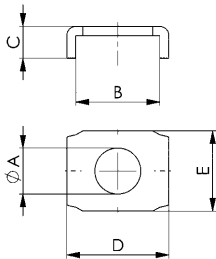
CAD



No. 6887

U-washer

galvanised and passivated.



Order no.	Size	dia. A	B	C	D	E	Weight [g]
557062	0	4,2	8,1	3,0	10,6	9	1
557074	1+2	6,3	11,5	4,4	14,0	11	2
557075	3	8,5	14,6	7,2	18,6	20	7

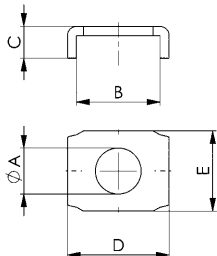
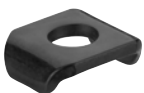
CAD



No. 6887B

U-washer

matte-black.



Order no.	Size	dia. A	B	C	D	E	Weight [g]
557076	1+2	6,3	11,5	4,4	14,0	11	2
557077	3	8,5	14,6	7,2	18,6	20	7

NEW!

Subject to technical alterations.

No. 6899

Clamping arm extension

for manual clamps,
Aluminium. Complete with fastening bolt. Without clamping screw.

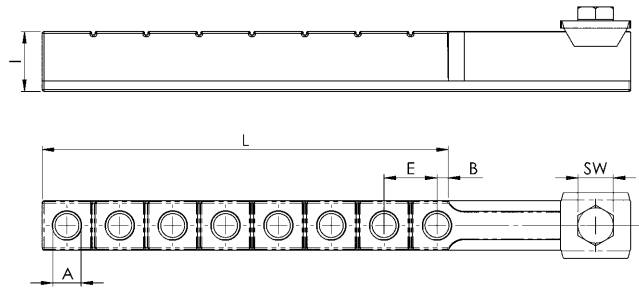
NEW!



Order no.	Size	A	B	E	I	L	SW	Weight [g]
557094	1	5 x M5	6	12	11	61	7	24
557095	2	6 x M6	8	15	14	90	8	47
557096	3	8 x M8	3	15	17	115	10	92

Note:

Can be shortened to desired length.



CAD



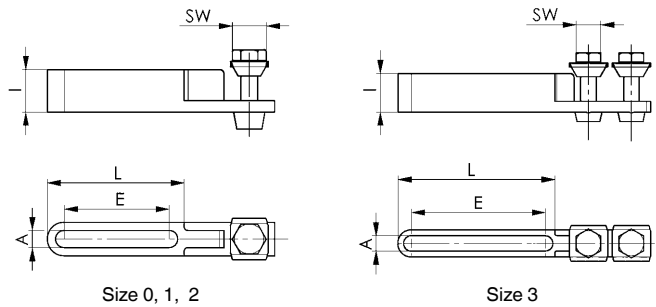
No. 6896

Clamping arm extension

for manual clamps,
steel, blued. Complete with fastening screw. Without clamping screw.



Order no.	Size	Clamping screw	A	E	I	L	SW	Weight [g]
94045	0	M4	4,2	25	10	32,5	7	15
94060	1	M5	5,2	45	12	55,0	8	25
94086	2	M6	6,2	65	14	73,5	10	40
94102	3	M8	8,2	70	20	82,0	13	80



CAD



Subject to technical alterations.

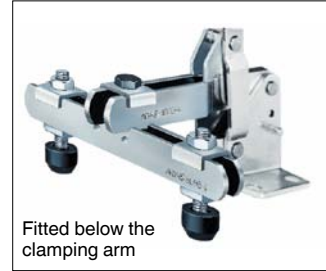
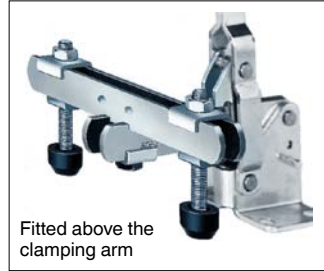
No. 6895

Supporting arm for toggle clamps

Galvanized and passivated, complete with two tempered clamping screws no. 6890 and fastening screw.



Order no.	Size	Screw DIN 933	Distance between screws	Length	Weight
				[mm]	[g]
99507	0	M 4x25	18- 60	70	40
99515	1	M 5x30	22- 72	85	65
99523	2	M 6x35	28- 85	100	90
99531	3	M 8x45	34-100	120	200
99549	4	M 8x65	40-125	150	370
99572	5	M 8x65	40-125	150	370
99564	6	M12x80	54-200	240	985



Application possibilities, in relation to toggle clamp size:

Item no. of toggle clamp	Size of supporting arm						
	0	1	2	3	4	5	6
6800	0	1	2	3	4	-	5+6
6800S/6802S	-	-	2	3	4	-	-
6802	-	1	2	3	4	-	-
6803	-	1	2	3	4	-	-
6803S	-	-	1	3	4	-	-
6820K	0	1	2	3	-	-	-
6830/6832	0	1	2	3	4	5	-
6830S/6832S	-	-	-	3	4	-	-
6833	-	1	2	3	4	-	-



No. 6820SIS

Proximity switch



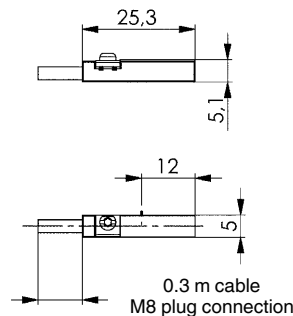
Order no.	Cable length	Weight
	[m]	[g]
392241	0,3	15

Application:

Proximity switch for end-position sensing.

Note:

PUR cable 0.3 m with M8 plug connection and rotating knurled nuts.
Switching function: NOC.
Output: PNP.



Subject to technical alterations.

No. 6848GH

Counter catch

for no. 6848H.
Galvanized and passivated.

Order no.	Size	F	dia. G	H	H1	K	L	N	Weight [g]
94821	2	11	5,2	12	18	8	26	18	16
94839	3	14	6,5	19	28	12	39	23	44
94847	4	19	8,5	26	38	17	56	30	108



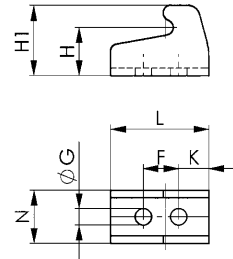
No. 6848GHNI

Counter catch

for no. 6848HNI.
Polished stainless steel.



Order no.	Size	F	dia. G	H	H1	K	L	N	Weight [g]
95638	2	11	5,2	12	18	8	26	18	16
95646	3	14	6,5	19	28	12	39	23	44
95653	4	19	8,5	26	38	17	56	30	108



No. 6848GV

Counter catch

for no. 6848V.
Galvanized and passivated.

Order no.	Size	F	dia. G	H	H1	K	L	N	Weight [g]
94854	2	11	5,2	5	12	5	26	18	14
94862	3	14	6,5	6	16	7	36	23	30
94870	4	19	8,5	8	22	9	48	30	66



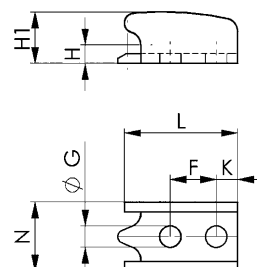
No. 6848GVNI

Counter catch

for no. 6848VNI.
Polished stainless steel.



Order no.	Size	F	dia. G	H	H1	K	L	N	Weight [g]
95661	2	11	5,2	5	12	5	26	18	14
95679	3	14	6,5	6	16	7	36	23	30
95687	4	19	8,5	8	22	9	48	30	66



Subject to technical alterations.

... BY ITEM NO.

Article no.	Page	Article no.	Page	Article no.	Page	Article no.	Page	Article no.	Page
No. 6800	10	No. 6804Y	16	No. 68300G	29	No. 6841B	110	No. 6848HSJ	76
No. 6800B	104	No. 6805	20	No. 68300J	28	No. 6841E	40	No. 6848HSNI	94
No. 6800BS	111	No. 6805E	20	No. 68300NI	84	No. 6841G	41	No. 6848HSNIE	94
No. 6800E	10	No. 6805G	21	No. 68300NIE	84	No. 6841J	40	No. 6848HSNIG	95
No. 6800G	11	No. 6805J	20	No. 68300NIG	85	No. 6841NI	86	No. 6848HSNIJ	94
No. 6800J	10	No. 6805T	21	No. 68300NIJ	84	No. 6841NIE	86	No. 6848HSNIT	95
No. 6800NI	78	No. 6805Y	20	No. 68300NIT	85	No. 6841NIG	87	No. 6848HSNIY	94
No. 6800NIE	79	No. 6806	18	No. 68300NIY	84	No. 6841NIJ	86	No. 6848HST	77
No. 6800NIG	79	No. 6806E	18	No. 68300T	29	No. 6841NIT	87	No. 6848HSY	76
No. 6800NIJ	78	No. 6806G	19	No. 68300Y	28	No. 6841NIY	86	No. 6848HT	55
No. 6800NIT	79	No. 6806J	18	No. 68301	148	No. 6841T	41	No. 6848HY	54
No. 6800NIY	78	No. 6806T	19	No. 68301NI	148	No. 6841Y	40	No. 6848V	56
No. 6800S	60	No. 6806Y	18	No. 6832	30	No. 6842	48	No. 6848VE	56
No. 6800SE	61	No. 6809P	24	No. 6832B	107	No. 6842E	48	No. 6848VG	57
No. 6800SG	61	No. 6810P	25	No. 6832BS	113	No. 6842G	49	No. 6848VJ	56
No. 6800SJ	60	No. 6811P	22	No. 6832E	30	No. 6842J	48	No. 6848VNI	96
No. 6800ST	61	No. 6812P	23	No. 6832G	31	No. 6842PK	50	No. 6848VNIE	96
No. 6800SY	60	No. 6815C	127	No. 6832J	30	No. 6842PL	51	No. 6848VNIG	97
No. 6800T	11	No. 6816CE	128	No. 6832S	70	No. 6842T	49	No. 6848VNIJ	96
No. 6800Y	10	No. 6820A	120	No. 6832SE	70	No. 6842Y	48	No. 6848VNIT	97
No. 6802	12	No. 6820K	119	No. 6832SG	71	No. 6843	46	No. 6848VNIY	96
No. 6802B	105	No. 6820SIS	154	No. 6832SJ	70	No. 6843NI	89	No. 6848VT	57
No. 6802BS	112	No. 6821A	121	No. 6832ST	71	No. 6844	44	No. 6848VY	56
No. 6802E	12	No. 6825C	122	No. 6832SY	70	No. 6844E	44	No. 6849PH	58
No. 6802G	13	No. 6825CE	123, 124	No. 6832T	31	No. 6844G	45	No. 6850	117
No. 6802J	12	No. 6826C	125	No. 6832Y	30	No. 6844J	44	No. 6860	38
No. 6802S	62	No. 6826CE	126	No. 6833	34	No. 6844NI	88	No. 6860E	39
No. 6802SE	62	No. 6828H	131	No. 6833E	34	No. 6844NIE	88	No. 6860G	39
No. 6802SG	63	No. 6828M	130	No. 6833G	35	No. 6844NIG	89	No. 6860J	38
No. 6802SJ	62	No. 6828SP	135, 137	No. 6833J	34	No. 6844NIJ	88	No. 6860P	118
No. 6802ST	63	No. 6828V	134, 136	No. 6833T	35	No. 6844NIT	89	No. 6860T	39
No. 6802SY	62	No. 6829AD	143	No. 6833Y	34	No. 6844NIY	88	No. 6860Y	38
No. 6802T	13	No. 6829BR/BL	140	No. 6834	32	No. 6844T	45	No. 6870	100
No. 6802Y	12	No. 6829ER/EL	142	No. 6834E	32	No. 6844Y	44	No. 6871	101
No. 6803	14	No. 6829GF	144	No. 6834G	33	No. 6845	46	No. 6872	101
No. 6803E	14	No. 6829KR/KL	139	No. 6834J	32	No. 6845B	110	No. 6873	102
No. 6803G	15	No. 6829N	144	No. 6834S	72	No. 6847	52	No. 6874	102
No. 6803J	14	No. 6829SP	143	No. 6834SE	72	No. 6847G	52	No. 6875	149
No. 6803NI	80	No. 6829V	129	No. 6834SG	73	No. 6847GK	53	No. 6876	149
No. 6803NIE	80	No. 6829W	145	No. 6834SJ	72	No. 6847GKNI	91	No. 6880	149
No. 6803NIG	81	No. 6829WS	146	No. 6834ST	73	No. 6847GNI	90	No. 6880B	150
No. 6803NIJ	80	No. 6829WSP	146	No. 6834SY	72	No. 6847K	53	No. 6880NI	150
No. 6803NIT	81	No. 6830	26	No. 6834T	33	No. 6847KNI	91	No. 6885	150
No. 6803NIY	80	No. 6830B	106	No. 6834Y	32	No. 6847NI	90	No. 6886	151
No. 6803S	64	No. 6830E	26	No. 6835BS-2	114	No. 6847S	75	No. 6887	152
No. 6803SE	64	No. 6830G	27	No. 6835BS-3	115	No. 6847SU	75	No. 6887B	152
No. 6803SG	65	No. 6830J	26	No. 6835B-2	108	No. 6848GH	155	No. 6890	148
No. 6803SJ	64	No. 6830NI	82	No. 6835B-3	109	No. 6848GHNI	155	No. 6890B	149
No. 6803ST	65	No. 6830NIE	82	No. 6837H	36	No. 6848GV	155	No. 6890NI	148
No. 6803SY	64	No. 6830NIG	83	No. 6837HE	37	No. 6848GVNI	155	No. 6891	151
No. 6803T	15	No. 6830NIJ	82	No. 6837HG	37	No. 6848H	54	No. 6892	152
No. 6803Y	14	No. 6830NIT	83	No. 6837HJ	37	No. 6848HE	54	No. 6893	152
No. 6804	16	No. 6830NIY	82	No. 6837HT	37	No. 6848HG	55	No. 6894	151
No. 6804E	16	No. 6830S	68	No. 6837HY	36	No. 6848HJ	54	No. 6895	154
No. 6804G	17	No. 6830SE	68	No. 6837M	36	No. 6848HNI	92	No. 6896	153
No. 6804J	16	No. 6830SG	69	No. 6840	42	No. 6848HNIE	92	No. 6897K	147
No. 6804S	66	No. 6830SJ	68	No. 6840E	42	No. 6848HNIG	93	No. 6897S	146
No. 6804SE	66	No. 6830ST	69	No. 6840G	43	No. 6848HNIJ	92	No. 6898V	147
No. 6804SG	67	No. 6830SY	68	No. 6840J	42	No. 6848HNIT	93	No. 6899	153
No. 6804SJ	66	No. 6830T	27	No. 6840S	74	No. 6848HNIY	92		
No. 6804ST	67	No. 6830Y	26	No. 6840T	43	No. 6848HS	76		
No. 6804SY	66	No. 68300	28	No. 6840Y	42	No. 6848HSE	76		
No. 6804T	17	No. 68300E	28	No. 6841	40	No. 6848HSG	77		

... BY ORDER NO.

Order no.	Page	Order no.	Page	Order no.	Page	Order no.	Page	Order no.	Page
392241	154	557039	26	557203	64	557344	30	557449	94
456400	107	557040	26	557204	64	557345	30	557450	96
482471	107	557041	26	557205	66	557346	32	557451	96
482497	107	557042	26	557206	68	557347	32	557452	96
492058	150	557043	26	557207	68	557348	32	557453	86
551715	28	557046	28	557209	70	557349	32	557454	88
551716	28	557047	28	557210	70	557350	34	557455	88
551717	28	557048	28	557211	72	557351	34	557456	88
551718	148	557062	152	557212	76	557352	34	557465	11
551719	148	557074	152	557213	78	557353	34	557466	11
551720	148	557075	152	557214	78	557357	37	557467	11
552552	28	557076	152	557215	78	557358	37	557468	11
552698	148	557077	152	557216	78	557359	37	557469	11
554878	100	557079	149	557217	78	557360	38	557470	11
554879	100	557080	149	557273	80	557361	38	557471	11
554880	100	557081	149	557274	82	557362	38	557472	13
554881	101	557086	149	557275	82	557373	40	557473	13
554882	101	557087	149	557276	82	557374	40	557474	13
554883	101	557094	153	557277	82	557375	40	557475	13
554884	101	557095	153	557278	82	557376	40	557476	13
554885	102	557096	153	557279	84	557377	40	557477	13
554886	102	557097	30	557280	84	557378	40	557479	15
554887	102	557098	30	557281	92	557389	42	557480	15
554888	102	557099	30	557282	92	557390	42	557481	15
555061	120	557100	30	557283	92	557391	42	557482	15
555062	120	557101	30	557284	94	557392	42	557483	17
555063	120	557102	30	557285	96	557393	42	557484	17
555064	120	557106	32	557286	96	557394	42	557485	17
555065	121	557108	32	557287	96	557397	44	557486	17
555066	121	557109	32	557288	86	557398	44	557487	19
555067	121	557110	32	557289	88	557399	44	557488	19
555083	131	557118	34	557290	88	557400	44	557489	19
555084	131	557119	34	557291	88	557403	48	557490	19
555085	131	557120	34	557301	10	557404	48	557491	21
555170	131	557121	34	557302	10	557405	54	557492	27
555171	131	557125	36	557303	10	557406	54	557493	27
555172	131	557126	36	557304	10	557407	54	557494	27
555175	84	557127	36	557305	10	557408	56	557495	27
555176	84	557143	38	557306	10	557409	56	557496	27
555177	148	557144	38	557307	10	557411	56	557497	27
555178	148	557145	38	557310	12	557417	60	557498	29
555182	147	557147	40	557311	12	557418	60	557499	29
555183	147	557148	40	557312	12	557419	60	557500	29
555184	147	557149	40	557313	12	557420	62	557501	31
555185	147	557150	40	557314	12	557421	62	557502	31
557009	10	557151	40	557315	12	557422	62	557503	31
557010	10	557152	40	557318	14	557423	64	557504	31
557011	10	557161	42	557319	14	557424	64	557505	31
557012	10	557162	42	557320	14	557425	64	557506	31
557013	10	557163	42	557321	14	557426	66	557507	33
557014	10	557164	42	557322	16	557427	68	557508	33
557015	10	557165	42	557323	16	557428	68	557509	33
557018	12	557166	42	557324	16	557429	70	557510	33
557019	12	557167	44	557325	16	557430	70	557511	35
557020	12	557168	44	557326	18	557431	72	557512	35
557021	12	557169	44	557327	18	557432	76	557513	35
557022	12	557170	44	557328	18	557433	78	557514	35
557023	12	557171	48	557329	18	557434	78	557525	37
557024	14	557172	48	557330	20	557435	78	557526	37
557025	14	557173	54	557331	26	557436	78	557527	37
557026	14	557174	54	557332	26	557437	78	557528	39
557027	14	557175	54	557333	26	557438	80	557529	39
557028	16	557176	56	557334	26	557439	82	557530	39
557029	16	557177	56	557335	26	557440	82	557531	41
557030	16	557178	56	557336	26	557441	82	557532	41
557031	16	557179	60	557337	28	557442	82	557533	41
557032	18	557180	60	557338	28	557443	82	557534	41
557033	18	557181	60	557339	28	557444	84	557535	41
557034	18	557182	62	557340	30	557445	84	557536	41
557035	18	557183	62	557341	30	557446	92	557537	43
557037	20	557184	62	557342	30	557447	92	557538	43
557038	26	557202	64	557343	30	557448	92	557539	43

Order no.	Page	Order no.	Page	Order no.	Page	Order no.	Page	Order no.	Page
557540	43	557637	16	557751	72	558019	33	558187	89
557541	43	557638	16	557752	76	558020	33	558188	89
557542	43	557650	18	557753	79	558021	35	90001	10
557548	45	557651	18	557754	79	558022	35	90019	10
557549	45	557652	18	557755	79	558023	35	90027	10
557550	45	557653	18	557756	79	558024	35	90035	10
557551	45	557654	20	557757	79	558025	37	90043	10
557561	49	557655	26	557759	81	558026	37	90050	10
557562	49	557656	26	557760	82	558027	37	90068	10
557563	55	557657	26	557761	82	558028	39	90134	60
557564	55	557658	26	557762	82	558029	39	90142	60
557565	55	557659	26	557763	82	558030	39	90159	60
557566	57	557660	26	557764	82	558031	41	90167	104
557567	57	557668	28	557765	84	558032	41	90175	104
557568	57	557669	28	557766	84	558033	41	90183	104
557569	61	557670	28	557767	92	558034	41	90191	104
557570	61	557671	30	557768	92	558035	41	90209	62
557571	61	557672	30	557769	92	558036	41	90217	12
557572	63	557673	30	557770	94	558037	43	90225	12
557573	63	557674	30	557771	96	558038	43	90233	12
557574	63	557675	30	557772	96	558039	43	90241	12
557575	65	557676	30	557773	96	558040	43	90258	12
557576	65	557678	32	557774	86	558041	43	90266	12
557577	65	557679	32	557775	88	558042	43	90274	62
557578	67	557680	32	557776	88	558046	45	90282	62
557579	69	557681	32	557777	88	558047	45	90290	107
557580	69	557682	34	557930	28	558048	45	90308	107
557581	71	557683	34	557935	28	558049	45	90316	14
557582	71	557684	34	557936	29	558054	49	90324	14
557583	73	557685	34	557937	28	558055	49	90332	14
557584	77	557686	37	557963	11	558056	55	90340	14
557586	79	557687	37	557964	11	558057	55	90357	64
557587	79	557688	37	557965	11	558058	55	90365	64
557588	79	557689	39	557966	11	558126	57	90373	64
557589	79	557690	39	557967	11	558127	57	90381	107
557590	79	557691	39	557968	11	558128	57	90399	66
557595	80	557692	40	557969	11	558129	61	90407	66
557596	83	557693	40	557970	13	558130	61	90415	105
557597	83	557694	40	557971	13	558131	61	90423	106
557598	83	557695	40	557972	13	558136	63	90431	16
557599	83	557696	40	557973	13	558137	63	90449	16
557600	83	557697	40	557974	13	558138	63	90456	16
557601	85	557699	42	557975	13	558149	65	90464	16
557602	85	557700	42	557977	15	558150	65	90472	105
557603	93	557701	42	557978	15	558151	65	90480	106
557604	93	557702	42	557979	15	558155	67	90498	105
557605	93	557703	42	557980	15	558156	69	90506	106
557606	95	557704	42	557981	17	558157	69	90514	20
557607	97	557710	44	557982	17	558158	71	90522	106
557608	97	557711	44	557983	17	558159	71	90530	107
557609	97	557712	44	557984	17	558160	73	90548	110
557610	87	557713	44	557985	19	558161	77	90555	18
557611	89	557714	48	557986	19	558164	79	90563	18
557612	89	557715	48	557987	19	558165	79	90571	18
557613	89	557718	54	557988	19	558166	79	90589	18
557615	10	557719	54	557989	21	558167	79	90597	146
557616	10	557720	54	557991	27	558168	79	90613	147
557617	10	557721	56	557992	27	558169	81	90639	147
557618	10	557722	56	557993	27	558170	83	90662	115
557619	10	557723	56	557994	27	558171	83	90670	108
557620	10	557724	61	557995	27	558172	83	90696	109
557621	10	557725	61	557996	27	558173	83	90712	114
557622	12	557726	61	557997	29	558174	83	90738	24
557623	12	557735	62	557998	29	558175	85	90746	24
557624	12	557736	62	557999	29	558176	85	90753	24
557625	12	557737	62	558000	29	558178	93	90761	24
557626	12	557738	64	558010	31	558179	93	90779	24
557627	12	557739	64	558011	31	558180	93	90787	118
557630	14	557740	64	558012	31	558181	95	90803	25
557631	14	557746	66	558013	31	558182	97	90811	25
557632	14	557747	68	558014	31	558183	97	90829	25
557633	14	557748	68	558015	31	558184	97	90837	25
557635	16	557749	70	558017	33	558185	87	90845	25
557636	16	557750	70	558018	33	558186	89	90878	22

Order no.	Page	Order no.	Page	Order no.	Page	Order no.	Page	Order no.	Page
90886	22	92247	124	93245	30	94540	52	98053	149
90894	22	92254	124	93252	30	94565	52	98061	149
90902	23	92262	125	93260	70	94623	52	98475	149
90910	23	92270	125	93328	34	94649	52	98517	150
90928	23	92288	125	93336	34	94664	52	98525	150
91280	110	92296	126	93427	32	94672	53	98533	150
91314	22	92304	126	93435	32	94680	53	98541	150
91330	23	92312	126	93443	32	94698	54	98558	150
91348	111	92320	128	93450	32	94706	54	98566	150
91397	140	92338	128	93484	139	94714	54	98582	150
91405	140	92346	128	93492	139	94755	56	98616	151
91413	140	92353	137	93500	139	94763	56	98632	151
91421	140	92361	145	93518	139	94771	56	98665	151
91439	140	92379	137	93526	139	94821	155	99002	148
91447	140	92387	145	93534	72	94839	155	99010	148
91454	140	92395	137	93542	34	94847	155	99028	148
91462	140	92403	143	93559	139	94854	155	99036	148
91470	75	92411	143	93567	139	94862	155	99044	148
91488	118	92429	143	93575	139	94870	155	99051	148
91496	140	92437	143	93583	139	95000	78	99069	148
91504	140	92445	145	93591	139	95026	78	99077	148
91512	140	92452	143	93609	129	95034	117	99085	148
91520	140	92460	145	93617	129	95042	78	99119	151
91538	140	92478	145	93625	129	95059	117	99127	151
91546	140	92486	143	93633	129	95067	78	99135	151
91553	140	92494	143	93641	129	95075	117	99143	151
91561	140	92502	143	93658	94	95083	78	99168	151
91579	145	92544	50	93666	75	95091	89	99259	152
91595	145	92569	50	93674	143	95133	80	99267	152
91603	146	92585	50	93682	143	95141	82	99275	152
91611	145	92601	50	93690	143	95158	89	99283	152
91629	146	92619	74	93708	143	95166	82	99309	152
91637	145	92627	51	93716	143	95174	89	99325	152
91645	146	92635	149	93831	38	95182	82	99333	152
91652	145	92643	51	93849	58	95190	89	99341	152
91660	146	92650	68	93856	58	95208	82	99358	152
91678	146	92668	51	93864	38	95224	82	99366	152
91686	146	92676	44	93880	38	95265	86	99374	152
91694	146	92684	51	93906	42	95299	86	99382	152
91702	146	92692	76	93914	42	95349	88	99390	151
91710	119	92809	142	93922	42	95364	88	99408	151
91728	119	92817	142	93930	42	95380	88	99416	151
91736	119	92825	142	93948	36	95406	90	99424	151
91744	119	92833	142	93955	42	95422	90	99432	151
91751	146	92841	142	94003	46	95448	90	99440	151
91793	146	92858	142	94011	46	95455	91	99457	151
91835	134	92866	142	94029	46	95463	90	99465	151
91843	130	92874	142	94037	46	95489	90	99473	151
91850	136	92882	142	94045	153	95505	90	99481	151
91868	130	92890	142	94052	46	95521	92	99499	151
91876	136	92916	149	94060	153	95547	92	99507	154
91884	130	92924	144	94086	153	95562	92	99515	154
91892	136	92932	144	94094	40	95588	96	99523	154
91900	135	92940	144	94102	153	95596	91	99531	154
91959	137	92957	144	94110	40	95604	96	99549	154
92007	135	92973	144	94128	40	95620	96	99556	151
92056	137	93005	26	94136	40	95638	155	99564	154
92072	137	93013	26	94144	36	95646	155	99572	154
92080	135	93021	26	94151	40	95653	155	99580	151
92098	137	93039	26	94201	36	95661	155	99598	151
92106	123	93047	26	94235	48	95679	155	99606	151
92114	137	93054	26	94243	46	95687	155	99614	149
92122	123	93062	144	94250	48	96008	150	99622	150
92130	137	93070	144	94268	36	96016	150	99630	149
92148	127	93088	144	94276	48	96024	150	99648	113
92155	127	93096	144	94284	36	96032	150	99655	149
92163	118	93104	144	94292	36	96040	148	99663	110
92171	127	93112	68	94300	44	96057	148	99671	149
92189	127	93179	34	94318	44	96065	148	99689	112
92197	127	93195	70	94334	44	96073	148	99705	150
92205	122	93203	30	94359	42	96081	148		
92213	122	93211	30	94367	40	98012	149		
92221	122	93229	30	94391	46	98038	149		
92239	124	93237	30	94524	52	98046	149		

... IN ALPHABETICAL ORDER

Description	Page
A	
Adapter	143
Angle base, solid	46, 89
B	
Black handle, removable	37
Blue handle, removable	37
C	
Clamp arm	135, 137, 146
Clamping arm	143
Clamping arm extension	153
Clamping screw	148, 149, 150, 151
Clamping screw, black	149, 150
Combi-clamp, pneumatic	118
Combination clamp with black handle	39
Combination clamp with blue handle	39
Combination clamp with green handle	39
Combination clamp with orange handle	38
Combination clamp with red handle	38
Combination clamp with yellow handle	38
Counter catch	52, 53, 90, 91, 155
G	
Green handle, removable	37
Grooved nut (DIN 70852)	144
H	
Heavy hook type toggle clamp	58
Heavy pneumatic toggle clamp	122 -126, 134, 136
Heavy push-pull type toggle clamp	50, 51
Heavy vertical toggle clamp	22, 23
Heavy-duty push-pull type toggle clamp with black handle	49
Heavy-duty push-pull type toggle clamp with blue handle	48
Heavy-duty push-pull type toggle clamp with green handle	49
Heavy-duty push-pull type toggle clamp with orange handle	48
Heavy-duty push-pull type toggle clamp with red handle	48
Heavy-duty push-pull type toggle clamp with yellow handle	48
Hook type toggle clamp	52, 53, 90, 91
Hook type toggle clamp with safety latch	75
Horizontal acting toggle clamp	36
Horizontal hook-type toggle clamp with black handle	55, 93
Horizontal hook-type toggle clamp with black handle and safety latch	77, 95
Horizontal hook-type toggle clamp with blue handle	54, 92
Horizontal hook-type toggle clamp with blue handle and safety latch	76, 94
Horizontal hook-type toggle clamp with green handle	55, 93
Horizontal hook-type toggle clamp with green handle and safety latch	77, 95
Horizontal hook-type toggle clamp with orange handle	54, 92
Horizontal hook-type toggle clamp with orange handle and safety latch	76, 94
Horizontal hook-type toggle clamp with red handle	54, 92
Horizontal hook-type toggle clamp with red handle and safety latch	76, 94
Horizontal hook-type toggle clamp with yellow handle	54, 92
Horizontal hook-type toggle clamp with yellow handle and safety latch	76, 94
Horizontal toggle clamp, black	106, 107, 108, 109
Horizontal toggle clamp plus with black handle	29, 85
Horizontal toggle clamp plus with blue handle	28, 84
Horizontal toggle clamp plus with green handle	29, 85
Horizontal toggle clamp plus with orange handle	28, 84
Horizontal toggle clamp plus with red handle	28, 84
Horizontal toggle clamp plus with yellow handle	28, 84
Horizontal toggle clamp with black handle	27, 31, 33, 35, 83
Horizontal toggle clamp with black handle and safety latch	69, 71, 73
Horizontal toggle clamp with blue handle	26, 30, 32, 34, 82
Horizontal toggle clamp with blue handle and safety latch	68, 70, 72
Horizontal toggle clamp with green handle	27, 31, 33, 35, 83
Horizontal toggle clamp with green handle and safety latch	69, 71, 73
Horizontal toggle clamp with orange handle	26, 30, 32, 34, 82
Horizontal toggle clamp with orange handle and safety latch	68, 70, 72
Horizontal toggle clamp with red handle	26, 30, 32, 34, 82
Horizontal toggle clamp with red handle and safety latch	68, 70, 72
Horizontal toggle clamp with safety latch, black	113, 114, 115
Horizontal toggle clamp with variable clamping height	100, 101

Description	Page
Horizontal toggle clamp with yellow handle	26, 30, 32, 34, 82
Horizontal toggle clamp with yellow handle and safety latch	68, 70, 72
L	
Link Clamp, pneumatic, flange-mounting version	129
M	
Modular clamp	24, 25
O	
Orange handle, removable	37
P	
Plug connection for sensor monitor	147
Pneumatic clamp	120, 121
Pneumatic clamp with lever	131
Pneumatic toggle clamp	119, 130
Proximity switch	154
Push type pneumatic toggle clamp	117
Push-pull type toggle clamp	46
Push-pull type toggle clamp, black	110
Push-pull type toggle clamp with black handle	41, 43, 45, 87, 89
Push-pull type toggle clamp with blue handle	40, 42, 44, 86, 88
Push-pull type toggle clamp with green handle	41, 43, 45, 87, 89
Push-pull type toggle clamp with orange handle	40, 42, 44, 86, 88
Push-pull type toggle clamp with red handle	40, 42, 44, 86, 88
Push-pull type toggle clamp with safety latch	74
Push-pull type toggle clamp with variable clamping height	102
Push-pull type toggle clamp with yellow handle	40, 42, 44, 86, 88
R	
Red handle, removable	36
Rotatable base unit	147
Rubber nose	152
S	
Self-aligning clamping screw	151
Sensor monitor	146
Spring loaded screw	152
Supporting arm for toggle clamps	154
Swing clamp, pneumatic, block version	140
Swing clamp, pneumatic, flange-mounting version	139
Swing clamp, pneumatic, screw-in version	142
Swing Clamp with welding protection, pneumatic	145
T	
Threaded flange	144
Toggle clamp element	127, 128
U	
U-washer	152
V	
Vertical hook-type toggle clamp with black handle	57, 97
Vertical hook-type toggle clamp with blue handle	56, 96
Vertical hook-type toggle clamp with green handle	57, 97
Vertical hook-type toggle clamp with orange handle	56, 96
Vertical hook-type toggle clamp with red handle	56, 96
Vertical hook-type toggle clamp with yellow handle	56, 96
Vertical toggle clamp, black	104, 105
Vertical toggle clamp with black handle	11, 13, 15, 17, 19, 21, 79, 81
Vertical toggle clamp with black handle and safety latch	61, 63, 65, 67
Vertical toggle clamp with blue handle	10, 12, 14, 16, 18, 20, 79, 80
Vertical toggle clamp with blue handle and safety latch	61, 62, 64, 66
Vertical toggle clamp with green handle	11, 13, 15, 17, 19, 21, 79, 81
Vertical toggle clamp with green handle and safety latch	61, 63, 65, 67
Vertical toggle clamp with orange handle	10, 12, 14, 16, 18, 20, 78, 80
Vertical toggle clamp with orange handle and safety latch	60, 62, 64, 66
Vertical toggle clamp with red handle	10, 12, 14, 16, 18, 20, 78, 80
Vertical toggle clamp with red handle and safety latch	60, 62, 64, 66
Vertical toggle clamp with safety latch, black	111, 112
Vertical toggle clamp with yellow handle	10, 12, 14, 16, 18, 20, 78, 80
Vertical toggle clamp with yellow handle and safety latch	60, 62, 64, 66
W	
Welding protection	146
Y	
Yellow handle, removable	36

WE GENERATE EXCITEMENT - ON YOUR MOBILE DEVICE TOO

The "Clamping technology APP" offers you an overview of AMF's exciting clamping product range. No matter whether mechanical, pneumatic, hydraulic or magnetic clamping technology, as well as vacuum and zero point clamping systems - all the products are presented in detail in this APP, and you can see the numerous application options of AMF clamping technology at a glance.

All products can be downloaded as 2D and 3D CAD models, and be conveniently imported into all standard CAD programs.

Also stay up-to-date and read our news and PDF catalogues on your mobile device.

Test it now by downloading our clamping technology APP free-of-charge from the Apple App Store or Google Play.



**THE CLAMPING TECHNOLOGY APP -
FIND PRODUCTS, DOWNLOAD
CAD DATA, STAY INFORMED...**



These Terms of Payment apply for companies, legal entities governed by public law and public law special funds. Our goods and services are supplied exclusively on the basis of the following conditions. Any deviating purchasing conditions of the customer not expressly recognised by us will not become part of the contract through acceptance of the order. By placing the order and accepting the goods we deliver, the customer confirms its consent to our terms and conditions.

1. Offer and contractual conclusion

All our offers are always subject to change without notice unless otherwise explicitly agreed. Our delivery contracts are based on the latest version of our catalogue. Dimension and weight values, as well as illustrations, drawings and data, are non-binding and can be changed by us at any time. Therefore, deviations cannot be ruled out and do not justify any compensation claims against us.

Orders are considered accepted only when confirmed by us in writing. If, for organisational reasons, the customer does not receive a separate confirmation upon the delivery of goods, the invoice shall also be deemed the order confirmation.

2. Prices

The prices are in EURO, ex-works, excluding VAT, packing, freight, postage and insurance. Unless otherwise agreed, our list prices valid on the day of delivery shall apply. For orders below 50 EUR goods net, we must make a minimum quantity surcharge of a 10 EURO for cost reasons.

3. Tool costs

Unless any other agreements have been reached, the tools fabricated for the purpose of executing the order shall remain our property in all cases, even if we have invoiced a tool cost component separately.

4. Payment

Unless otherwise stated on the invoice, the purchase price falls due for net payment within 30 days of the invoice date (without deduction of discount). Invoice amounts of below 50 EURO are due for payment immediately.

In case of payment default, we shall be entitled to charge default interest. The amount corresponds to our interest rate for current account credits at our main bank; the minimum however being 8 percentage points above the relevant base interest rate applied by the European Central Bank. Moreover, in case of default following written notice to the customer, we shall be entitled to cease to fulfil our obligations until payments are received.

5. No set-off

The customer can set-off only with legally confirmed or undisputed counterclaims.

6. Right of withdrawal in case of delayed acceptance or payment and insolvency

If the customer fails to accept the goods in due time, we shall be entitled to set a reasonable period of grace, after which we can dispose of the goods elsewhere and supply the customer on a reasonably longer term. Our rights to withdraw from the contract under the provisions of Section 326 BGB and demand damages for non-performance shall not be affected. If the customer fails to pay for the goods once payment is due, we shall be entitled, at the end of a reasonable period of grace we have set, to withdraw from the contract and demand the return of any goods already supplied. Section 323 BGB remains unaffected in all other cases.

If the customer applies for the opening of insolvency proceedings, we shall be entitled, prior to the ordering of security measures by the insolvency court, to withdraw from the contract and demand the immediate return of the goods.

7. Customer-specific fabrications/project fabrications (custom fabrications)

Customer-specific fabrications require binding information on design, quantity etc. in written form at the time of ordering. For manufacturing reasons, we reserve the right to supply up to 10% above or below the order quantity. Technical modifications or cancellations are subject to any costs incurred. The return of customer-specific fabrications is impossible.

8. Delivery and packaging, transfer of risk

The delivery date is non-binding; although stated to the best of our knowledge. It is subject to us receiving correct, defect-free and complete deliveries. The stated delivery dates relate to completion in the factory, starting on the day the order is accepted by us. Delivery is EXW (ex-works) in accordance with Incoterms 2010. Therefore, the costs are borne by the customer. The risk is transferred to the customer when the goods are passed to the person, company or facility nominated to execute the shipment. This applies also for partial deliveries, or if we have assumed responsibility for delivery and installation. The risk shall be transferred to the customer even in the case of delayed acceptance.

In the absence of specific shipping instructions, we shall proceed as we deem fit and without any obligation to the cheapest or most expedient method. The customer agrees that the order can also be delivered in parts, insofar as this is reasonable for the customer. We shall charge a 5 EURO processing fee for shipping to third parties that we supply on behalf of the customer.

The packaging complies with the packaging ordinance. Disposable packaging shall be charged at cost price. The packaging cannot be taken back.

9. Performance impediment and/or impossibility

If we are hindered in the fulfilment of our obligation due to the onset of unforeseeable circumstances, which we are unable to avoid despite reasonable effort in relation to the nature of the circumstances (e.g. operational interruption, delay in the delivery of important raw materials, defects in the delivery), the delivery time shall be extended by a reasonable period, insofar as the supply of goods or services is not rendered unreasonably difficult or impossible.

If we have to accept that these circumstances are not only temporary, we shall be entitled to withdraw from the contract either in whole or in part.

If the supply of goods or services becomes impossible, the customer shall not be obliged to furnish its own contractual service. Section 275 BGB applies mutatis mutandis. If, however, the customer is solely or predominantly responsible for the

circumstances that led to impossibility, it shall remain under an obligation to render the return service. The same applies if this circumstance occurs at a time when the customer is behind schedule with acceptance.

10. Samples/returns

Samples shall be provided only against payment. If samples or models are provided, a credit note shall be issued with the subsequent order if the order value is 125 EURO net or more. Goods can be returned only by agreement, although custom fabrications are excluded from such return.

In the case of returns for which we are not responsible (e.g. incorrect order), we shall charge a processing fee of 10%, the minimum value, however, being 7.50 EURO.

11. Retention of title

The goods shall remain our property unless full payment of all claims and/or until the cheques provided for this purpose are honoured. The itemisation of claims in an ongoing invoice, as well as balancing the account and the recognition thereof does not affect the retention of title. The customer is entitled to sell on the retained goods during the ordinary course of business. However, the customer is not permitted to pledge the goods or transfer them by way of security. It shall assign its claim ensuing from the selling on of the retained goods to us in advance. The customer shall be entitled to collect the claim to the extent that it has fulfilled its obligations towards us. At our request, the customer shall be obliged to state third-party debtors and we shall be entitled to report this and the assignment.

12. Property rights

We reserve property rights and copyrights to all contractual documents such as drafts, drawings, calculations and cost estimates. Such documents must not be reproduced or disclosed to third parties without our consent. Any rights to patents, utility models etc. reside solely with us, insofar as such patents have not yet been filed. Our products are allowed to be replicated only with our written consent.

If objects are fabricated according to drawings or samples, the customer shall warrant that any third party property rights are not infringed by manufacture or delivery. If a third party forbids manufacture and delivery on account of property rights, we shall be entitled to stop manufacture and delivery immediately. The customer shall be obliged to reimburse us with all costs incurred and indemnify us from third party compensation claims. Compensation claims by the customer are impossible.

13. Warranty

If the customer agrees with us a particular quality of the goods, we shall base this agreement on our technical delivery specifications. If we have to deliver according to customer drawings, specifications, samples etc., the customer shall assume the risk for suitability for the intended purpose. If, after the contract is concluded, the scope of goods or services is changed at the customer's request and this impairs the quality or suitability of the goods, claims for defects on the part of the customer shall be ruled out, insofar as such impairments are caused by the customer's requests for change. The time at which the risk is transferred is decisive for the contractual state of the goods. Wear and tear of wearing parts caused by ordinary use does not constitute a defect. Claims for defects are ruled out in the following cases in particular: Unsuitable or improper use, incorrect installation and/or commissioning by the customer or third party, normal wear and tear, incorrect or negligent handling - in particular excessive use -, unsuitable equipment, replacement materials, chemical, electrochemical or electrical influences, unless such defects are caused by ourselves.

If the goods contain a defects, we shall provide, following a reasonable period of grace set by the customer, either a replacement or a repair as we deem fit. If such subsequent performance fails, the customer shall be entitled to either reduce the purchase price or withdraw from the contract. Any further warranty claims are ruled out. In case of negligible deviations from the agreed quality, no claims for defects shall be recognised.

The discovery of defects must be communicated to us immediately in writing. In the case of recognisable defects, however, within 10 days of acceptance, in the case of non-recognisable defects immediately after they become evident. The warranty is 12 months, starting with delivery of the goods ex-works.

14. Liability

With the exception of harm to life, body or health on account of a breach of duty by ourselves, our liability shall be limited to intent or gross negligence.

15. Place of fulfilment, place or jurisdiction and governing law

The place of fulfilment for all obligations ensuing from this contractual relationship is D-70734 Fellbach.

The place of jurisdiction for all legal disputes ensuing from the contractual relationship is the court responsible for the headquarters of Andreas Maier GmbH & Co. KG.

All disputes ensuing from the contract or regarding the validity thereof shall be finally decided by a court of arbitration in accordance with the Court of Arbitration Ordinance of the German Committee for Arbitration Court Procedures or the Conciliation and Arbitration Arrangement of the International Chamber of Commerce, recourse to ordinary courts of law being excluded. The legal dunning process, however, remains permissible.

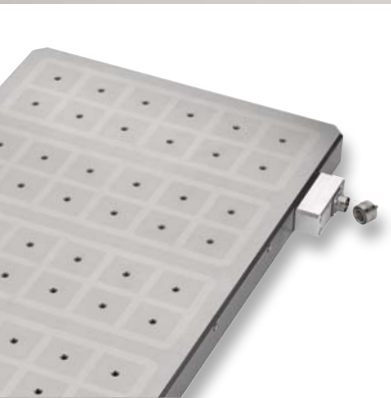
German law shall govern (BGB and HGB). The applicability of the UN Convention on Contracts for the International Sale of Goods (CISG) is ruled out.

16. Severability clause

If individual provisions become legally invalid, the remaining provisions shall not be affected. The legally invalid provision shall be replaced by regulations that most closely reflect the economic purpose of the contract with reasonable consideration for the mutual interests. The publication of these Terms of Sale, Delivery and Payment renders all previous versions invalid. This does not apply for any contracts concluded prior to announcement.

TOGGLE CLAMPS, MANUAL AND PNEUMATIC CATALOGUE 2018

Request additional catalogues from www.amf.de



MAGNETIC CLAMPING SYSTEMS



HYDRAULIC CLAMPING SYSTEMS



„ZERO-POINT“ CLAMPING SYSTEM



MODULAR FIXTURE SYSTEMS



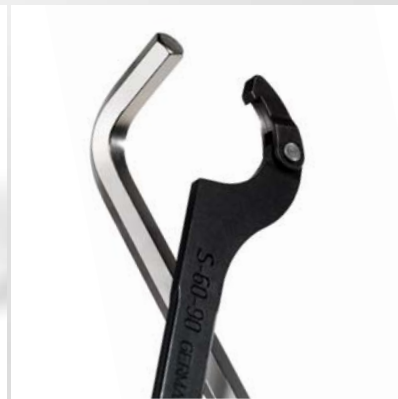
TOGGLE CLAMPS



VACUUM CLAMPING SYSTEMS



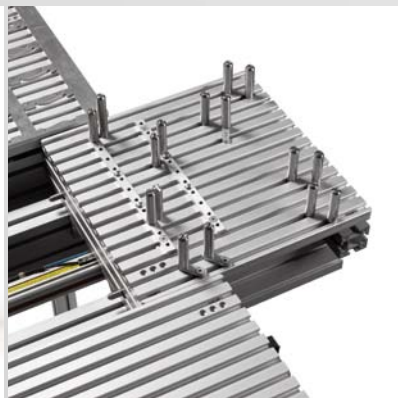
STANDARD CLAMPING ELEMENTS



HAND TOOLS



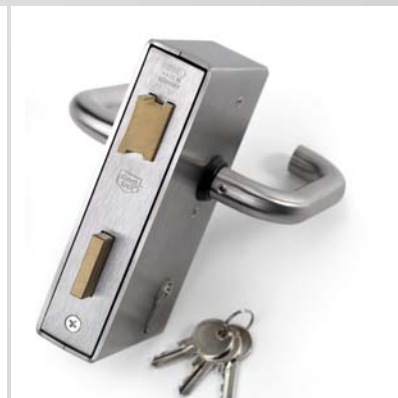
MARKING AND CLEANING TOOLS



PALLET FEED SYSTEMS



GRIPPER



LOCKS FOR DOORS AND GATES



ANDREAS MAIER GmbH & Co. KG

Waiblinger Straße 116 · D-70734 Fellbach

Phone: +49 711 5766-0

Fax: +49 711 575725

E-mail: amf@amf.de

Web: www.amf.de

Order no. 462978 · € 3,60